

FEATURES

- Extremely Small Size
- Low Cost
- 1.4mm Height Max
- Tape and Reel (3,000 pcs. STD)

DISCONTINUED

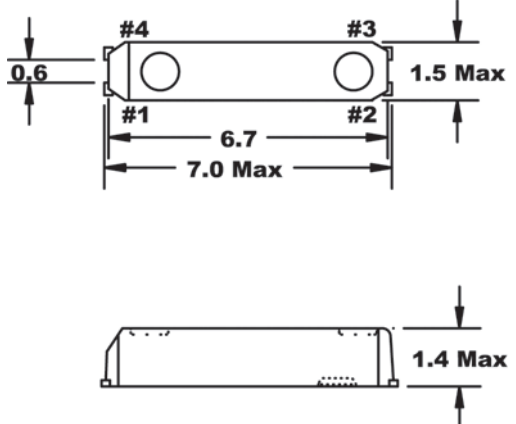
Quote It!



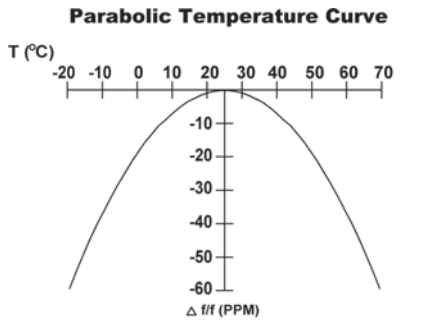
• PART NUMBER Learn More - Internet Required				
Part Number	Model Number	Frequency Stability	Operating Temperature	Frequency
501-Frequency-xxxxx	FSX	-0.04PPM/(Δ°C) ²	-40 ~ +85 °C	32.768 kHz

Learn more about:
[Part Marking Identification](#)
[Tape and Reel Specification](#)
Internet required

• STANDARD SPECIFICATIONS	
PARAMETERS	MAX (unless otherwise noted)
Frequency Range	32.768 kHz
Frequency Tolerance @ 25°C	±20 PPM
Frequency Stability, ref @ 25°C	-0.04PPM/(Δ°C) ²
Temperature Range	
Turnover (T _O)	+20°C ~ +30°C
Operating (T _{OPR})	-40°C ~ +85°C
Storage (T _{STG})	-55°C ~ +125°C
Equivalent Series Resistance	65 kΩ
Load Capacitance (CL)	7 pF, 12.5pF Typ
Insulation Resistance @ 100V _{DC}	500 MΩ Min
Drive Level	1.0 μW
Aging	±3 PPM

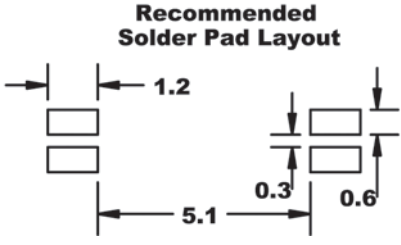
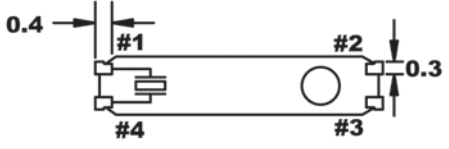


All specifications subject to change without notice. Rev. 7/12/04



To determine frequency stability, use parabolic curvature (K).
 For example: What is stability at 45°C?

- 1) Change in T (°C) = 45-25 = 20°C
- 2) Change in frequency = -0.04 PPM * (Δ C)²
 = -0.04 PPM * (20)²
 = -16.0 PPM



All dimensions are in millimeters.