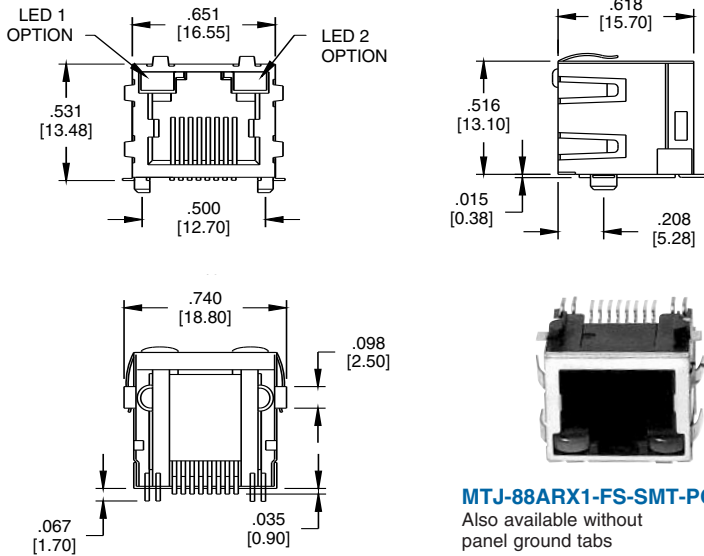


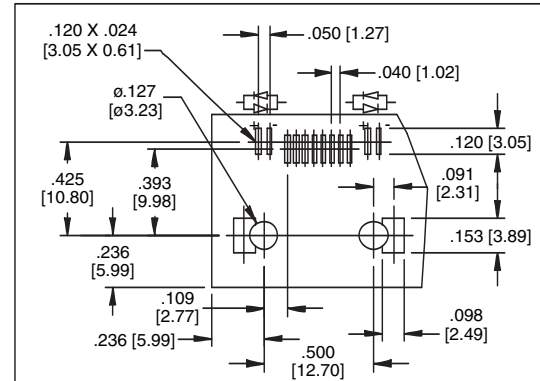
Ordering Information pg. 29

TYPE AR
WITH SMT OPTION
8P8C

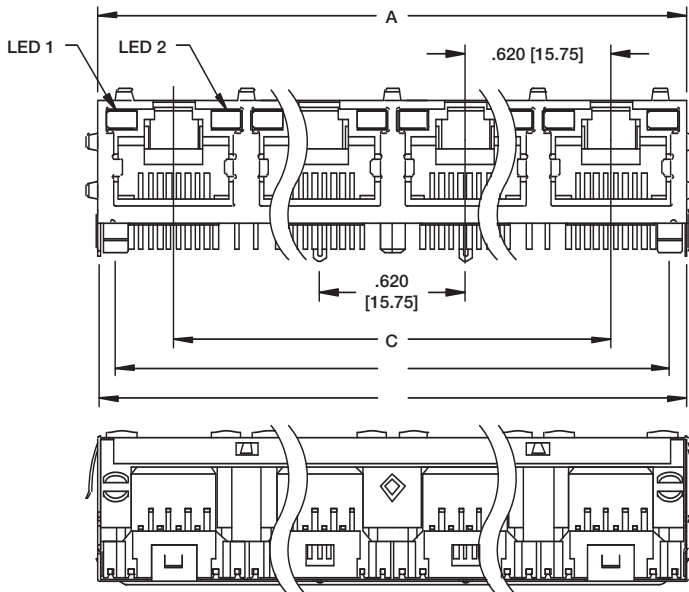


MTJ-88ARX1-FS-SMT-PG-LG

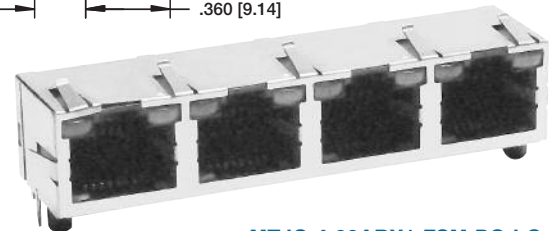
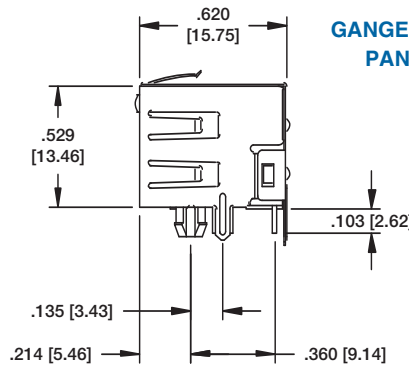
Also available without panel ground tabs



Recommended PCB Layout



TYPE AR
GANGED WITH METAL SHIELD,
PANEL GROUND TABS AND
LED OPTION
8P8C



MTJG-4-88ARX1-FSM-PG-LG

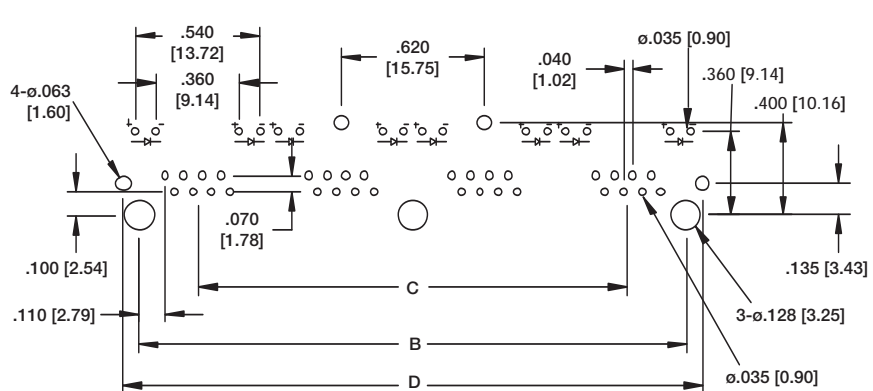
Shown with metal shield, panel ground tabs and LED options

Add suffix to end of P/N:

LED CONFIGURATION		
SUFFIX	LED 1	LED 2
LA	YELLOW	YELLOW
LD	GREEN	GREEN
LG	YELLOW	GREEN
LH	GREEN	YELLOW
LI	ORANGE/ GREEN	ORANGE/ GREEN

2, 4 & 8 PORTS AVAILABLE

- A = .620 [15.75] x No. of Ports + .029 [0.75]
- B = .620 [15.75] x No. of Ports - 1 + .500 [12.70]
- C = .620 [15.75] x No. of Ports - 1
- D = .620 [15.75] x No. of Ports + .019 [0.50]



Recommended PCB Layout