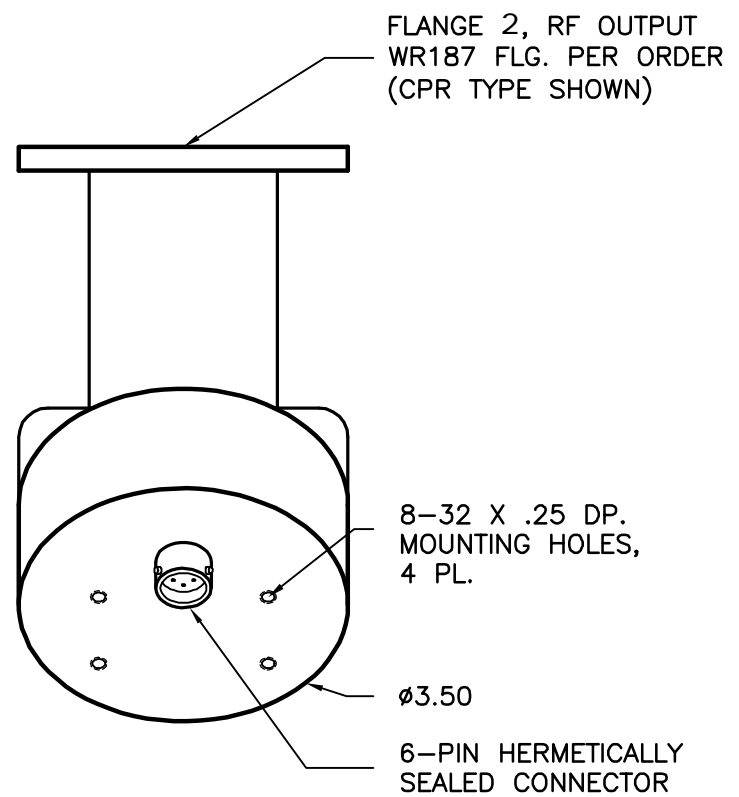
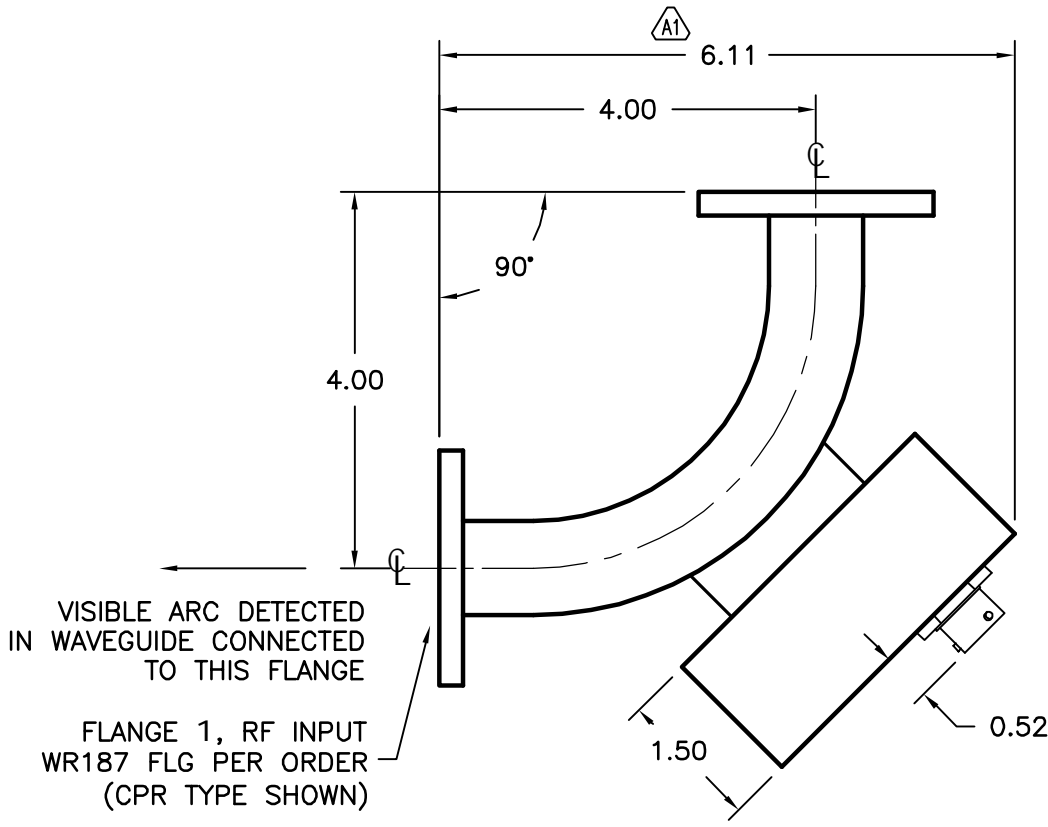


REV. -	AUTH. RL	DATE 04/06/05	INITIAL RELEASE	APPROVED
REV. A	AUTH. RL	DATE 04/12/05	(A1) WAS: 6.02	APPROVED



MATERIAL PER ORDER	TREATMENT IRIDITE	DRAWN R. LYNCH	DATE 04/06/05	
FINISH ATM GREY	MOD. NO. 187-ARCE-X-X-X	CHECKED	DATE	
OUTLINE, WR187 ARC DETEC. 90° E-BEND		APPROVED	DATE	
		CAGE CODE: OR8N4	DO NOT SCALE DWG	
ADVANCED TECHNICAL MATERIALS, INC. 49 RIDER AVE., PATCHOGUE N.Y. 11772 TEL: (631) 289-0363 FAX: (631) 289-0358 http://www.atmmicrowave.com		UNLESS OTHERWISE NOTED DIMENSIONS ARE IN INCHES TOLERANCES ARE:	FRACTIONS ±1/64 DECIMALS ±.03 ANGLES ±1/2°	SHEET. 1/1
PROPRIETARY NOTICE: THE INFORMATION IN THIS DRAWING IS PROPRIETARY AND SHALL NOT BE USED OR DISCLOSED WITHOUT THE PRIOR WRITTEN CONSENT OF ATM, INC.		SCALE NONE	DWG. NO. 3538W	REV. A