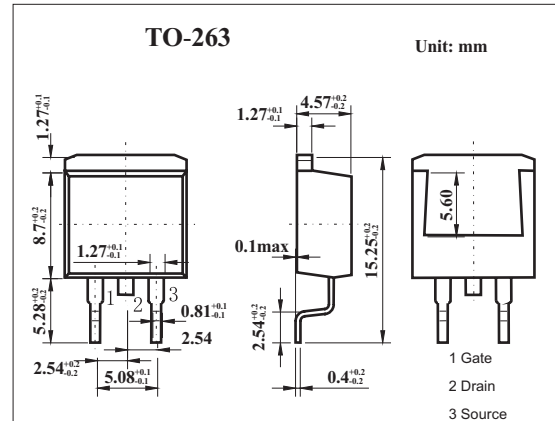


## MOS Field Effect Transistor 2SK3430

### ■ Features

- Super low on-state resistance:  
 $R_{DS(on)1} = 7.3 \text{ m}\Omega \text{ MAX. (} V_{GS} = 10 \text{ V, } I_D = 40 \text{ A)}$   
 $R_{DS(on)2} = 15 \text{ m}\Omega \text{ MAX. (} V_{GS} = 4 \text{ V, } I_D = 40 \text{ A)}$
- Low  $C_{iss}$ :  $C_{iss} = 2800 \text{ pF TYP.}$
- Built-in gate protection diode



### ■ Absolute Maximum Ratings $T_a = 25^\circ\text{C}$

Parameter	Symbol	Rating	Unit
Drain to source voltage	$V_{DS}$	30	V
Gate to source voltage	$V_{GS}$	$\pm 20$	V
Drain current	$I_D$	$\pm 80$	A
	$I_{dp}^*$	$\pm 200$	A
Power dissipation	$P_D$	$T_c=25^\circ\text{C}$	84
		$T_a=25^\circ\text{C}$	1.5
Channel temperature	$T_{ch}$	150	$^\circ\text{C}$
Storage temperature	$T_{stg}$	-55 to +150	$^\circ\text{C}$

\*  $PW \leq 10 \mu\text{s}$ , Duty Cycle  $\leq 1\%$

### ■ Electrical Characteristics $T_a = 25^\circ\text{C}$

Parameter	Symbol	Testconditions	Min	Typ	Max	Unit
Drain cut-off current	$I_{DSS}$	$V_{DS}=40\text{V}, V_{GS}=0$			10	$\mu\text{A}$
Gate leakage current	$I_{GSS}$	$V_{GS} = \pm 20\text{V}, V_{DS}=0$			$\pm 10$	$\mu\text{A}$
Gate cutoff voltage	$V_{GS(off)}$	$V_{DS}=10\text{V}, I_D=1\text{mA}$	1.5	2.0	2.5	V
Forward transfer admittance	$ Y_{fs} $	$V_{DS}=10\text{V}, I_D=40\text{A}$	20	40		S
Drain to source on-state resistance	$R_{DS(on)1}$	$V_{GS}=10\text{V}, I_D=40\text{A}$		5.9	7.3	$\text{m}\Omega$
	$R_{DS(on)2}$	$V_{GS}=4\text{V}, I_D=40\text{A}$		10.5	15	$\text{m}\Omega$
Input capacitance	$C_{iss}$	$V_{DS}=10\text{V}, V_{GS}=0, f=1\text{MHz}$		2800		pF
Output capacitance	$C_{oss}$			730		pF
Reverse transfer capacitance	$C_{rss}$			320		pF
Turn-on delay time	$t_{on}$			110		ns
Rise time	$t_r$	$I_D=40\text{A}, V_{GS(on)}=10\text{V}, R_G=10\Omega, V_{DD}=20\text{V}$		1800		ns
Turn-off delay time	$t_{off}$			170		ns
Fall time	$t_f$			350		ns
Total Gate Charge	$Q_G$				50	
Gate to Source Charge	$Q_{GS}$	$I_D=80\text{A}, V_{DD}=32\text{V}, V_{GS}=10\text{V}$		10		nC
Gate to Drain Charge	$Q_{GD}$			14		nC