



Frontier Electronics Corp.

667 E. COCHRAN STREET, SIMI VALLEY, CA 93065

TEL: (805) 522-9998 FAX: (805) 522-9989

E-mail: frontiersales@frontierusa.com

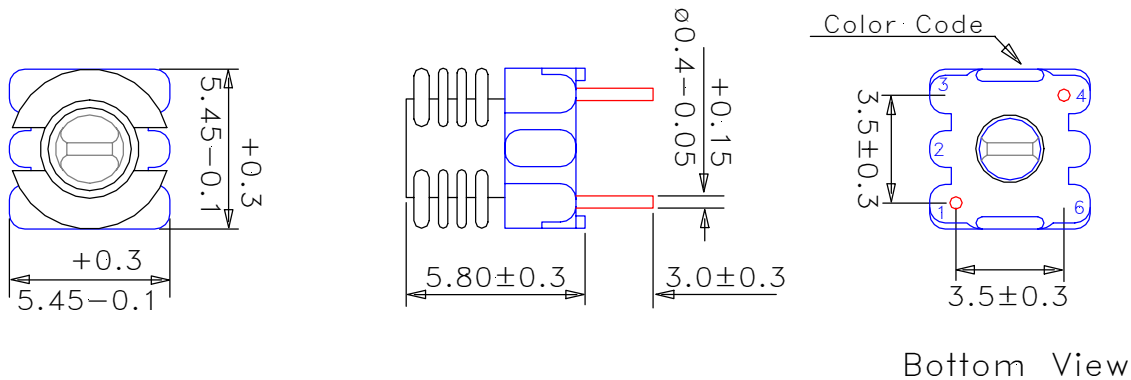
Web: frontierusa.com

Tunable Super Hi-Q RF Coils—5SQ Series

A. Electrical specification:

P/N	Pin (S—F)	Specification						Color Code
		Test Frequency: 25.2 MHz				SRF Min. (MHz)	DCR Max. (mΩ)	
		L Min. (nH)	L Nom. (nH)	L Max. (nH)	Q (Min.) @L max.			
5SQ-03	Pin (1-4)	85	95	105	70	1000	35.0	ORANGE
5SQ-04	Pin (1-4)	120	140	160	80	900	45.5	YELLOW
5SQ-05	Pin (1-4)	150	177	205	90	740	50.0	GREEN
5SQ-06	Pin (1-4)	185	227	270	90	590	57.5	BLUE
5SQ-07	Pin (1-4)	270	317	365	90	540	72.5	VIOLET
5SQ-08	Pin (1-4)	320	383	445	100	500	75.0	Black
5SQ-09	Pin (1-4)	400	465	530	100	450	85.0	WHITE

B. Mechanical dimensions: (Unit: mm)



C. General Information:

1. Can be tunable.
2. Excellent temperature coefficient.
3. For high frequency operation up to 1.0 GHz.
4. Unique winding configuration.
5. Special selected core for Hi-Q performance.
6. Inductance measured using HP4191A with HP16092A test fixture.
7. Q measured at L max value using HP4191A with HP16092A test fixture.
8. SRF measured without core using Scalar or network Analyzer.
9. **RoHS compliant.**

Patent Pending