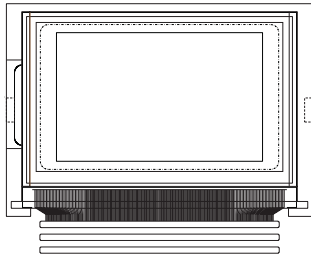


# 128 x 64 Dots Graphic LCD



## FEATURES

- Built-in controller (KS0713)
- + 3V or +5V power supply
- 1/64 duty cycle

MECHANICAL DATA		
ITEM	STANDARD VALUE	UNIT
Module Dimension	35.0 x 24.22	mm
Viewing Area	29.58 x 17.98	mm
Dot Size	0.18 x 0.23	mm
Dot Pitch	0.2 x 0.25	mm

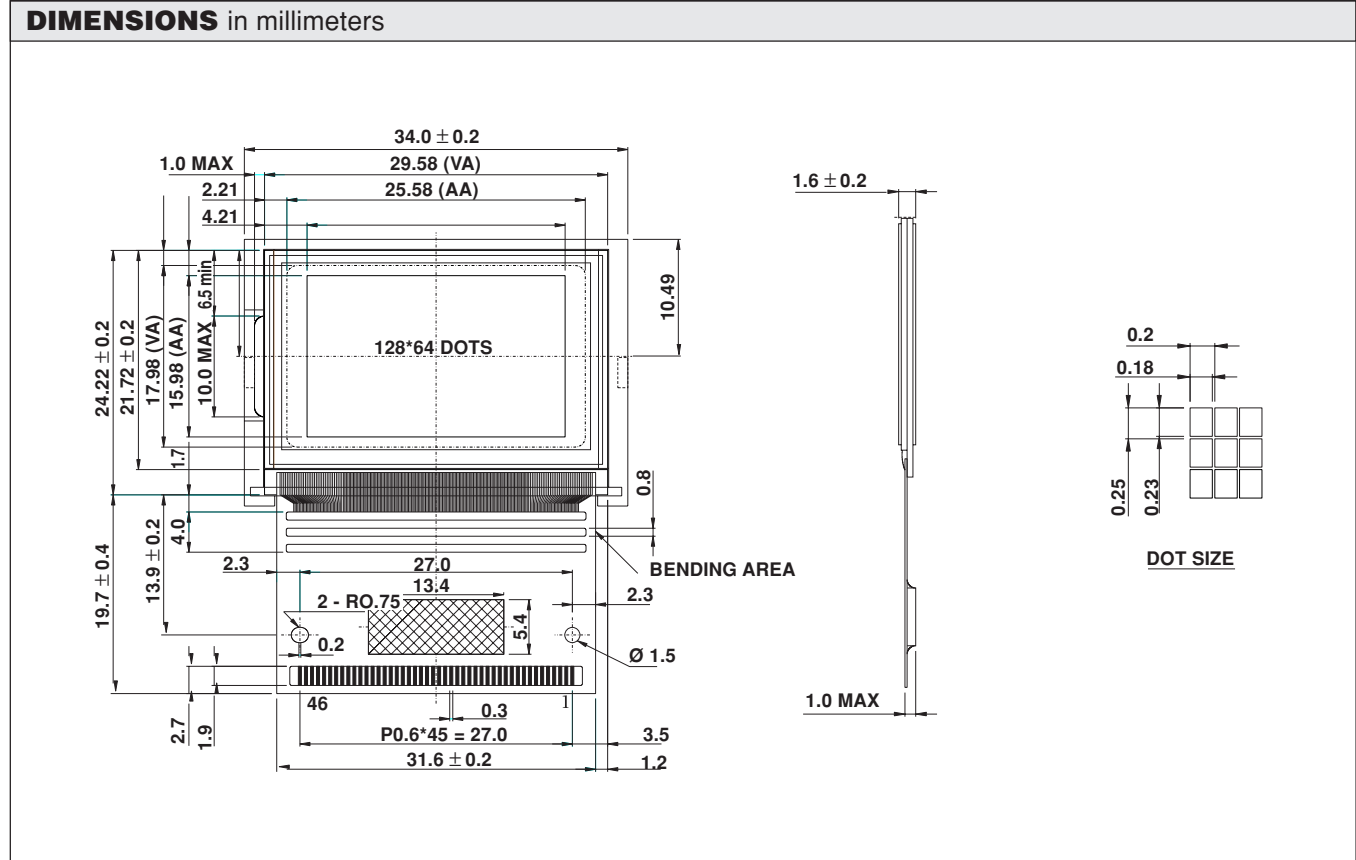
ABSOLUTE MAXIMUM RATING					
ITEM	SYMBOL	STANDARD VALUE			UNIT
		MIN.	TYP.	MAX.	
Power Supply	VDD-VSS	2.4	–	5.5	V
Input Voltage	VI	- 0.3	–	VDD	V

**NOTE:** VSS = 0 Volt, VDD = 5.0 Volt

ELECTRICAL SPECIFICATIONS						
ITEM	SYMBOL	CONDITION	STANDARD VALUE			UNIT
			MIN.	TYP.	MAX.	
Input Voltage	VDD	L level	$0.8V_{DD}$	–	$V_{DD}$	V
	VIO	H level	–	–	–	V
Supply Current	IDD	VDD = 5V	–	–	–	mA
Recommended LC Driving Voltage for Normal Temp. Version Module	VDD-V0	0°C	9.3	9.8	10.3	V
		25°C	7.9	8.4	8.9	
		50°C	7.0	7.5	8.0	
LED Forward Voltage	VF	25°C	–	–	–	V
LED Forward Current	IF	25°C	–	–	–	mA
EL Power Supply Current	IEL	Vel =110VAC;400Hz	–	–	–	mA

PIN NUMBER	SYMBOL	PIN NUMBER	SYMBOL
1	NC	24	CLS
2	TEMPS	25	MS
3	INTRS	26	DUTY 1
4	HPM	27	DUTY 0
5	DCDC5B	28	DB7
6	BSTS	29	DB6
7	V4	30	DB5
8	V3	31	DB4
9	V2	32	DB3
10	V1	33	DB2
11	V0	34	DB1
12	VR	35	DB0
13	C2 -	36	E_RD
14	C2 +	37	RW_WR
15	C1 -	38	RS
16	C1 +	39	RESETB
17	C3 -	40	CS2
18	C3 +	41	CS1B
19	Vout	42	DISP
20	Vdd	43	CL
21	Vss	44	M
22	PS	45	FRS
23	MI	46	NC

**DIMENSIONS** in millimeters





## Disclaimer

All product specifications and data are subject to change without notice.

Vishay Intertechnology, Inc., its affiliates, agents, and employees, and all persons acting on its or their behalf (collectively, "Vishay"), disclaim any and all liability for any errors, inaccuracies or incompleteness contained herein or in any other disclosure relating to any product.

Vishay disclaims any and all liability arising out of the use or application of any product described herein or of any information provided herein to the maximum extent permitted by law. The product specifications do not expand or otherwise modify Vishay's terms and conditions of purchase, including but not limited to the warranty expressed therein, which apply to these products.

No license, express or implied, by estoppel or otherwise, to any intellectual property rights is granted by this document or by any conduct of Vishay.

The products shown herein are not designed for use in medical, life-saving, or life-sustaining applications unless otherwise expressly indicated. Customers using or selling Vishay products not expressly indicated for use in such applications do so entirely at their own risk and agree to fully indemnify Vishay for any damages arising or resulting from such use or sale. Please contact authorized Vishay personnel to obtain written terms and conditions regarding products designed for such applications.

Product names and markings noted herein may be trademarks of their respective owners.