

M62301SP/FP

10 to 12-bit 4-ch Integrating A/D Converter

REJ03D0861-0300

Rev.3.00

Mar 25, 2008

Description

M62301 semiconductor integrated circuit forms an integrating A/D converter, being connected to a microcomputer unit. By using selection signals and counter clock signals from the unit, a 10 to 12-bit A/D converter can be created at a low cost.

The integration time and resolution can be set at the users option by changing external parameters. In addition, the built-in circuit offset, delay time and temperature fluctuation are adjustable, enabling a wide range of applications. M62301 has a 3 input decoder circuit, high-precision reference voltage (1.22 V) generator, current supply and comparator for integration, and voltage-monitoring reset circuit for a 5 V power supply. It is also equipped with girdling to prevent current leak from integration capacitor.

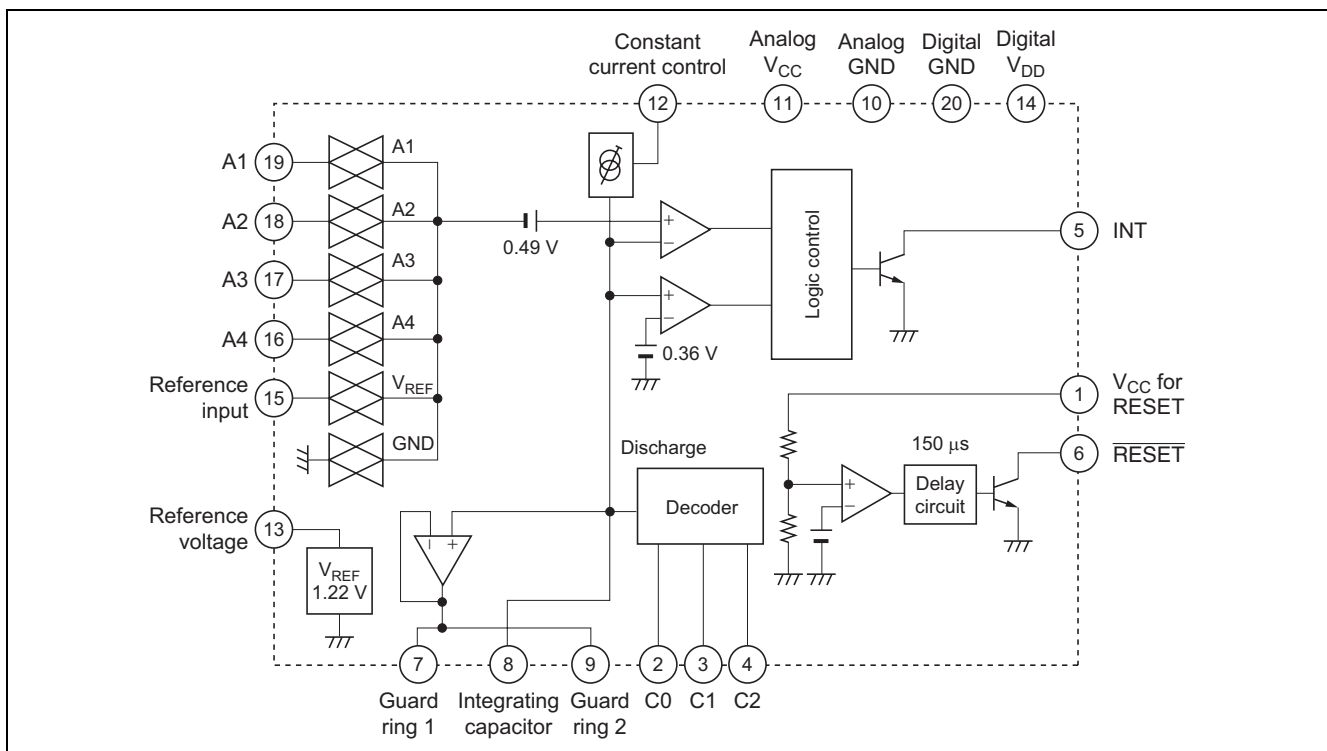
Features

- Separate power supplies for analog section and digital section.
- Low power dissipation: 2 mA (Typ)
(1 mA for A/D conversion and the other 1 mA for reset)
- Linear error: $\pm 0.02\%$ (Typ)
- Conversion time: 526 $\mu\text{s}/\text{ch}$ (Typ)
- Built-in system reset: 4.45 V (Typ)

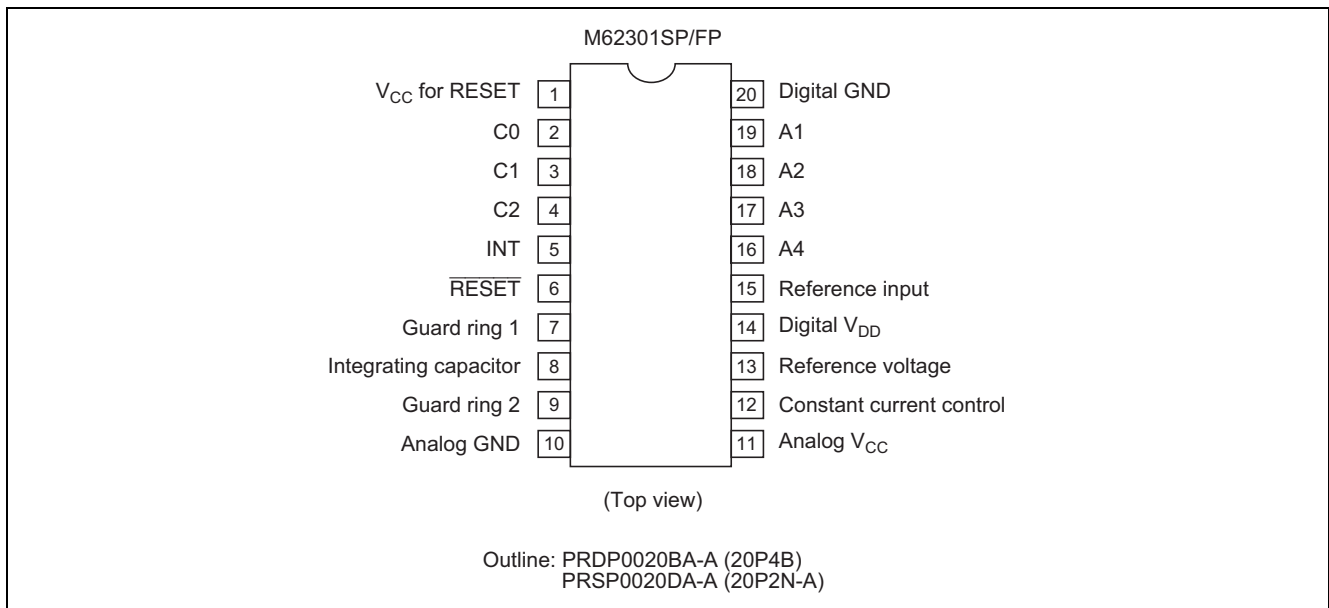
Application

High-precision control systems such as temperature control and speed control

Block Diagram



Pin Arrangement



Absolute Maximum Ratings

($T_a = 25^\circ\text{C}$, unless otherwise noted)

Item	Symbol	Ratings	Unit
Analog section supply voltage	V_{CC}	15	V
Digital section supply voltage	V_{DD}	8	V
Digital input voltage	V_{ID}	-0.3 to $V_{DD} + 0.3$	V
Analog input voltage	V_{IA}	-0.3 to $V_{DD} + 0.3$	V
INT output current	I_{OINT}	6	mA
Reset output current	I_{ORE}	6	mA
INT output withstand voltage	V_{INT}	15	V
Reset output withstand voltage	V_{RESET}	15	V
Reset supply voltage	V_{RE}	6	V
Power dissipation	P_d	990 (P) / 660 (FP)	mW
Thermal derating	K_θ	9.9 (P) / 6.6 (FP)	mW/ $^\circ\text{C}$
Operating temperature	T_{opr}	-20 to +75	$^\circ\text{C}$
Storage temperature	T_{stg}	-40 to +125	$^\circ\text{C}$

Recommended Operating Conditions

(Ta = 25°C, unless otherwise noted)

Item	Symbol	Limits			Unit
		Min	Typ	Max	
Analog section supply voltage	V _{CC}	4.5	8.0	12.0	V
Digital section supply voltage	V _{DD}	4.5	5.0	5.5	V
Analog input voltage range (I _I = 50 μA)	V _{IA}	0	—	No more than (V _{CC} - 2.5 V) and V _{DD} * ¹	V
Reference input voltage (I _I = 50 μA)	V _{IR}	1	—	No more than (V _{CC} - 2.5 V) and V _{DD} * ¹	V
Integration capacity	C _I	300	—	22000	pF
Resistance to determine charge current	R _I	6	—	60	kΩ
Output current	I _O	—	—	4	mA

Note: 1. Maximum analog input voltage is less than the difference between V_{CC} - 2.5 V as well as V_{DD}.

$$\text{Charging current } I_I = \frac{V_{REF}}{R_I}$$

Electrical Characteristics

(V_{CC} = 5.0 V, V_{DD} = 5.0 V, Ta = 25°C, unless otherwise noted)

	Item	Symbol	Limits			Unit	Test Conditions
			Min	Typ	Max		
A/D Converter	Supply current	I _{CC}	—	1.0	2.0	mA	
	Analog input voltage range	V _{IA}	0	—	2.5	V	I _I = 100 μA
					2.2		I _I = 200 μA
	Reference input voltage	V _{REF}	1.17	1.22	1.27	V	I _{REF} = ±5 μA C _{REF} = 4700 pF
	Permissible current inflow at reference voltage	I _{REF+}	—	—	50	μA	
		I _{REF-}	—	—	-10		
	Conversion error	E _C	—	0.05	0.1	%/FSR	R _I = 24 kΩ* ¹
	Linear error	E _L	—	0.02	0.09	%/FSR	R _I = 24 kΩ* ²
	Conversion time	T _T	—	526	—	μs	V _{IA} = 2.5 V, C _I = 0.01 μF R _I = 24 kΩ
	Discharge time	T _{di}	—	3	17	μs	V ₍₈₎ = 3 V → 0.3 V C _I = 4700 pF
	Analog input current	I _B	—	-0.35	-3.5	μA	
	Digital input "H" level	V _{IH}	3.5	—	—	V	
Digital input "L" level	V _{IL}	—	—	0.8	V		
Reset Section	INT output "L" level	V _{LINT}	—	0.1	0.4	V	I _{OL} = 1 mA
	INT output leak current	I _{OHINT}	—	—	1	μA	V ₍₅₎ = 15 V
	Detection voltage	V _{DET}	4.30	4.45	4.60	V	
	Hysteresis voltage	ΔV _{DET}	30	50	80	mV	
	Delay time	T _{DE}	75	150	300	μs	
	Reset output "L" level	V _{LRE}	—	0.1	0.4	V	I _{OL} = 1 mA
	Reset output leak current	I _{OHRE}	—	—	1	μA	V ₍₆₎ = 15 V
	Supply current	I _{RE}	—	1.0	2.0	mA	V _{RE} = 5 V
Limit operating voltage	V _{OPL}	—	0.75	1.0	V	R _L = 2.2 kΩ, V _{LRE} ≤ 0.4 V	
		—	0.6	0.8		R _L = 100 kΩ, V _{LRE} ≤ 0.4 V	

Notes: 1. Conversion error; Deviation from the line that links the "0" scale point (mode 0) and reference scale point (mode 3. V_{FSR} = 2.5 V). Associated with all channels.

2. Linear error; Deviation from the line that links the 0 V input point and 2.5 V input point on a given channel.

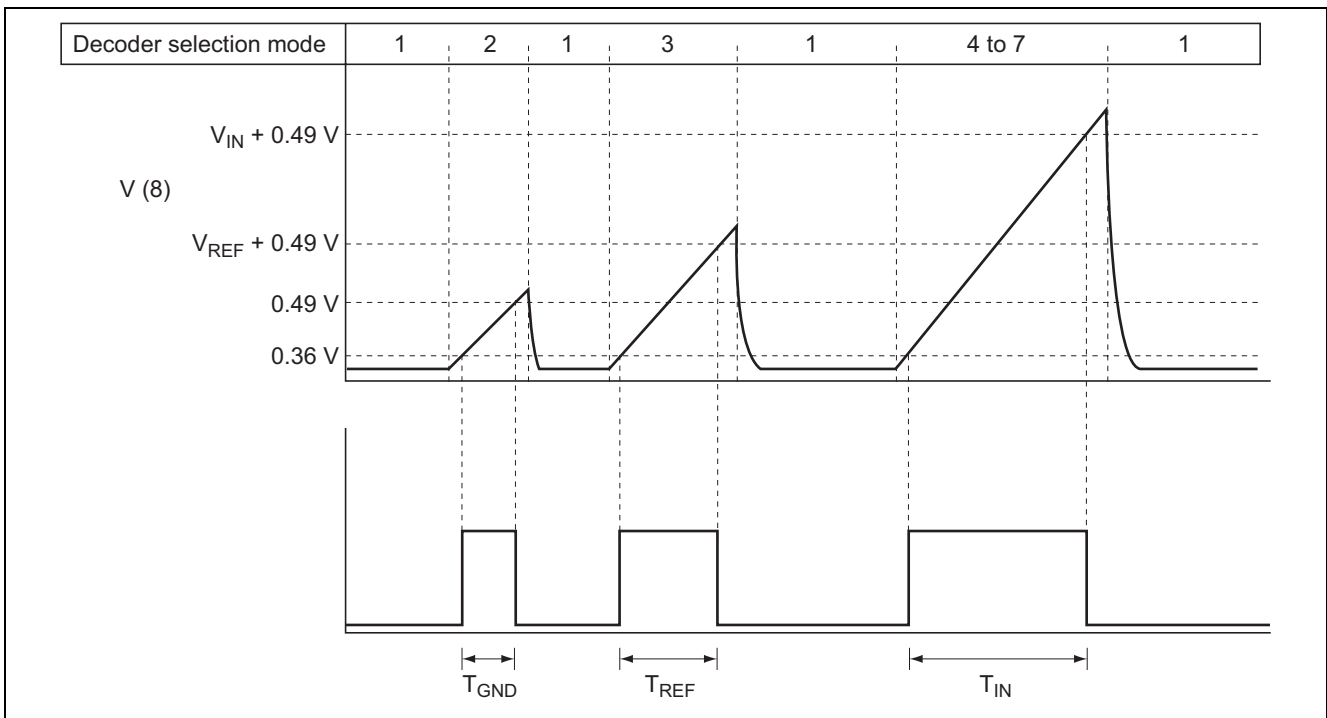
Operating Description

(1) Decoder

Based on digital inputs to C0, C1, C2, the analog switch is set to on, and the input of "0" scale (GND input), input of reference scale (reference voltage input), input to A1-A4, or discharge from integration capacitor (C_I) is performed. None of these operations is performed when the "mode 8" input is given:

Mode	1	2	3	4	5	6	7	8
C0	0	1	0	1	0	1	0	1
C1	0	0	1	1	0	0	1	1
C2	0	0	0	0	1	1	1	1
	Discharge	GND	V_{REF}	A1	A2	A3	A4	—

(2) A/D conversion



Multiplexer first selects V_{GND} , obtaining minimum pulse T_{GND} . It then selects V_{REF} , obtaining reference pulse T_{REF} . Input is selected next, obtaining input pulse T_{IN} . V_{IN} is obtained by deducting T_{GND} , as the offset, from T_{REF} and T_{IN} .

$$V_{IN} = V_{REF} \cdot \frac{T_{IN} - T_G}{T_{REF} - T_G}$$

By measuring voltage at the maximum input for approximately 500 μ s under the counter clock of 8 MHz, resolution of approximately 12 bits can be obtained;

$$\frac{500 \mu\text{s}}{125 \text{ ns}} \approx 2^{12}$$

Note: To ensure discharge from capacitor C_I , the decoder input as in the above diagram should stay in mode 1 at least for the period calculated above: $T_{di} = (C_I \times \frac{V_{I\text{Amax}} + 0.49}{1 \text{ mA}})$

It is not necessary to measure T_{GND} , and T_{REF} for each channel.

(3) Constant current control

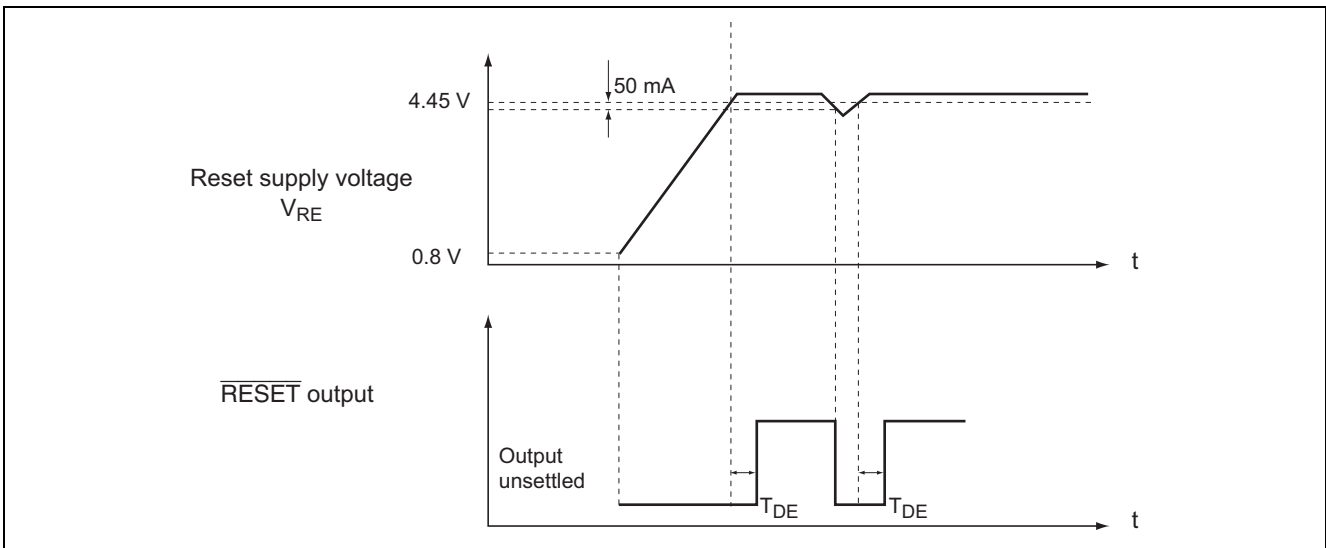
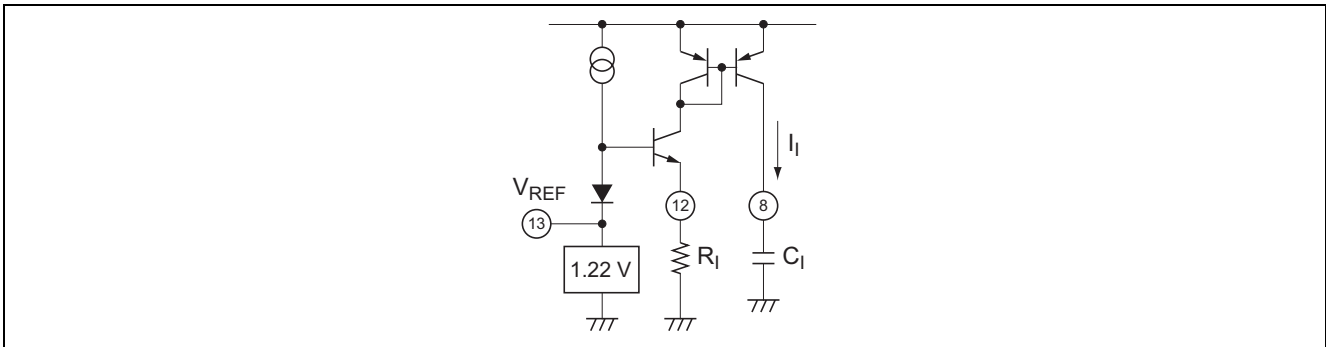
Integrating current I_I can be obtained based on the reference voltage (1.22 V) by the built-in high-precision generator and resistance R_I .

$$I_I = \frac{1.22}{R_I} \quad (\text{A}) \quad \dots\dots\dots (1)$$

Integration time T_I can be calculated as follows;

$$T_I = (V_{IN} + 0.49) \frac{C_I}{I_I} \quad \dots\dots\dots (2)$$

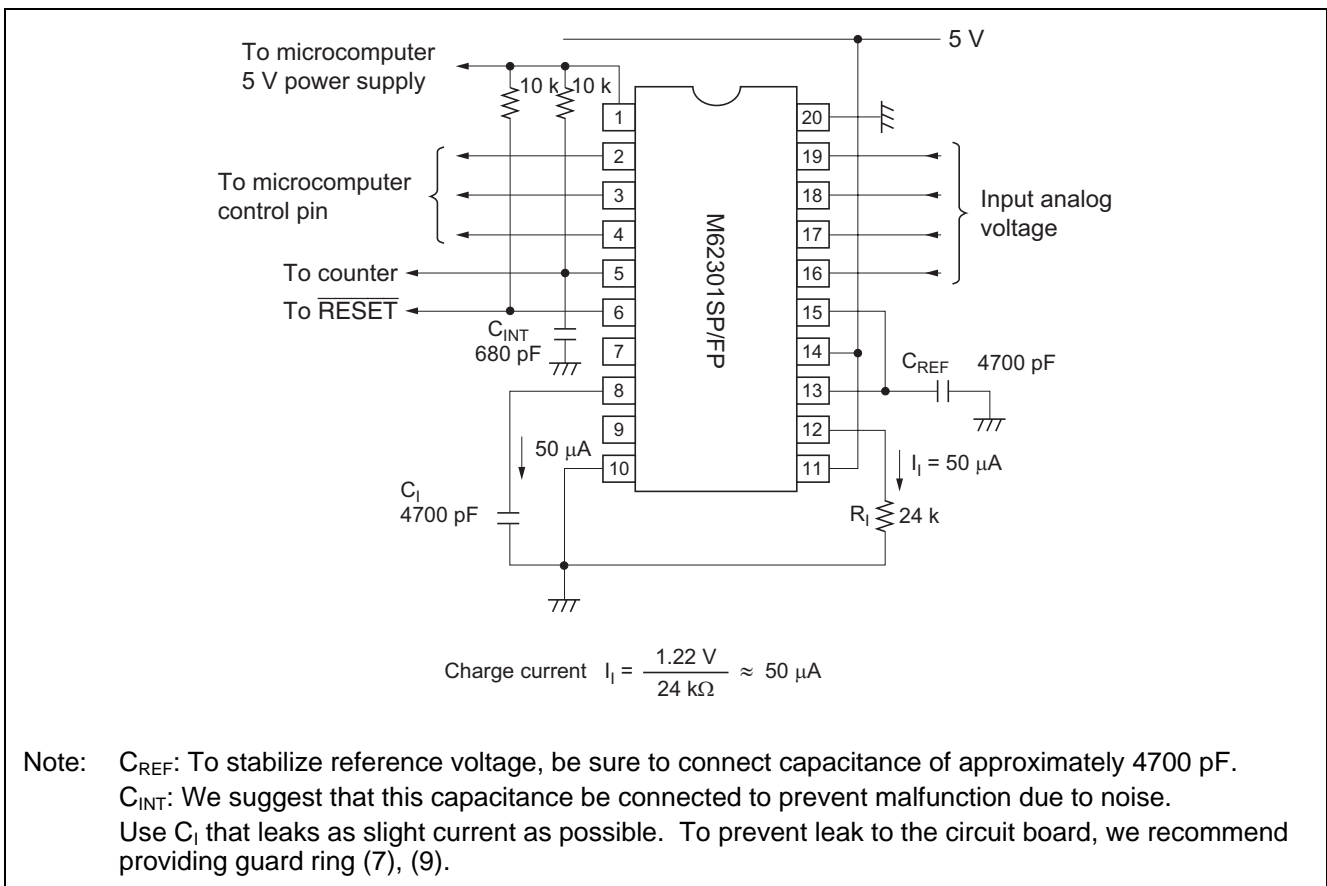
However, parameters such as built-in comparator offset voltage, analog switch offset, voltage leak current and delay time are not counted.



When voltage applied to pin V_{RE} becomes less than 4.45 V, the $\overline{\text{RESET}}$ output status becomes "L". If voltage increases over 4.50 V, the $\overline{\text{RESET}}$ status becomes "H" within 150 μs .

Application Suggestion

1. 4-channel 11-bit A/D converter system



Resolution depends on the number of microcomputer counter clock pulses that are generated while the INT output status is "high" at the maximum input voltage 2.5 V ($V_{CC} - 2.5 \text{ V}$).

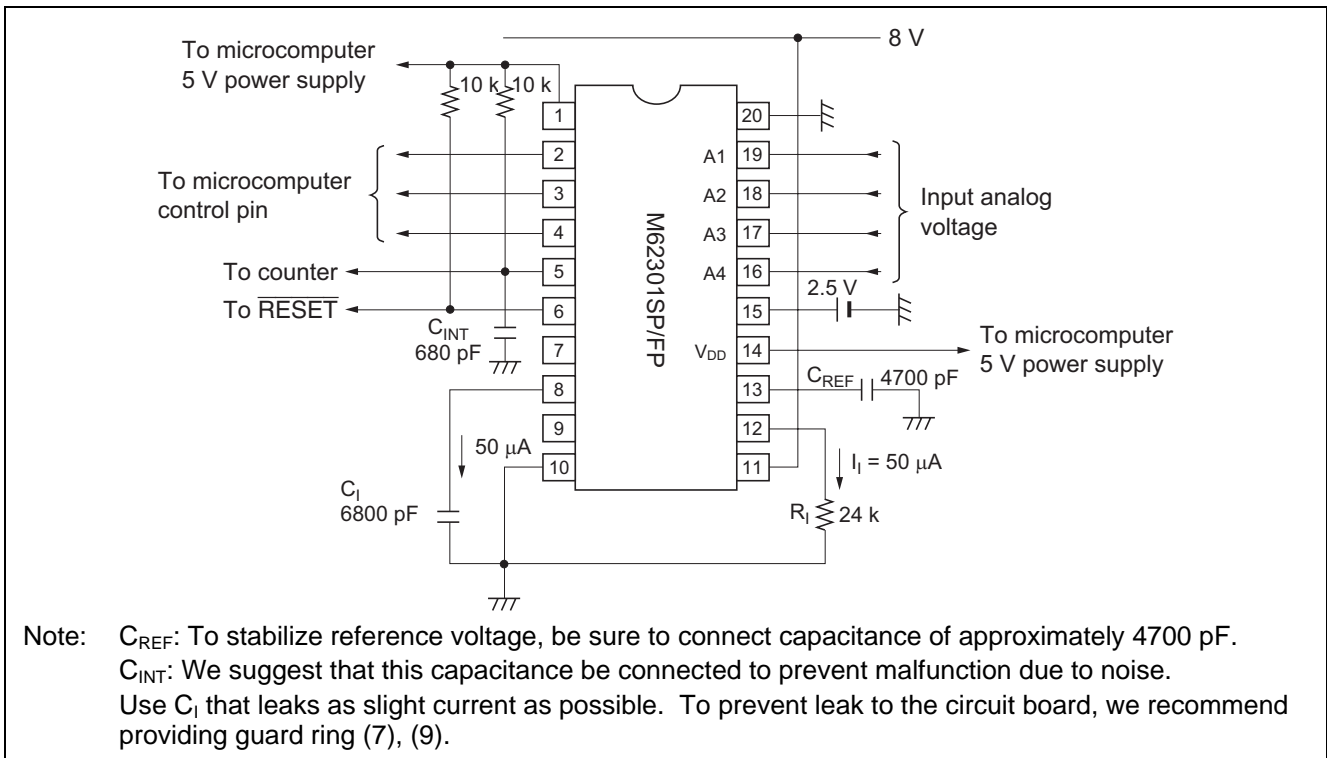
When the microcomputer counter clock frequency is 8 MHz, the resolution can be calculated by using the constant calculated above, as follows;

$$\frac{4700 \text{ pF} \times \frac{(2.5 + 0.13)}{50 \mu\text{A}}}{\frac{1}{8 \text{ M}}} \approx 2^{11}$$

Therefore, the resolution of this system is approximately 11 bits.

2. 4-channel 12-bit A/D converter system

Separate power supplies to analog section and digital section, analog input voltage range mode wider up to V_{DD} , external reference voltage for integration.



Because separate power supplies are provided for the analog and digital sections, the M62301 has two supply voltages V_{CC} and V_{DD} , enabling a wide analog input voltage range V_{IA} . The upper limit of the range is required to be no more than the difference between $V_{CC} - 2.5$ V as well as V_{DD} , therefore, the analog input voltage range in this application is 0 V to 5 V.

When the counter clock frequency is 8 MHz, resolution is;

$$\frac{6800 \text{ pF} \times \frac{(5 + 0.13)}{50 \text{ } \mu\text{A}}}{\frac{1}{8 \text{ M}}} \approx 2^{12}$$

An A/D converter system with resolution of approximately 12 bits can be formed.

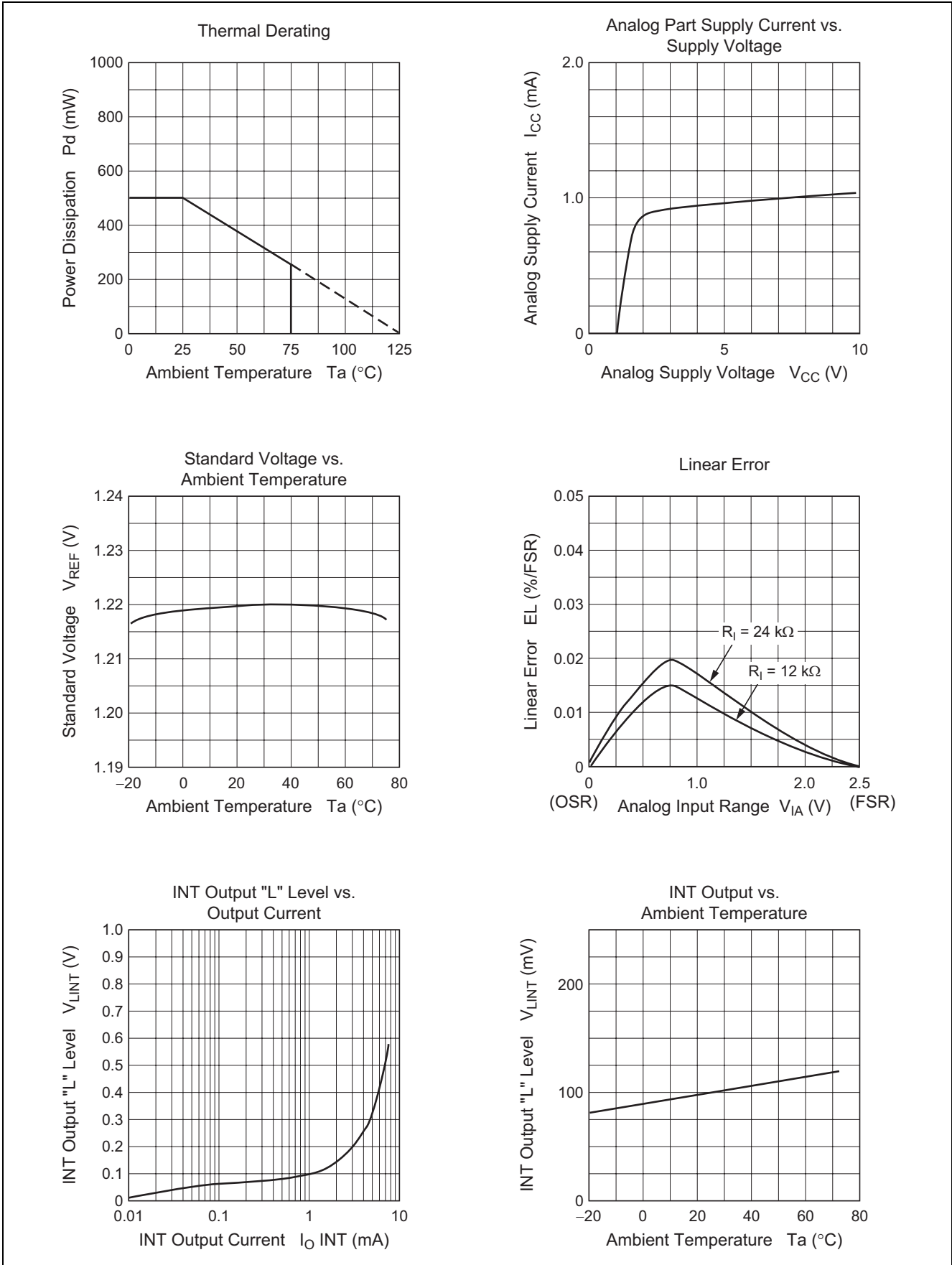
Recommended operational settings according to clock frequency, resolution, and time required for discharge (decoder mode 1)

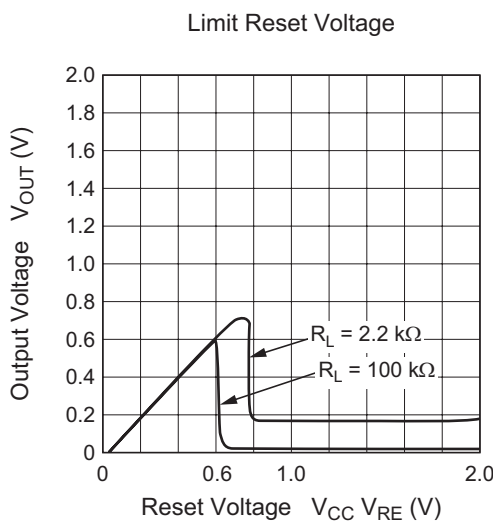
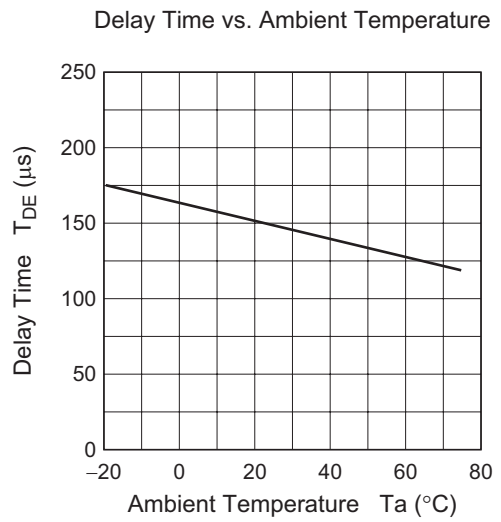
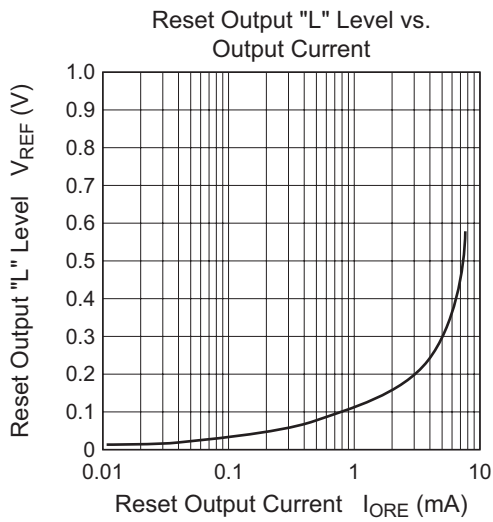
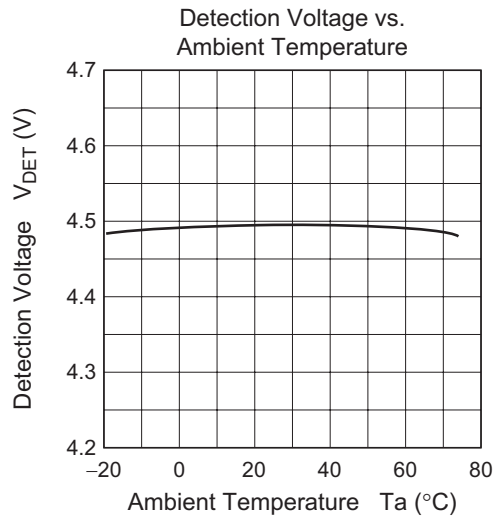
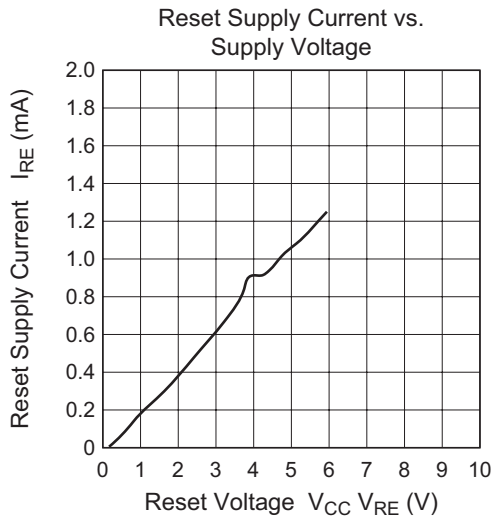
Counter Clock	Resolution	Change Current I _i (μA)	Resistance to Determine Constant Current R _i (kΩ)	Integration Capacitance C _i	Discharge Time T _{di} (μs)
8 MHz	10-bit	50	24	1400 pF	7.7
		100	12	2800 pF	15.4
	11-bit	50	24	2800 pF	15.4
		100	12	5600 pF	30.7
	12-bit	50	24	5600 pF	30.7
		100	12	12000 pF	65.9
16 MHz	10-bit	50	24	700 pF	3.9
		100	12	1400 pF	7.7
	11-bit	50	24	1400 pF	7.7
		100	12	2800 pF	15.4
	12-bit	50	24	2800 pF	15.4
		100	12	5600 pF	30.7

Note: 1. Discharge time $T_{di} = (C_i \times \frac{(V_{IAmax} + 0.49)}{1 \text{ mA}})$

The values in this table apply when V_{IAmax} is 5 V.

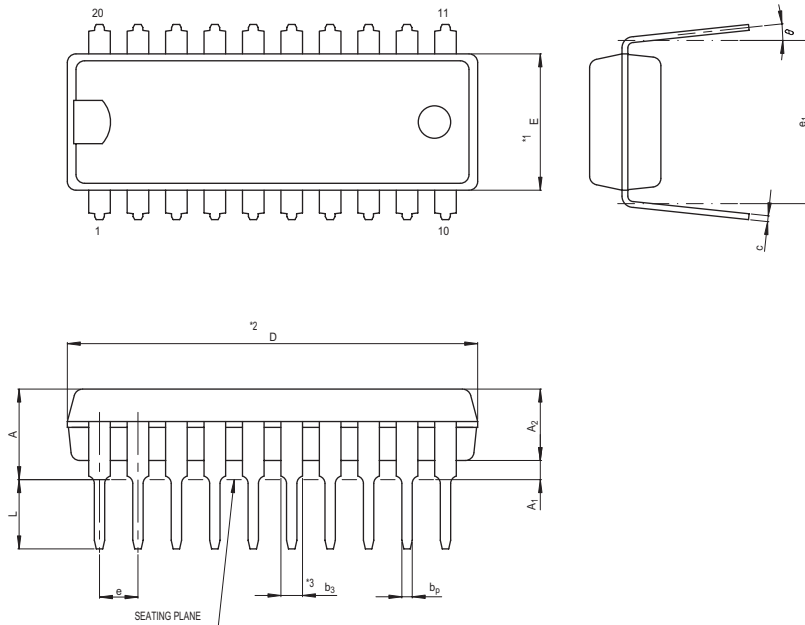
Typical Characteristics





Package Dimensions

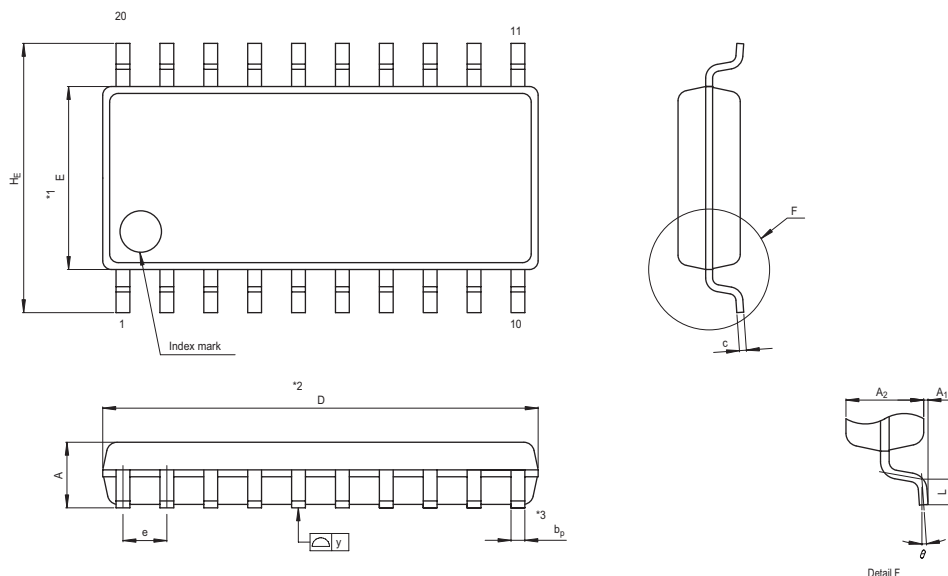
JEITA Package Code	RENESAS Code	Previous Code	MASS[Typ.]
P-SDIP20-6.3x19-1.78	PRDP0020BA-A	20P4B	1.0g



NOTE)
 1. DIMENSIONS **1* AND **2* DO NOT INCLUDE MOLD FLASH.
 2. DIMENSION **3* DOES NOT INCLUDE TRIM OFFSET.

Reference Symbol	Dimension in Millimeters		
	Min	Nom	Max
e1	7.32	7.62	7.92
D	18.8	19.0	19.2
E	6.15	6.3	6.45
A	—	—	4.5
A1	0.51	—	—
A2	—	3.3	—
bp	0.38	0.48	0.58
b3	0.9	1.0	1.3
c	0.22	0.27	0.34
theta	0°	—	15°
e	1.528	1.778	2.028
L	3.0	—	—

JEITA Package Code	RENESAS Code	Previous Code	MASS[Typ.]
P-SOP20-5.3x12.6-1.27	PRSP0020DA-A	20P2N-A	0.3g



NOTE)
 1. DIMENSIONS **1* AND **2* DO NOT INCLUDE MOLD FLASH.
 2. DIMENSION **3* DOES NOT INCLUDE TRIM OFFSET.

Reference Symbol	Dimension in Millimeters		
	Min	Nom	Max
D	12.5	12.6	12.7
E	5.2	5.3	5.4
A2	—	1.8	—
A1	0	0.1	0.2
A	—	—	2.1
bp	0.35	0.4	0.5
c	0.18	0.2	0.25
theta	0°	—	8°
HE	7.5	7.8	8.1
e	1.12	1.27	1.42
y	—	—	0.1
L	0.4	0.6	0.8

Notes:

1. This document is provided for reference purposes only so that Renesas customers may select the appropriate Renesas products for their use. Renesas neither makes warranties or representations with respect to the accuracy or completeness of the information contained in this document nor grants any license to any intellectual property rights or any other rights of Renesas or any third party with respect to the information in this document.
2. Renesas shall have no liability for damages or infringement of any intellectual property or other rights arising out of the use of any information in this document, including, but not limited to, product data, diagrams, charts, programs, algorithms, and application circuit examples.
3. You should not use the products or the technology described in this document for the purpose of military applications such as the development of weapons of mass destruction or for the purpose of any other military use. When exporting the products or technology described herein, you should follow the applicable export control laws and regulations, and procedures required by such laws and regulations.
4. All information included in this document such as product data, diagrams, charts, programs, algorithms, and application circuit examples, is current as of the date this document is issued. Such information, however, is subject to change without any prior notice. Before purchasing or using any Renesas products listed in this document, please confirm the latest product information with a Renesas sales office. Also, please pay regular and careful attention to additional and different information to be disclosed by Renesas such as that disclosed through our website. (<http://www.renesas.com>)
5. Renesas has used reasonable care in compiling the information included in this document, but Renesas assumes no liability whatsoever for any damages incurred as a result of errors or omissions in the information included in this document.
6. When using or otherwise relying on the information in this document, you should evaluate the information in light of the total system before deciding about the applicability of such information to the intended application. Renesas makes no representations, warranties or guarantees regarding the suitability of its products for any particular application and specifically disclaims any liability arising out of the application and use of the information in this document or Renesas products.
7. With the exception of products specified by Renesas as suitable for automobile applications, Renesas products are not designed, manufactured or tested for applications or otherwise in systems the failure or malfunction of which may cause a direct threat to human life or create a risk of human injury or which require especially high quality and reliability such as safety systems, or equipment or systems for transportation and traffic, healthcare, combustion control, aerospace and aeronautics, nuclear power, or undersea communication transmission. If you are considering the use of our products for such purposes, please contact a Renesas sales office beforehand. Renesas shall have no liability for damages arising out of the uses set forth above.
8. Notwithstanding the preceding paragraph, you should not use Renesas products for the purposes listed below:
 - (1) artificial life support devices or systems
 - (2) surgical implantations
 - (3) healthcare intervention (e.g., excision, administration of medication, etc.)
 - (4) any other purposes that pose a direct threat to human lifeRenesas shall have no liability for damages arising out of the uses set forth in the above and purchasers who elect to use Renesas products in any of the foregoing applications shall indemnify and hold harmless Renesas Technology Corp., its affiliated companies and their officers, directors, and employees against any and all damages arising out of such applications.
9. You should use the products described herein within the range specified by Renesas, especially with respect to the maximum rating, operating supply voltage range, movement power voltage range, heat radiation characteristics, installation and other product characteristics. Renesas shall have no liability for malfunctions or damages arising out of the use of Renesas products beyond such specified ranges.
10. Although Renesas endeavors to improve the quality and reliability of its products, IC products have specific characteristics such as the occurrence of failure at a certain rate and malfunctions under certain use conditions. Please be sure to implement safety measures to guard against the possibility of physical injury, and injury or damage caused by fire in the event of the failure of a Renesas product, such as safety design for hardware and software including but not limited to redundancy, fire control and malfunction prevention, appropriate treatment for aging degradation or any other applicable measures. Among others, since the evaluation of microcomputer software alone is very difficult, please evaluate the safety of the final products or system manufactured by you.
11. In case Renesas products listed in this document are detached from the products to which the Renesas products are attached or affixed, the risk of accident such as swallowing by infants and small children is very high. You should implement safety measures so that Renesas products may not be easily detached from your products. Renesas shall have no liability for damages arising out of such detachment.
12. This document may not be reproduced or duplicated, in any form, in whole or in part, without prior written approval from Renesas.
13. Please contact a Renesas sales office if you have any questions regarding the information contained in this document, Renesas semiconductor products, or if you have any other inquiries.



RENESAS SALES OFFICES

<http://www.renesas.com>

Refer to "<http://www.renesas.com/en/network>" for the latest and detailed information.

Renesas Technology America, Inc.
450 Holger Way, San Jose, CA 95134-1368, U.S.A
Tel: <1> (408) 382-7500, Fax: <1> (408) 382-7501

Renesas Technology Europe Limited
Dukes Meadow, Millboard Road, Bourne End, Buckinghamshire, SL8 5FH, U.K.
Tel: <44> (1628) 585-100, Fax: <44> (1628) 585-900

Renesas Technology (Shanghai) Co., Ltd.
Unit 204, 205, AZIACenter, No.1233 Lujiazui Ring Rd, Pudong District, Shanghai, China 200120
Tel: <86> (21) 5877-1818, Fax: <86> (21) 6887-7858/7898

Renesas Technology Hong Kong Ltd.
7th Floor, North Tower, World Finance Centre, Harbour City, Canton Road, Tsimshatsui, Kowloon, Hong Kong
Tel: <852> 2265-6688, Fax: <852> 2377-3473

Renesas Technology Taiwan Co., Ltd.
10th Floor, No.99, Fushing North Road, Taipei, Taiwan
Tel: <886> (2) 2715-2888, Fax: <886> (2) 3518-3399

Renesas Technology Singapore Pte. Ltd.
1 Harbour Front Avenue, #06-10, Keppel Bay Tower, Singapore 098632
Tel: <65> 6213-0200, Fax: <65> 6278-8001

Renesas Technology Korea Co., Ltd.
Kukje Center Bldg. 18th Fl., 191, 2-ka, Hangang-ro, Yongsan-ku, Seoul 140-702, Korea
Tel: <82> (2) 796-3115, Fax: <82> (2) 796-2145

Renesas Technology Malaysia Sdn. Bhd
Unit 906, Block B, Menara Amcorp, Amcorp Trade Centre, No.18, Jln Persiaran Barat, 46050 Petaling Jaya, Selangor Darul Ehsan, Malaysia
Tel: <603> 7955-9390, Fax: <603> 7955-9510