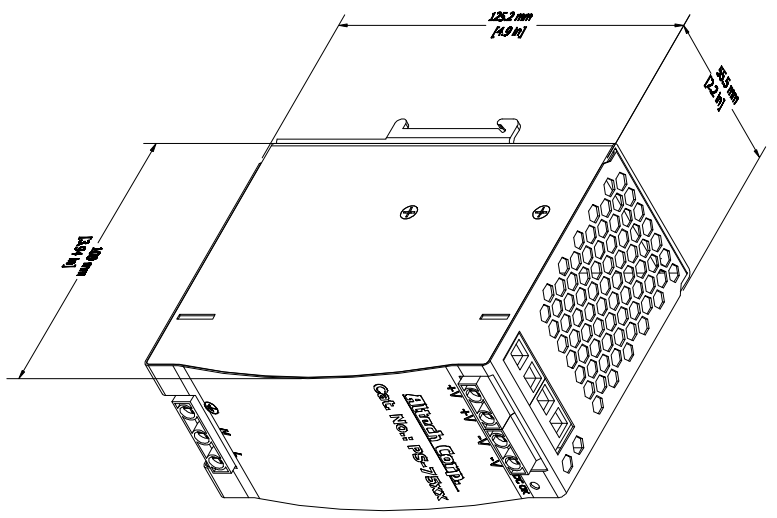
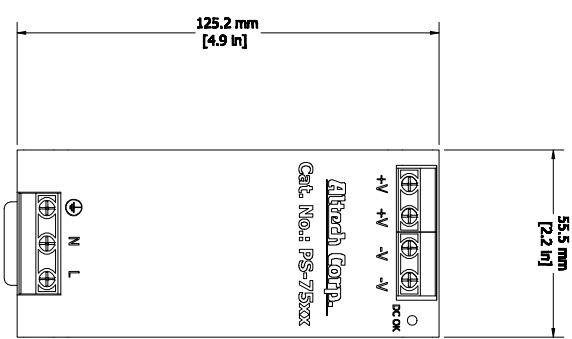
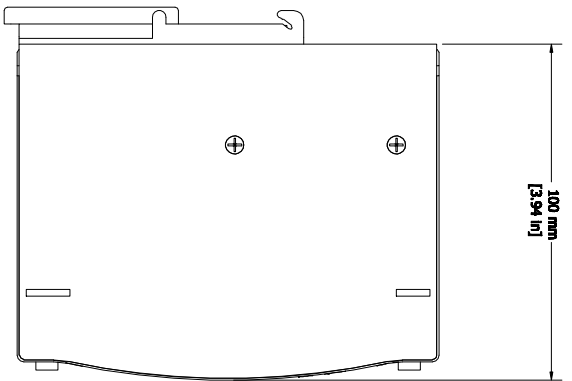
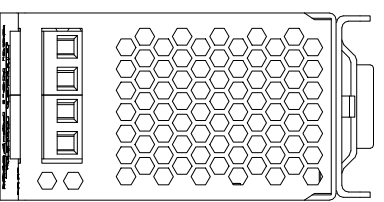


REVISIONS FOR DWG # 20-PS75-PS75				
REV	CH. NO.	DESCRIPTION	DATE	REVISED BY
-	-	ORIGINAL DESIGN	7/23/07	Phil E.



UNLESS OTHERWISE SPECIFIED
 • ALL DIMENSIONS ARE IN MILLIMETERS
 • THIRD ANGLE PROJECTION

TOLERANCE

XX	±1.0 mm
XX.X	±0.5 mm
XX.XX	±0.2 mm
ALL	- mm

This Drawing is the property of
Altech Corp.
 35 Royal Road
 Flemington NJ 08822-6000
 (908) 806-9400 • Fax (908) 806-9490

AND IS A CONFIDENTIAL DISCLOSURE
 LENT WITHOUT CONSIDERATION OTHER
 THAN THE BORROWER'S AGREEMENT
 THAT IT SHALL NOT BE REPRODUCED,
 COPIED, LENT, OR DISPOSED OF
 DIRECTLY OR INDIRECTLY NOR USED
 FOR ANY PURPOSE OTHER THAN THAT
 FOR WHICH IT IS SPECIFICALLY
 FURNISHED.

TITLE: 75W Single Output DIN Rail
 Power Supply PS-75 Series

DRAWN BY: Phillip Ernstberger	7/23/07	DRAWING NO.:	20-PS75-PS75	REV.:	-
CHECKED BY: Leszlo Gyorgypal	7/23/07	SCALE:	-	SHEET:	1
RELEASED BY: Leszlo Gyorgypal	7/23/07			OF:	1