

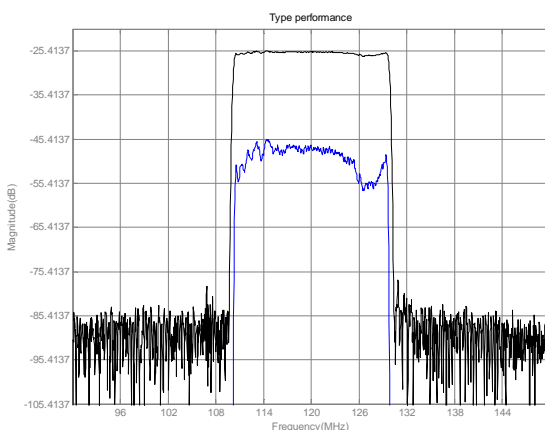


LBN12007 SAW Filter Electrical Characteristic

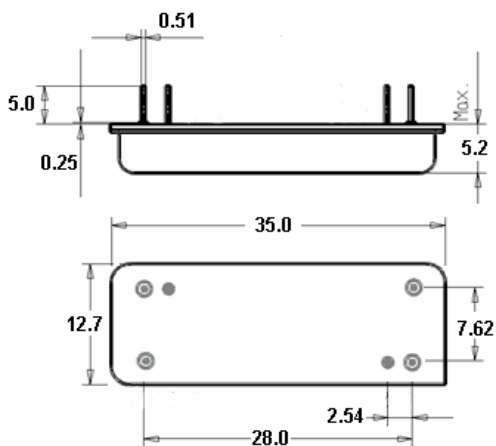
Specifications

Parameter	Unit	Minimum	Typical	Maximum
Center Frequency	MHz	119.9	120	120.1
Insertion Loss	dB	-	25.4	27
1.5 dB Bandwidth	MHz	-	19.28	-
3 dB Bandwidth	MHz	19.4	19.48	-
40 dB Bandwidth	MHz	-	20.46	20.6
50 dB Bandwidth	MHz	-	20.56	-
Passband Variation	dB	-	1.0	1.2
Absolute Delay	usec	-	2.97	3.0
Ultimate Rejection	dB	50	55	-
Substrate Material		YZ LiNbO3		
Ambient Temperature	°C	25		
Package Size		DIP3512 (35.0x12.7x5.2mm ³)		

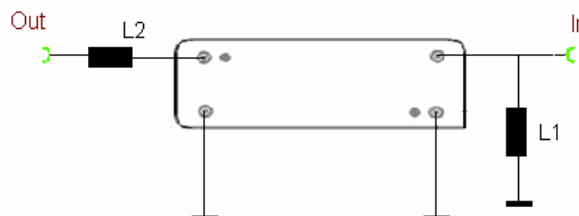
Typical Performance



Package Outline



Matching Configuration



L1=120nH L2=56nH

Source/Load Impedance=50 ohm

Notes - Component values may change depending on board layout.