



Low Power CMOS Broadband Tuner

Freescale Semiconductor's MC44S803 is a 3.3 Volt, low power, high performance, single-chip CMOS, broadband tuner. This chip offers a cost-effective, low-power solution for high-performance analog and digital TV market. This highly integrated third generation silicon tuner covers a 48 MHz to 1 GHz RF input and converts to a 30 MHz to 60 MHz IF frequency. The 861 MHz to 1 GHz frequency range is supported with reduced performance.

The single-chip broadband tuner uses a double-conversion architecture, which eliminates tracking filters and their manually aligned coils. Two IF outputs are provided to support systems with multiple demodulators (e.g. one digital demodulator and one analog TV demodulator).

The MC44S803 is designed to meet all Data Over Cable Service Interface Specification (DOCSIS), ATSC specifications for 8VSB, 64- and 256-Quadrature Amplitude Modulation (QAM) as well as the NorDig Unified 1.0.3 specifications for Coded Orthogonal Frequency Division Multiplexing (COFDM) for DVB-T.

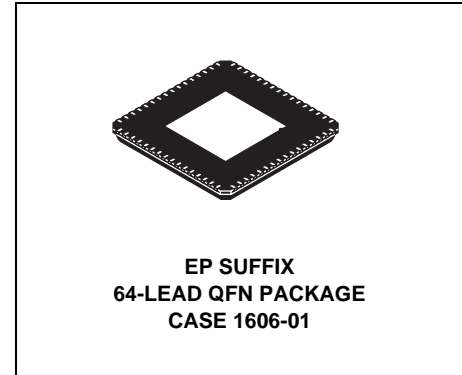
The device is available in a Pb-free 64-pin quad leadless package (QFN).

Features

- Low power consumption (746 mW typical)
- Single 3.3 V supply operation
- Programmable power down mode with fast start-up
- Variable-gain Low-Noise Amplifier (LNA) with 40 dB gain control range
- Ability to switch between two external analog control voltages for LNA
- Two fully integrated frequency synthesizers
- Fully integrated tuned circuit Voltage Controlled Oscillators (VCOs)
- Fully integrated VCO varactors (requires only one external inductor)
- Second IF variable gain amplifier
- Flexible reference oscillator circuit (4.0 MHz to 28 MHz crystal)
- Reference oscillator buffer to drive additional tuners or modulators
- Choice of I²C or SPI interface control buses
- Internal self-diagnostic circuits
- Typical CTB of -63 dBc, CSO of -63 dBc and XMod of -55 dBc
- Typical noise figure of 7.0 dB
- Phase noise -89 dBc/Hz, typical @ 10 kHz offset

MC44S803

**LOW POWER CMOS
 BROADBAND TUNER**



ORDERING INFORMATION			
Device	Temp. Range	Package	RoHS
MC44S803EP	0°C to +85°C	64 QFN	yes

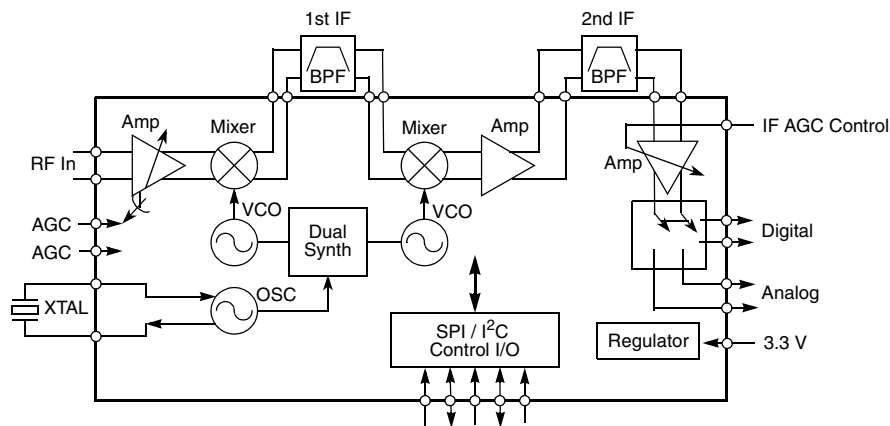


Figure 1. MC44S803 Functional Block Diagram

This document contains certain information on a new product. Specifications and information herein are subject to change without notice.



OVERVIEW

Typical applications for the MC44S803 include cable data modems, cable TV (CATV) set-top boxes (analog & digital), computer TV tuner cards (analog & digital), analog TV sets,

digital terrestrial TV sets, digital terrestrial adapters, home DVD-R and DVR/PVR.

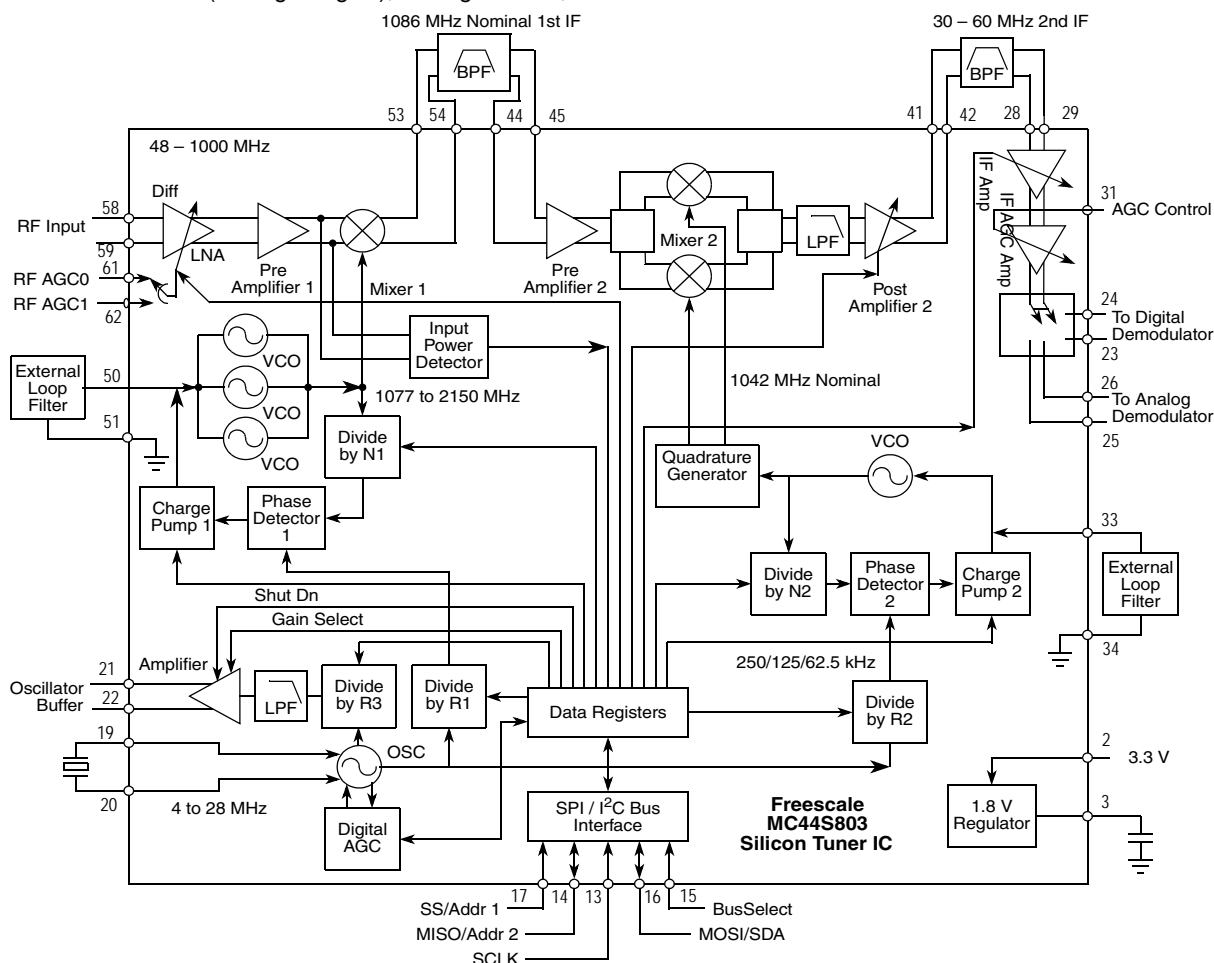


Figure 2. Generation 3 CMOS Silicon Tuner IC Block Diagram

Figure 2 shows the major sections of the MC44S803. The input frequency range is 48 MHz to 1 GHz. RF signal reception from 861 MHz to 1 GHz is supported with reduced performance. The RF input signal enters the Low Noise Amplifier (LNA) after passing through the external diplex filter. The signal is then up converted to 1086 MHz (1086 MHz is an example frequency, not a limitation or recommendation) and passed through the first IF filter. This first IF SAW can be replaced with a lower cost filter (determined by application). The filtered signal is then routed back onto the chip where it is down converted to the second IF center frequency. This is fed to the second IF center filter. The signal enters the IC again to go through the second IF channel output amplifier that gets an analog AGC control voltage from the demodulator.

The output can be switched between two output ports. This provides support for systems with multiple demodulators (e.g. one digital demodulator and one analog TV demodulator).

Many of the amplifiers in the IC have programmable gain to balance the gain budget for a given application. Amplifier

gains are typically set as part of the initialization sequence at power up, then do not need to be changed after that. All programming and configuration control is accomplished via an industry standard I²C or SPI interface bus.

Additional features of the MC44S803 include:

- 3.3 V \pm 5% single supply operation
- Internal 1.8 V tracking regulator
- High linearity and reduced current
- Reduced gain roll off at high frequencies
- 40 dB gain control range in LNA, digitally or analog voltage controlled.
- 36 dB gain control range in IF, analog voltage controlled.
- Ability to switch between two control voltages for use with digital and analog demodulators
- Fully integrated VCO varactors (only one VCO inductor required)
- Reference crystal frequency range from 4.0 to 28 MHz

PIN DESCRIPTION

Table 1 lists the pin out of the MC44S803. In addition to the 64 leads, there is a grounding pad on the bottom of the package, which is soldered to the PCB.

Table 1. Pin Descriptions (Listed by Pin Number)

Pin Number	Signal Name	Description
1	VCO1RegByp	Bypass for VCO 1 Reg., No Connect (Recommended)
2	V _{DD}	3.3 Volt, VCO1 power supply, (Bypass caps should return to pin 64, V _{SS} RBias)
3	VCO1Cap	Bypass Cap for VCO 1 (Return cap to pin 64, V _{SS} RBias)
4	VCO1LCRtn	Return for VCO 1c Inductor
5	VCO1LC	Inductor for VCO 1c
6	VCO1LBRtn	Return for VCO 1b Inductor
7	VCO1LB	Inductor for VCO 1b
8	VCO1LARtn	Return for VCO 1a Inductor
9	VCO1LA	Inductor for VCO 1a
10	TestP	Test Pin Plus
11	TestM	Test Pin Minus
12	V _{DD}	3.3 Volt, SPI power supply
13	SClk	Serial Clock
14	MISO_Adr2	MISO / Address bit 2. (Internal pull-up for "1"; Ground for "0")
15	BusSel	SPI/I2C Bus Select. (Internal pull-up for "1"; Ground for "0")
16	SDA_MOSI	SDA / MOSI
17	SS_Adr1	Slave Select / Address bit 1. (Internal pull-up for "1"; Ground for "0")
18	V _{DD}	3.3 Volt, OSC power supply
19	Xtal2	Crystal Input 2
20	Xtal1	Crystal Input 1
21	RefOutP	Ref. Osc. Buffer In/Output Plus
22	RefOutM	Ref. Osc. Buffer In/Output Minus
23	DigIFOM	Digital IF Out Minus
24	DigIFOP	Digital IF Out Plus
25	AnIFOP	Analog IF Out Plus
26	AnIFOM	Analog IF Out Minus
27	V _{DD}	3.3 Volt, IF AGC power supply
28	IFAGCInM	IF AGC Amplifier Input Minus (Internally cap coupled)
29	IFAGCInP	IF AGC Amplifier Input Plus (Internally cap coupled)
30	AnTest	Analog Test Pin

Table 1. Pin Descriptions (Listed by Pin Number)

Pin Number	Signal Name	Description
31	2ndIFAGC	Second IF AGC Control.
32	V _{DD}	3.3 Volt, Synth 2 power supply
33	LF2	Loop Filter 2
34	LF2Rtn	V _{SS} RefVCO2. Return for Loop Filter 2
35	VCO2RegByp	Bypass for VCO 2 Reg., No Connect (Recommended)
36	V _{DD}	3.3 Volt, V _{DD} VCO2 power supply. (Bypass cap should return to pin 34 V _{SS} RefVCO2)
37	VCO2Cap	Bypass Cap for VCO 2. (Return cap to pin 34 V _{SS} RefVCO2)
38	VCO2L1	Inductor for VCO 2
39	VCO2L2	Return for VCO 2 Inductor
40	V _{DD}	3.3 Volt, IF AMP power supply
41	IFampOP	IF Amplifier Output Plus
42	IFampOM	IF Amplifier Output Minus
43	V _{SS}	V _{SS} IF AMP
44	PreMix2InM	Mixer 2 Preamp Input Minus
45	PreMix2InP	Mixer 2 Preamp Input Plus
46	V _{DD}	3.3 Volt, M2IF power supply
47	NC	No Internal Connection
48	NC	No Internal Connection
49	V _{DD}	3.3 Volt, Synth 1 power supply
50	LF1	First LO Loop Filter
51	LF1Rtn	V _{SS} Ref VCO1. Return for Loop Filter 1
52	V _{DD}	3.3 Volt, Mixer 1 power supply
53	Mix1OP	First Mixer Output Plus
54	Mix1OM	First Mixer Output Minus
55	LNABias	LNA Bias
56	V _{DD}	3.3 Volt, LNA power supply
57	LNAInPL	Inductor for RF In Plus
58	LNAInP	RF Input Plus
59	LNAInM	RF Input Minus
60	LNAInML	Inductor for RF In Minus
61	FEAGC_A	FE AGC Control A
62	FEAGC_B	FE AGC Control B
63	RBias	Bias Setting Resistor
64	RBiasRtn	Return for RBias
65	Gnd_Pad	Ground pad on bottom of package

ELECTRICAL SPECIFICATIONS

Table 2. Absolute Maximum Ratings

Absolute maximum continuous ratings are those maximum values beyond which damage to the device may occur. Exposure to these conditions or conditions beyond those indicated may adversely affect device reliability. Functional operation at absolute maximum rated conditions is not implied.

Characteristic	Symbol	Min	Max	Units
Supply Voltage	V_{DD}	-0.3	+3.6	V
Any Input Voltage	V_{in}	-0.3	$V_{DD} + 0.3$	V
Storage Temperature Range	T_{stg}	-65	+150	°C

Table 3. General Specifications

Characteristic	Symbol	Min	Units
ESD Protection (Machine Model)	MM	200	V
ESD Protection (Human Body Model) ⁽¹⁾	HBM	2000	V
Latch-Up Immunity	LU	200	mA

1. MIL STD 883C method 3015-7.

Table 4. Recommended Operating Conditions

Characteristic	Symbol	Min	Typ	Max	Units
Supply Voltage	V_{DD}	+3.135	+3.3	+3.465	V
Ambient Temperature	T_A	0	—	+85	°C

Table 5. Typical DC Power Consumption

Power Mode	Supply (V)	Power (mW)	CTB (dBc)	CSO (dBc)	XMOD (dBc)
Low (-3 dBmV Attack)	3.3	746	-59	-58	-55
High (0 dBmV Attack)	3.3	1040	-63	-63	-55

Table 6 specifies the tuner performance with low power settings for the reference design shown in Figure 30, which includes the applicable filtering. Note that this tuner can be operated in an extended frequency band of 861 MHz to 1000 MHz. In this extended band, Gain Variation and Noise Figure specs increase 1.0 dB.

TEST CONDITIONS:

- $V_{DD} = 3.3$ V
- $T_A = 25$ °C
- Second IF = 44 MHz
- RF Frequency Range = 57 to 861 MHz

Parameter	Atten	Pre Amp1	Mix1	Pst Amp2	IF Amp
Gain	0 dB	Nom	—	8.3 dB	6.0 dB
Power	—	Low	Low	Low	Low

Table 6. Tuner Performance (Low Power Settings)

Data for VCC = 3.3V, 25C RFAGC for minimum attenuation = 2.0V

Parameter	Min	Typ	Max	Units
Supply Current — Low power mode	—	211	—	mA
Supply Current — All blocks shutdown	—	12	14	mA
Noise Figure Channel 57 MHz	—	6.8	8.0	dB
Noise Figure Channel 861 MHz	—	7.5	8.5	dB
Noise Figure Channel 1000 MHz	—	8.2	9.3	dB
Conversion Gain — All max settings				
57 MHz	88	91	95	dB
861 MHz	84	87	91	dB
1000 MHz	83	86	90	dB
Conversion Gain — All min settings				
57 MHz	80	84	87	dB
861 MHz	76	80	83	dB
1000 MHz	75	79	82	dB
Gain Variation — Variation in Gain for one tuner over 57MHz-861MHz	—	4.2	—	dB
IF Gain Flatness — within any channel	—	—	±0.5	dB
RF AGC Range	—	40	—	dB
IF AGC Range 0.5 V to 3.3 V	—	36	—	dB
Spurious at Input Terminals:				
5 to 42 MHz	—	—	-59	dBmV
54 to 861 MHz	—	—	-55	dBmV
Spurious at Output Terminals	—	-65	—	dBc
2nd IF Image Rejection (Tuner board uses an external 1st IF SAW for image rejection)	64	—	—	dB
Distortions with -3 dBmV AGC Attack Point (99 Channels)	—	—	—	—
Beats within the output	—	-57	-49	dBc
Cross-Modulation Ratio	—	-55	-47	dBc
Composite Second Order (CSO)	—	-58	-54	dBc
Composite Triple Beat (CTB)	—	-59	-54	dBc
Phase Noise @ 1 kHz	—	-92	—	dBc/Hz
Phase Noise @ 10 kHz	—	-89	—	dBc/Hz
Phase Noise @ 100 kHz	—	-100	—	dBc/Hz
Phase Noise @ 1 MHz	—	-128	—	dBc/Hz

Table 7 specifies the tuner performance with high power settings for the reference design shown in Figure 30, which includes the applicable filtering. Note that this tuner can be operated in an extended frequency band of 861 MHz to 1000 MHz. In this extended band, Gain Variation and Noise Figure specs increase 1.0 dB.

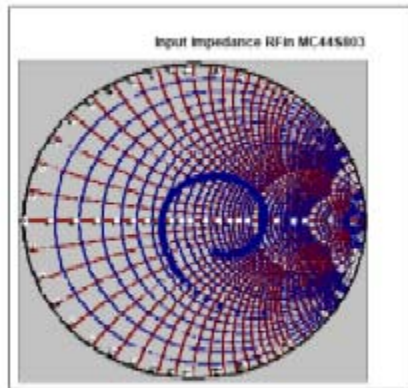
TEST CONDITIONS:

- $V_{DD} = 3.3\text{ V}$
- $T_A = 25^\circ\text{C}$
- Second IF = 44 MHz
- RF Frequency Range = 57 to 861 MHz

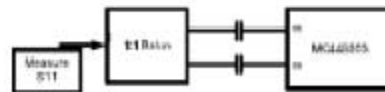
Parameter	Atten	Pre Amp1	Mix1	Pst Amp2	IF Amp
Gain	0 dB	Nom	—	8.3 dB	6.0 dB
Power	—	Nom	High	Nom	Nom

Table 7. Tuner Performance (High Power Settings)Data for $V_{CC} = 3.3\text{ V}$, 25°C , RFAGC for minimum attenuation = 2.0 V

Parameter	Min	Typ	Max	Units
Supply Current — Nominal power mode	—	315	—	mA
Supply Current — All blocks shutdown	—	12	14	mA
Noise Figure Channel 57 MHz	—	6.6	7.5	dB
Noise Figure Channel 861 MHz	—	8.2	9.0	dB
Noise Figure Channel 1000 MHz	—	9.0	10.0	dB
Conversion Gain — All max settings				
57 MHz	88	91	95	dB
861 MHz	84	87	91	dB
1000 MHz	83	86	90	dB
Conversion Gain — All min settings				
57 MHz	80	84	87	dB
861 MHz	76	80	83	dB
1000 MHz	75	79	82	dB
Gain Variation — Variation in Gain for one tuner over 57MHz--861MHz	—	4.2	—	dB
IF Gain Flatness — within any channel	—	—	± 0.5	dB
RF AGC Range	—	40	—	dB
IF AGC Range 0.5 V to 3.3 V	—	36	—	dB
Spurious at Input Terminals:				
5 to 42 MHz	—	—	-59	dBmV
54 to 861 MHz	—	—	-55	dBmV
Spurious at Output Terminals	—	-60	—	dBc
2nd IF Image Rejection	64	—	—	dB
Distortions with 0 dBmV AGC Attack Point	—	—	—	—
Beats within the output	—	-59	-52	dBc
Cross-Modulation Ratio	—	-56	-52	dBc
Composite Second Order (CSO)	—	-66	-54	dBc
Composite Triple Beat (CTB)	—	-63	-57	dBc
Distortions with -3 dBmV AGC Attack Point	—	—	—	—
Beats within the output	—	-60	-52	dBc
Cross-Modulation Ratio	—	-61	-57	dBc
Composite Second Order (CSO)	—	-66	-58	dBc
Composite Triple Beat (CTB)	—	-66	-62	dBc
Phase Noise @ 1 kHz	—	-92	—	dBc/Hz
Phase Noise @ 10 kHz	—	-89	—	dBc/Hz
Phase Noise @ 100 kHz	—	-100	—	dBc/Hz
Phase Noise @ 1 MHz	—	-128	—	dBc/Hz



S11 Impedance		
MHz	R	I
10	33	-j39
50	35	-j1
100	38	j10
200	43	j24
500	95	j40
800	97	-j33
1000	59	-j24



RFinput Impedance and Measurement Circuit

Figure 3. RFinput Impedance MC44S803 Drawing

DIGITAL INTERFACE

The digital control interface has the capability to interface with Serial Peripheral Interface (SPI) or I²C buses. Five pins are shared between the two buses. A Bus Select pin, (BusSel), as shown in Table 8, is used to determine which bus will be used. The BUSSEL pin has an internal pull-up resistor. For a logic one the pin may be left open and for a logic zero it should be connected to ground.

For the I²C bus, two pins are used to select one of four I²C addresses. This allows up to four tuners on the same bus for applications that use multiple tuners. The two pins used for the I²C bus are the Clock and Data pins. The data pin is bi-directional. The SPI bus uses four pins: Slave Select (SS), Serial Clock (SCLK), Master Out Slave In (MOSI), and Master In Slave Out (MISO). Data is read from the part through the MISO pin. For multiple tuner application using the SPI interface, each device shares the Clock, MOSI and MISO lines. Each device is supplied its own Slave Select line. The Slave Select and MISO pins for the SPI share the same pins as the two address lines for the I²C bus. Internally, the two buses share the same Control, Data, and Shift registers that interface with each section of the IC.

Table 8. Interface Bus Selection

Bus Select Pin	Interface Standard
0	SPI
1	I ² C

SERIAL PERIPHERAL INTERFACE (SPI) OPERATION

A 24-bit shift register is used to shift data in and out of the device. The input data stream is clocked on the rising edge of SCLK into a shift register with the MSB first. If more than 24 bits are clocked in only the last 24 bits inputted are

recognized. If less than 24 bits are required, only the required bits need to be clocked in. No back filling is required. The output data stream is clocked out of the shift register on the falling edge of SCLK with the MSB first. The bus master samples the MISO line on the rising edge of SCLK. Every SPI operation is both a read and a write operation, since the data is input on one pin and output on a different pin. Read data out while clocking data in. The data stored in the shift register is loaded into one of the appropriate registers after the rising edge of SS. The 4 LSBs are the Control Register Address Bits.

I²C OPERATION

The same 24-bit shift register is used to shift data in and out of the part. The input data stream is clocked in on the rising edge of SCLK into the shift register with the MSB first. The IC Address and R/W bit are sent first. This allows the IC to determine if it is the device that is being communicated with. After that, 24 bits are clocked in to control the IC. If less than 24 bits are required, then 16 or 8 bits could be used. In other words, commands can be sent in 1, 2, or 3 byte increments depending on the requirements for the particular control register you are writing to. Data can be read back from the IC in 1, 2, or 3 byte increments also. The Master controls the clock line, whether writing to the part or reading from it. After each byte that is sent, the device that receives it sends an acknowledge bit. The output data stream is clocked out of the shift register on the falling edge of SCLK and valid on the rising edge, with the MSB first. The data stored in the shift register is loaded into one of the appropriate registers after the Stop Condition is sent. The 4 LSBs are the Control Register Address Bits.

READ OPERATION PROTOCOL

The following flowchart is provided to show the steps required to read out a particular Data Register. Note that when using the SPI interface, since there are separate lines for data in (MOSI) and data out (MISO), each SPI operation

is both a read and a write operation. But the data being read out is not affected by the command that is actively being written to the IC. The command doesn't take effect until the SPI operation is completed.

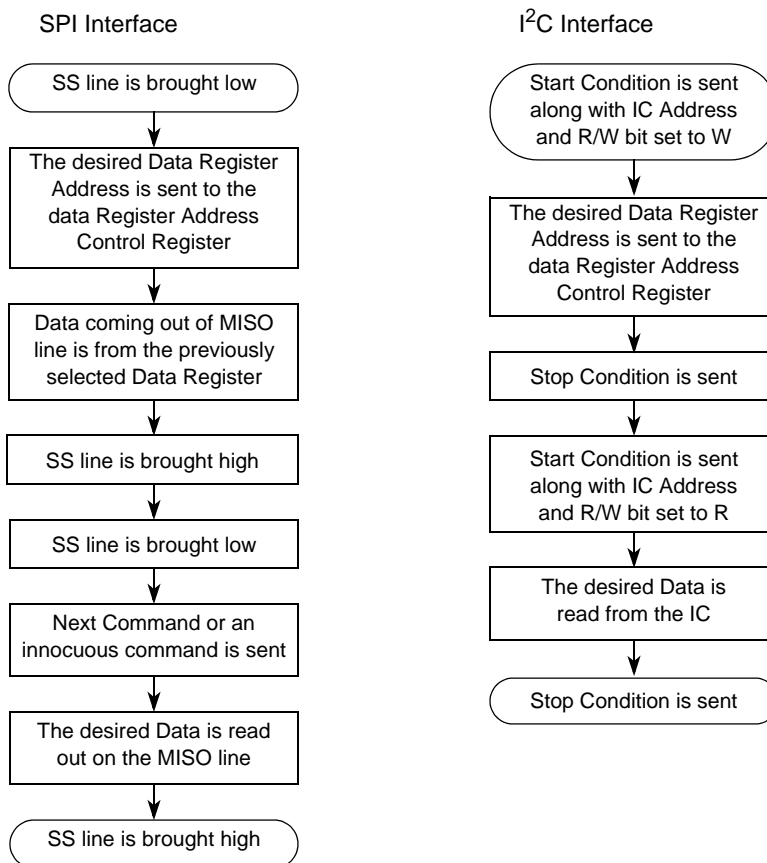


Figure 4. Read Operation Protocol

ADDRESSES

There are three type of addresses referred to in this document.

I²C DEVICE ADDRESS

Since the I²C bus is a two-wire bus that does not have a separate select line, each IC on the bus has a unique address. This address is sent each time an IC is communicated with. The address is the first seven bits that are sent to the IC. The eighth bit sent is the R/W bit, it determines whether the master will read from or write to the IC. Five fixed bits and two pin selectable bits set the address of this IC. Address bit 2 is set with the MISO/Addr2 pin. Address bit 1 is set with the SS/Addr1 pin.

Table 9. I²C IC Address

MSB							LSB
IC Address							
7	6	5	4	3	2	1	R/W
1	1	0	0	0	X	X	X

CONTROL REGISTER ADDRESS

Each command that is sent to the IC is stored in its corresponding Control Register. The Control Register Address specifies which command is being sent.

DATA REGISTER ADDRESS

There are 16 registers for data that can be read from the IC. The Data Register Address specifies which register is read during the next read operation. The address of the desired data register is stored in the Control Register called Data Register Address.

DIGITAL INTERFACE TIMING

SPI TIMING

SPI buses can have one of four serial clock phase and polarity combinations. Freescale microcontrollers should be configured using CPOL = 0 and clock phase, CPHA = 0. See the product documentation for more information. A clock polarity of 0 simply means that the slave samples MOSI line and master samples MISO line on the rising edge of the SCLK. A clock phase of 0 means that the first edge on the SCLK line is used to clock the first data bit of the slave into the master and the first data bit of the master into the slave. MOSI and MISO transition on the falling edge of SCLK.

The MISO pin has an open drain output that is pulled up by an external resistor. This allows multiple tuners to share the same MISO line. The output from the MISO line can be disabled by programming the SO bit of the Reset/SO Enable register to 0. The MISO line is disabled at power up and reset.

The first bit out of MISO is repeated. For 24 bits clocked out, the last three bits are fixed as 110.

The SPI/I²C interface lines are 5.0 V tolerant. Therefore, they can be pulled up to 5.0 V if that is required to interface with the microprocessor in a given application.

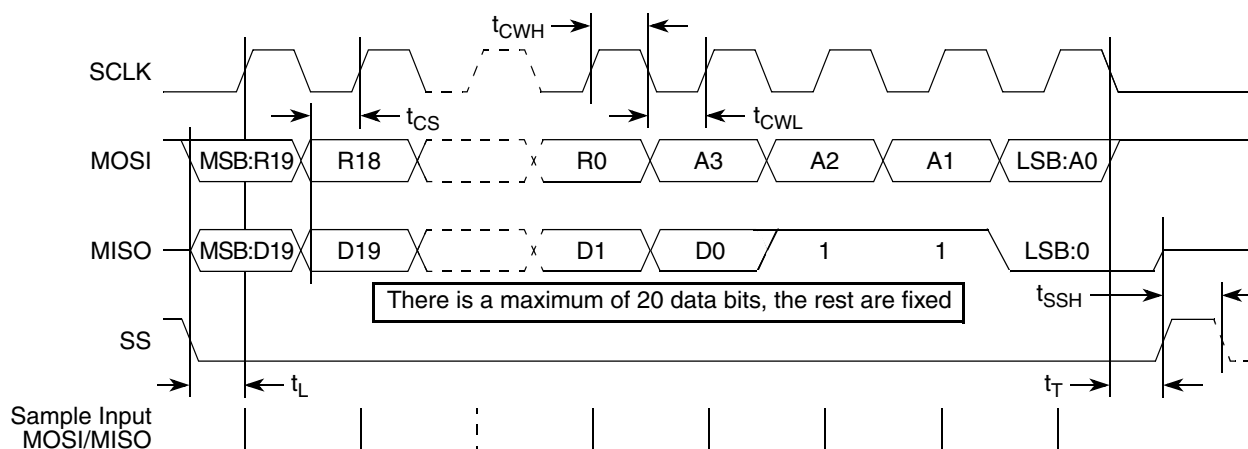


Figure 5. SPI Timing Diagram

Table 10. SPI Interface Bus Specifications

See Figure 5 for timing references.

Characteristic ⁽¹⁾	Symbol	Min	Typ	Max	Units
Low Level Output Voltage	V_{OL}	—	—	0.4	V
High Level Input Voltage	V_{IH}	2.3	—	—	V
Low Level Input Voltage	V_{IL}	—	—	1.0	V
Absolute Maximum Input Voltage	V_{IN}	—	—	5.5	V
SCLK Frequency	f_{SCLK}	—	—	2.0	MHz
Data to Clock Set Up Time	t_{CS}	—	—	—	ns
Clock Pulse Width High	t_{CWH}	—	—	—	ns
Clock Pulse Width Low	t_{CWL}	—	—	—	ns
Leading, SS Falling to SCK Rising	t_L	—	—	—	ns
Trailing, SCK Falling to SS Rising	t_T	—	—	—	ns
SS Pulse Width High	t_{SSH}	—	—	—	ns

1. Unless otherwise noted; $V_{DD} = 3.3$ Vdc, $V_{SS} = GND = 0$ Vdc, $0 < T_A < 85^\circ\text{C}$.

INTER-IC (I²C) INTERFACE TIMING

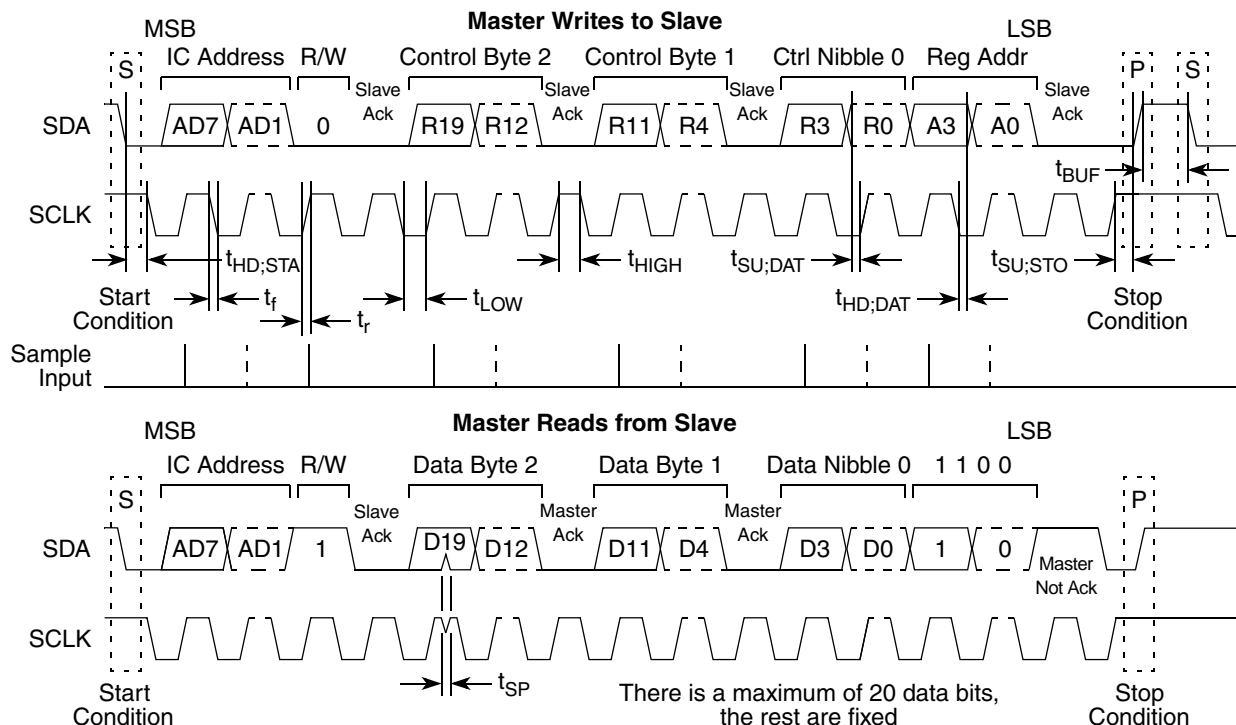


Figure 6. I²C Timing Diagram

Table 11. I²C Interface Bus Specifications

Parameter	Symbol	Min.	Max.	Units
Low Level Output Voltage	V_{OL}	0	0.4	V
		0	$0.2 V_{DD}$	
High Level Input Voltage	V_{IH}	$0.7 V_{DD}$	$V_{DDmax}+0.5$	V
Low Level Input Voltage	V_{IL}	-0.5	$0.3 V_{DD}$	V
Absolute Max Input Voltage	—	—	5.0	V
Hysteresis of Schmitt Trigger Inputs	V_{hys}	$0.05 V_{DD}$	—	V
		$0.1 V_{DD}$	—	
Capacitance for each I/O Pin ⁽¹⁾	C_{in}	—	10	pF
Pulse Width of Spikes Filtered Out	t_{SP}	0	50	nS
SCLK Frequency	f_{SCLK}	0	800	kHz
Hold Time Start Condition	$t_{HD;STA}$	500	—	ns
Set-Up Time for Repeated Start	$t_{SU;STA}$	500	—	ns
Data Set-Up Time	$t_{SU;DAT}$	100	—	ns
Data Hold Time	$t_{HD;DAT}$	0	—	ns
Set-Up Time for Stop Condition	$t_{SU;STO}$	500	—	ns
Low Period of the SCLK Clock	t_{LOW}	0.6	—	μ s
High Period of the SCLK Clock	t_{HIGH}	0.6	—	μ s
Rise Time of both SDA and SCLK	t_r	$20 + 0.1C_b$	300	ns
Fall Time of both SDA and SCLK	t_f	$20 + 0.1C_b$	300	ns
Bus Free Time between Stop and Start	t_{BUF}	200	—	ns

1. C_b = total capacitance of one bus line in pF.

CONTROL REGISTER DEFINITIONS

Each Control Register controls a different area of the IC. The description of each register follows.

written to is a function of the Control Register Address Bits. These are the 4 LSBs, A3 to A0.

CONTROL REGISTER FORMAT

There is a set of control registers that are programmed to tune and adjust the IC. Which particular control register is

MSB																LSB							
R19	R18	R17	R16	R15	R14	R13	R12	R11	R10	R9	R8	R7	R6	R5	R4	R3	R2	R1	R0	A3	A2	A1	A0
Control Register Bits																				Address Bits			

Figure 7. Control Register Format

Table 12. Control Register Address Map

Register Function	Address Bits				Control Reg. CR-x
	R19-R0	A3	A2	A1	
Power Down	0	0	0	0	0
Reference Oscillator	0	0	0	1	1
Reference Dividers	0	0	1	0	2
Mixer & Reference Buffer	0	0	1	1	3
Reset/Serial Out	0	1	0	0	4
LO 1	0	1	0	1	5
LO 2	0	1	1	0	6
Circuit Adjust	0	1	1	1	7
Test	1	0	0	0	8
Digital Tune	1	0	0	1	9
LNA AGC	1	0	1	0	10
Data Register Address	1	0	1	1	11

POWER DOWN REGISTER (CR-0)

The Power Down Register allows various circuits to be powered down to save power when not in use. A 1 written to any of the control bits power down the corresponding circuit. Conversely, a 0 written to any of the control bits powers up the corresponding circuit. The reset state for all bits is 1. After DC power is applied or software reset, the IC is powered up

by writing 0s to all desired bits. The interface bus circuits are never powered down because they are needed in order to power the IC back up. One should wait at least 20 millisecond between the time that the IC is powered up through this command and performing a digital tune of the VCOs. This time will allow the reference oscillator to stabilize.

MSB																LSB								
R19	R18	R17	R16	R15	R14	R13	R12	R11	R10	R9	R8	R7	R6	R5	R4	R3	R2	R1	R0	A3	A2	A1	A0	
1	1	1	1	1	1	1	1	1	1	1	1	1	1	1	1	1	1	1	1	0	0	0	0	Reset State
IF Pwr Det	RF Pwr Det	Buf2	Ref Osc	AGC Amp	Reserved	Reserved	IF2	IF1	LNA	Reserved	Mix1	Synth2	CP2	Reserved	VCO2	Synth1	CP1	Buf1	VCO1	Address Bits				

Figure 8. Power Down Register Format

Table 13. Power Down Bit Table

Bit	Mnemonic	Function
0	VCO 1	Voltage Controlled Oscillator 1
1	Buf1	VCO 1 Buffer
2	CP1	Charge Pump 1
3	Synth1	Synthesizer 1
4	VCO 2	Voltage Controlled Oscillator 2
5	Reserved	Reserved
6	CP2	Charge Pump 2
7	Synth2	Synthesizer 2
8	Mix1	First Mixer
9	Reserved	Reserved
10	LNA	Low Noise Amplifier
11	IF1	First IF
12	IF2	Second IF
13	Reserved	Reserved
14	Reserved	Reserved
15	AGC Amp	AGC Amplifier
16	Ref Osc	Reference Oscillator
17	Buf2	VCO 2 Buffer
18	RF Pwr Det	RF Power Detector
19	IF Pwr Det	IF Power Detector

REFERENCE OSCILLATOR REGISTER (CR-1)

The Reference Oscillator register contains bits that affect the operation of the reference oscillator. There is only one bit that needs to be changed. That bit is **Osc Sel**. This should be set according to the table below. All other bits should be kept at their reset values with the exception of the start up sequence.

The start up programming sequence is as follows:

```
CR1 = 10 11xx xxxx 0001   Crystal Oscillator
Register
```

```
CR0 = Power down register (typically program
all circuits to power up with:
0000 0000 0010 0000 0000 0000)
```

Wait 10mS before issuing next CR1 command

```
CR1 = 10 01xx xxxx 0001   (second CR1 com-
mand)
```

Wait 20mS between the second CR1 command and a CR9 command. (Other registers can be written during this 20mS wait period.)

CR9 (prescaler)

CR9 command for LO1 auto tune

CR9 command for LO2 auto tune

Note: The crystal oscillator needs to be operating before the CR9 registers are written.

MSB										LSB				
R9	R8	R7	R6	R5	R4	R3	R2	R1	R0	A3	A2	A1	A0	
0	0	0	1	0	0	0	0	0	0	0	0	0	1	Reset State
Osc Sel	Ref Osc									Address Bits				

Figure 9. Reference Oscillator Register Format

Table 14. Oscillator Sel Bit

Crystal Frequency	Osc Sel
4.0 MHz to <16 MHz	0
16 MHz to 28 MHz	1

PROGRAMMABLE R1 & R2 REFERENCE DIVIDERS REGISTER (CR-2)

Selects the First and Second LO reference frequencies, which are divided down from the crystal frequency by the divide ratios specified by the respective Divider Ratio bits. The **Ref Buf En** bit enables the reference buffers for LO1 and

LO2. In normal operation, this bit is programmed to 1. The Reference Dividers are actually R+1 dividers, therefore the number to program into this register for R1 Divide Ratio and R2 Divide Ratio must be one less than the desired divide ratio.

MSB												LSB							
R14	R13	R12	R11	R10	R9	R8	R7	R6	R5	R4	R3	R2	R1	R0	A3	A2	A1	A0	
0	0	0	0	1	1	0	0	0	0	0	1	0	0	0	0	0	1	0	Reset State
R1 Divide Ratio				Ref Buf En	R2 Divide Ratio								Address Bits						

Figure 10. Reference Divider Register Format

REFERENCE BUFFER REGISTER (CR-3)

The BufIOP and BufIOM pins output a buffered reference oscillator signal. The oscillator frequency can be changed by the R3 divider before it exits the BufIO pins. The R3 divider

does not effect which frequency the tuner is tuned to. In addition, the gain of the sine wave buffer can be selected. If Buf Gain bit is 1 then the buffer is at full gain, if it is 0 it is at half gain.

MSB												LSB								
R15	R14	R13	R12	R11	R10	R9	R8	R7	R6	R5	R4	R3	R2	R1	R0	A3	A2	A1	A0	
1	1	1	1	1	1	1	0	0	1	0	0	0	0	0	0	0	0	1	1	Reset State
R	R	R	R	R	R	R	Buf I/O	Buf Gain	Tri State	Osc Scr	Mux 4	Mux 3	R3 Divide Ratio							
Reserved		Reserved		Reserved			Sine Wave Buffer Output						Address Bits							

Figure 11. Reference Buffer Register

Table 15. R3 Divide Ratio

Divide Ratio	R2	R1	R0
1	0	0	0
2	1	0	0
4	1	0	1
6	1	1	0
8	1	1	1

Table 16. Sine Wave Buffer Configuration

Condition	R8	R7	R6	R5	R4	R3	R2
-----------	----	----	----	----	----	----	----

The Reference switches allow the Buffer In/Out pins to be reconfigured so that a second tuner can be driven from the crystal of a first tuner. The block diagram in Figure 12 shows where the switches are located. Programming a 1 to **Buf I/O**

Table 16. Sine Wave Buffer Configuration (continued)

Normal Crystal Op	0	0	1	0	0	0	0
Pass Thru Crystal Freq	0	Note ⁽¹⁾	0	0	0	1	0
Divide by 2, 4, 6, 8, or 10	0	Note ⁽¹⁾	0	0	1	0	1
Reverse Path for Osc Source	1	0	1	1	0	0	0
Pass Ref Osc Directly to Buffer Pins	1	0	1	0	0	0	0

1. Depends on Amplitude 0 = Low Gain, 1 = High Gain

and **Buf Scr** routes the divided oscillator signal out the Buf I/O pins. A 0 allows the crystal from another tuner to drive this tuner. See the Reference Oscillator section for more information on multi tuner configurations.

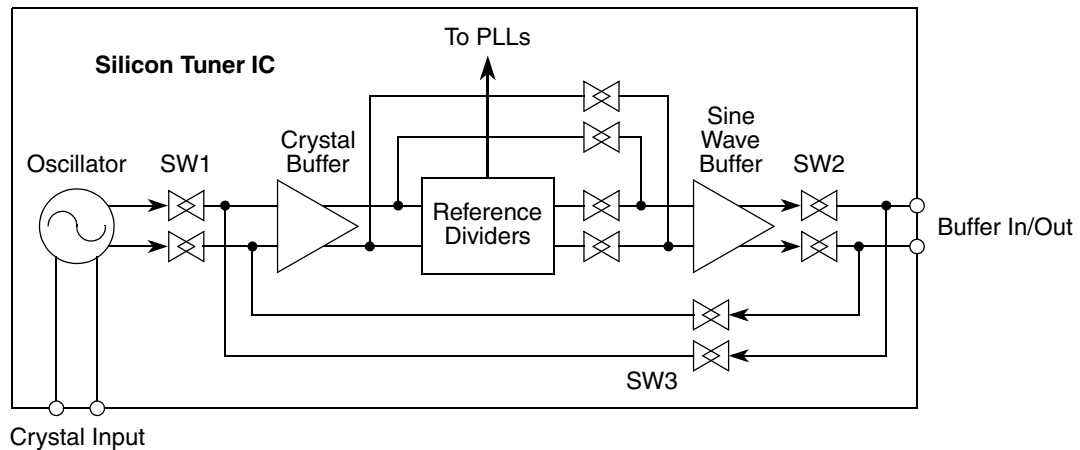


Figure 12. Reference Oscillator Buffer

RESET/SERIAL OUT REGISTER (CR-4)

The Reset/Serial Out Register consists of a 2-bit latch. The part will be in reset when a logic “1” is written to the **RS** bit location. **The part will be in reset until a logic “0” is written to the RS bit location.** The serial data format is shown below. This register or the power on reset (POR) circuitry

output will initiate reset. The Reset States of registers is indicated where applicable.

Writing a logic “1” to the **SO** bit location will activate the MISO port. The part will disable the MISO port upon a reset. This only affects SPI operation not I²C operation. **SC** is always programmed to 0.

MSB			LSB				
R2	R1	R0	A3	A2	A1	A0	
0	0	0	0	1	0	0	Reset State
SC	SO	RS	Address Bits				

Figure 13. Reset/Serial Out Register Format

Table 17. Reset State Table

State	RS
Not In Reset	0
In Reset	1

Table 18. SO Setup Register Table

S0	Function	
0	SO Disabled	Reset State
1	SO Active	

LOCAL OSCILLATOR 1 REGISTER (CR-5)

The N1 divider consists of a 12 bit N counter. The range of N1 values is from 2 to 4097. The serial data format is shown

in Table 19. This N divider is actually an N+2 divider. In other words, the bits that are programmed into the register are 2 less than what is calculated for the given frequency.

MSB												LSB				
R11	R10	R9	R8	R7	R6	R5	R4	R3	R2	R1	R0	A3	A2	A1	A0	
0	0	0	1	1	0	1	0	0	0	1	1	0	1	0	1	Reset State
N11	N10	N9	N8	N7	N6	N5	N4	N3	N2	N1	N0	Address Bits				
N1 Counter																

Figure 14. LO 1 Register Format

Table 19. 12 Bit N Counter Control Bits (N1)

N Counter Value	N11	N10	N9	N8	N7	N6	N5	N4	N3	N2	N1	N0	
2	0	0	0	0	0	0	0	0	0	0	0	0	
*	*	*	*	*	*	*	*	*	*	*	*	*	
421	0	0	0	1	1	0	1	0	0	0	1	1	Reset State
*	*	*	*	*	*	*	*	*	*	*	*	*	
4097	1	1	1	1	1	1	1	1	1	1	1	1	

Counter Value Functions (N1)

The First LO Frequency is a function of reference frequency and the N1 and R1 dividers as described in the F_{VCO1} equation.

$$F_{VCO1} = N1 * F_{OSC} / R1$$

Where:

- F_{VCO1} : Output frequency of the first voltage controlled oscillator (VCO1)

- N1: Value of control bits for 15 bit programmable N1 counter. (N1-2 is actually programmed into register)
- F_{OSC} : Output frequency of the reference frequency oscillator. (Example: $F_{OSC} = 4.0$ MHz)
- R1: Divide ratio of first programmable reference counter.
- F_{REF1} : Reference Frequency for First LO. $F_{REF1} = F_{OSC} / R1$. (R1-1 is actually programmed into Reference Dividers register)

LOCAL OSCILLATOR 2 REGISTER (CR-6)

The N2 divider consists of a 15 bit N counter. The range of N2 values is from 2 to 32769. The serial data format is shown

in Table 20. This N divider is actually an N+2 divider. In other words, the bits that are programmed into the register are 2 less than what is calculated for the given frequency.

MSB															LSB				
R14	R13	R12	R11	R10	R9	R8	R7	R6	R5	R4	R3	R2	R1	R0	A3	A2	A1	A0	
0	0	1	0	0	0	0	1	1	0	1	0	1	0	0	0	1	1	0	Reset State
N14	N13	N12	N11	N10	N9	N8	N7	N6	N5	N4	N3	N2	N1	N0	Address Bits				
N2 Counter																			

Figure 15. LO 2 Register Format

Table 20. 15 Bit N Counter Control Bits (N2)

N Counter Value	N14	N15	N12	N11	N10	N9	N8	N7	N6	N5	N4	N3	N2	N1	N0	
2	0	0	0	0	0	0	0	0	0	0	0	0	0	0	0	
*	*	*	*	*	*	*	*	*	*	*	*	*	*	*	*	
4310	0	0	1	0	0	0	0	1	1	0	1	0	1	0	0	Reset State
*	*	*	*	*	*	*	*	*	*	*	*	*	*	*	*	
32769	1	1	1	1	1	1	1	1	1	1	1	1	1	1	1	

Counter Value Functions (N2)

The Second LO Frequency is a function of reference frequency and the N2 and R2 dividers as described in the F_{VCO2} equation.

$$F_{VCO2} = N2 * F_{OSC} / R2$$

Where:

- F_{VCO2} : Output frequency of the second voltage controlled oscillator (VCO2)
- N2: Value of control bits for 15 bit programmable N2 counter. (N2-2 is actually programmed into register)

- F_{OSC} : Output frequency of the reference frequency oscillator. (Example: $F_{OSC} = 4.0$ MHz)
- R2: Divide ratio of second programmable reference counter.
- F_{REF2} : Reference Frequency for Second LO. $F_{REF2} = F_{OSC} / R2$. (R2-1 is actually programmed into Reference Dividers register)

CIRCUIT ADJUST REGISTER (CR-7)

The Circuit Adjust Register provides gain and power adjustments to various circuits.

MSB												LSB													
R16	R15	R14	R13	R12	R11	R10	R9	R8	R7	R6	R5	R4	R3	R2	R1	R0	A3	A2	A1	A0					
0	0	0	0	0	0	0	0	1	1	1	1	1	1	0	1	1	0	1	1	1	Reset State				
CLIF	CLRF	LP5	Reserved	LP3	LPB2	LPB1	LPB0	S1	G7	G6	Reserved	Reserved	G3	Reserved	G1	Reserved	Address Bits								
IF Detec tor	RF Detec tor	IF AGC Amp		Post Amp 2	Mix1		Pre Amp 1	Out Sel	IF Amp Gain				Post Amp 2 Gain Adjust		Pre Amp 1 Gain Adjust										
Clear Detector		Power Adjust																							

Figure 16. Circuit Adjust Register Format

The **G7** and **G6** bits give a limited amount of gain control to Second IF Amplifier. This gain adjustment is not intended for AGC control but as a way to easily adjust the gain distribution within the tuner. Table 21 shows the affect of the **IF Amp Gain** bits.

Table 21. IF Amp Gain

IF Amp Gain	G7	G6	
6.0 dB	0	0	
12 dB	0	1	
18 dB	1	0	
20 dB	1	1	Reset State

In a similar manner, **G3** adjusts the gain of the Post Amplifier 2 as shown in Table 22.

Table 22. Post Amp 2 Gain

Post Amp 2 Gain	G3	
6.0 dB	0	
8.3 dB	1	Reset State

The **G1** bit adjusts the gain of Pre Amplifier 1 as shown in Table 23.

Table 23. Pre Amp 1 Gain

Pre Amp 1 Gain	G1	
Nominal	0	
+1.0 dB	1	Reset State

The Power Adjust bits put their respective amplifiers into Low Power mode, which consumes half the power. For bits **LP3** and **LP5** a 1 puts the amplifier in low power mode and a 0 puts it in nominal mode. For bit **LPB0** a 0 puts Pre Amp 1 in a low power mode and a 1 puts it in nominal mode.

Table 24 shows the settings for bits **LPB2** and **LBP1** for adjusting the power level of Mixer 1.

Table 24. Mixer 1 Power Adjust

Mixer 1 Power	LPB2	LBP1	Reset State
Low	0	0	
Nominal	0	1	
Middle	1	0	
High	1	1	

The **S1**, Output Select, routes the signal to one of the two Second IF output paths as shown in Table 25.

Table 25. Output Select

State	S1	Reset State
Analog Port	0	
Digital Port	1	

CLRF and **CLIF** bits clear the RF and IF detector respectively. The peak detectors continue to record the peak levels that they see until they are cleared and a new measurement starts. To clear the detector, write a 1 to **CLRF** or **CLIF**. Then write a 0 to **CLRF** or **CLIF** to bring the detector out of the clear state. The detector will then operate in a “max hold” mode where it continually records the highest peak that it sees.

TEST REGISTER (CR-8)

The Test Register controls the various self test modes and directs test signals to the test pins.

MSB														LSB														Reset State
R18	R17	R16	R15	R14	R13	R12	R11	R10	R9	R8	R7	R6	R5	R4	R3	R2	R1	R0	A3	A2	A1	A0						
0	0	0	0	0	0	0	0	0	0	0	1	0	1	1	1	0	1	1	1	0	0	0	Reset State					
T6	RL	RE	T5	AB	T4	T3	T2	T1	T0	GP	TB3	TB2	TB1	TB0	TA3	TA2	TA1	TA0	Address Bits									
Test	Reg Test Low	Reg Test En	Test	Func Sel	Test					Gen Purp Out	Test Pin Func B				Test Pin Func A				Address Bits									

Figure 17. Test Register Format

RE – Regulator Test Enable: Enables the internal regulator testing.

RL – Regulator Test Low: Determines if High Voltage Test = 0 or Low Voltage Test = 1 is tested when test is enabled.

Test bits: **T6:T0** are always programmed to 0.

The **Test Pin Function** bits control which signal is sent to the test pin. The test pin has a user selectable function that is used to monitor internal signals for test and development. The **TB3:TB0** and **TA3:TA0** are used to select the function. The **Func Sel:AB** bit is use to choose between function list A (0) shown in Table 26 and function list B (1) shown in Table 27. In normal operation, the **Test Pin Func** bits should be set to the Disable mode, which is the reset state. Or, the lock status could be routed to a microprocessor input for monitoring. When the PLL lock detect logic signal is sent to the test pin, a high state indicates PLL in lock.

The **Gen Purp Out** bit can be routed out the test pin. The test pin could then be used as a logic output to control an external circuit. The state of the logic output would then be changed by programming **Gen Purp Out**.

Table 26. Test Pin Function List A

Test Function #	TA3	TA2	TA1	TA0	Test Pin Function A	
0	0	0	0	0	PLL2 Lock Detect	
1	0	0	0	1	Not Used	
2	0	0	1	0	VCO 1 Out	
3	0	0	1	1	General Purpose Output 1	
4	0	1	0	0	Power On Reset Bar	
5	0	1	0	1	PLL1 & PLL2 Lock Detect	
6	0	1	1	0	VCO 1 in Range	
7	0	1	1	1	PLL1 Lock Detect	
8	1	0	0	0	R1 Ref Divider Out, ÷ 2	
9	1	0	0	1	PLL2 Prog Divider Out, ÷ 2	
10	1	0	1	0	VCO 1 Divided by 64 Out	
11	1	0	1	1	Disable = Low	Reset State
12	1	1	0	0	PLL1&2 LD & VCO1&2 In Range	
13	1	1	0	1	Phase Detect 1 Down Test	
14	1	1	1	0	Phase Detect 2 Down Test	
15	1	1	1	1	Reserved	

Table 27. Test Pin Function List B

Test Function #	TB3	TB2	TB1	TB0	Test Pin Function B	
0	0	0	0	0	Reserved	
1	0	0	0	1	VCO 2 Out	
2	0	0	1	0	Not Used	
3	0	0	1	1	Reserved	
4	0	1	0	0	Sinewave Buffer	
5	0	1	0	1	Reserved	
6	0	1	1	0	VCO 2 In Range	
7	0	1	1	1	PLL2 Lock Detect	
8	1	0	0	0	R2 Reference Divider Out, ÷ 2	
9	1	0	0	1	PLL1 Prog Divider Out, ÷ 2	
10	1	0	1	0	VCO 2 Divided by 64 Out	
11	1	0	1	1	Disable = Low	Reset State
12	1	1	0	0	Phase Detect 1 Up Test	
13	1	1	0	1	Phase Detect 2 Up Test	
14	1	1	1	0	Reserved	
15	1	1	1	1	Reserved	

DIGITAL TUNE MODULE (CR-9)

CR-9 is unique in that CR-9 register data is latched with the crystal clock while all other registers are latched with the SPI/I2C clock. Therefore, the crystal oscillator must be running before data is written to CR-9.

The Digital Tune module is a state machine that controls the capacitors in the VCOs for both VCO 1 and VCO 2. This is used as a course tune adjustment for the VCO frequency.

The Digital Tune Module is controlled through five registers. In addition to the normal control register address, it uses an additional three address bits (DT Address) to access one of the five Digital Tune registers. There is also a **RW** bit that determines which register is read back; 1 = Read and 0 = Write. The following diagrams show a description of the registers.

MSB																LSB				Reset State				
R19	R18	R17	R16	R15	R14	R13	R12	R11	R10	R9	R8	R7	R6	R5	R4	R3	R2	R1	R0		A3	A2	A1	A0
	0	0	0	0	0	0	0	0	0	0	0	0	0	0	0	0	0	0	0	1	0	0	1	Address Bits
DC 15	DC 14	DC 13	DC 12	DC 11	DC 10	DC 9	DC 8	DC 7	DC 6	DC 5	DC 4	DC 3	DC 2	DC 1	DC 0	RW	DA2	DA1	DA0					
Rst								XOd						DT Address										

Figure 18. Digital Tune Register: XO Prescale Format

Rst. Writing a 1 to this bit will cause all Tune Request bits to clear, the count registers will clear, and the tuning state machine will return to idle state. To resume normal operation, first clear this bit and then proceed. This bit is for abnormal error recovery situations and should normally not be required.

XOd. This field is used to specify a pre-scale value. It is set according to what the crystal oscillator frequency is. Refer to the following table. This allows the count of the VCO cycles to exceed 2000 in the lowest VCO frequency case and be less than 8000 in the highest VCO frequency case.

Table 28. Prescaler Selection

Crystal Freq	Prescale	XOd1	XOd0	VCO Counting Time
4.0 MHz ≤ x < 4.2 MHz	1	0	0	15 XO clocks
4.2 MHz ≤ x < 8.2 MHz	2	0	1	30 XO clocks
8.2 MHz ≤ x < 16.5 MHz	4	1	0	60 XO clocks
16.5 MHz ≤ x ≤ 28 MHz	8	1	1	120 XO clocks

MSB																LSB				Reset State				
R19	R18	R17	R16	R15	R14	R13	R12	R11	R10	R9	R8	R7	R6	R5	R4	R3	R2	R1	R0		A3	A2	A1	A0
0	0	0	0	0	0	0	0	0	0	0	0	0	0	0	0	0	0	0	1	1	0	0	1	Address Bits
DC 15	DC 14	DC 13	DC 12	DC 11	DC 10	DC 9	DC 8	DC 7	DC 6	DC 5	DC 4	DC 3	DC 2	DC 1	DC 0	RW	DA 2	DA 1	DA 0					
MT1		AT1		LO1 Reference Count								DT Address												

Figure 19. Digital Tune Register: LO1 Reference Register Format

MSB																LSB								
R19	R18	R17	R16	R15	R14	R13	R12	R11	R10	R9	R8	R7	R6	R5	R4	R3	R2	R1	R0	A3	A2	A1	A0	
0	0	0	0	0	0	0	0	0	0	0	0	0	0	0	0	0	0	1	0	1	0	0	1	Reset State
DC 15	DC 14	DC 13	DC 12	DC 11	DC 10	DC 9	DC 8	DC 7	DC 6	DC 5	DC 4	DC 3	DC 2	DC 1	DC 0	RW	DA 2	DA 1	DA 0	Address Bits				
MT2		AT2	LO2 Reference Count										DT Address											

Figure 20. Digital Tune Register: LO2 Reference Register Format

MT1 and **MT2**. The Manual Tune request bits will initiate a Manual Tune cycle for LO1 and LO2, respectively. The Manual Tune cycle will count the selected VCO frequency and put the result in the LO1 or LO2 Result Count register. The Manual Tune bit will be automatically cleared when the count is finished. This is really just a way to measure the current frequency.

AT1 and **AT2**. The Auto Tune request bits will initiate an Automatic Tune cycle for LO1 and LO2 respectively. Upon completion of the Auto Tune cycle, this bit will automatically clear. After the Auto Tune cycle is completed the coarse tuning is finished.

The **LO1** and **LO2 Reference Count** is used to tell the Auto Tune cycle what frequency to tune to. It is not needed for a Manual Tune request. Write the respective reference count at the same time as setting **AT1** or **AT2**. The following equation is used to determine the reference count.

$$\text{Reference Count} = (15 * XOd * F) / (2 * XO)$$

Where: F = desired VCO frequency in MHz
XO = crystal frequency in MHz
XOd = XOdvider = 1, 2, 4, or 8 as specified in the XO Prescaler register.

MSB																LSB								
R19	R18	R17	R16	R15	R14	R13	R12	R11	R10	R9	R8	R7	R6	R5	R4	R3	R2	R1	R0	A3	A2	A1	A0	
0	0	0	0	0	0	0	0	0	0	0	0	0	0	0	0	0	0	1	1	1	0	0	1	Reset State
DC 15	DC 14	DC 13	DC 12	DC 11	DC 10	DC 9	DC 8	DC 7	DC 6	DC 5	DC 4	DC 3	DC 2	DC 1	DC 0	RW	DA2	DA1	DA0	Address Bits				
										LO1 Result Count						DT Address								

Figure 21. Digital Tune Register: LO1 Result Count (Read Only) Register Format

MSB																LSB								
R19	R18	R17	R16	R15	R14	R13	R12	R11	R10	R9	R8	R7	R6	R5	R4	R3	R2	R1	R0	A3	A2	A1	A0	
0	0	0	0	0	0	0	0	0	0	0	0	0	0	0	0	0	1	0	0	1	0	0	1	Reset State
DC 15	DC 14	DC 13	DC 12	DC 11	DC 10	DC 9	DC 8	DC 7	DC 6	DC 5	DC 4	DC 3	DC 2	DC 1	DC 0	RW	DA2	DA1	DA0	Address Bits				
										LO2 Result Count						DT Address								

Figure 22. Digital Tune Register: LO2 Result Count (Read Only)

LNA AGC REGISTER (CR-10)

The variable gain LNA (Low Noise Amplifier) is used to provide automatic gain control (AGC) at the RF frequency. The gain is varied with an external analog control voltage or digitally via the interface bus using **G5:G0**. The Control bits **AGC An Dig** bit determines if either analog or digital control is controlling the AGC. There are two RF AGC control pins,

FEAGC_A and **FEAGC_B**. This facilitates having the tuner connected to both analog and digital demodulators as found in many set-top boxes, thus eliminating the need for an external switch and its controls. The **AGC Sel** bit controls which of these pins are used. Figure 23 shows the LNA AGC register format.

MSB																				LSB				Reset State
R19	R18	R17	R16	R15	R14	R13	R12	R11	R10	R9	R8	R7	R6	R5	R4	R3	R2	R1	R0	A3	A2	A1	A0	
0	0	0	0	1	0	0	0	0	0	0	0	0	0	0	1	1	1	1	0	1	0	1	0	
B2	B1	At0	AGC Sel	LNA0	AGC Read En	Atten En	AGC An Dig	HL GR En	Reserved	Reserved	Reserved	At2	At1	G5	G4	G3	G2	G1	G0	Address Bits				
LNA Bias		Atten										Atten		Normal AGC										

Figure 23. LNA AGC Register Format

There is a programmable attenuator between the LNA and Mixer 1. To control this attenuator set **At2**, **At1**, and **At0** as shown in the Table 29 below. When the attenuator is set to a value greater than 0 dB, the **HL GR En** bit and **Atten En** bit is set high. This fixed gain adjustment has less of an affect on noise figure than setting the LNA gain while still improving distortion performance by limiting the levels hitting the first mixer.

Table 29. Attenuator Control

Attenuation	Attn En	HL GR En	At 2	At1	At0
0 dB	0	0	1	1	0
1.1 dB	1	1	1	1	1
2.2 dB	1	1	0	1	0
3.2 dB	1	1	0	1	1
4.1 dB	1	1	1	0	0
4.8 dB	1	1	1	0	1
5.6 dB	1	1	0	0	0
6.3 dB	1	1	0	0	1

Digital control, bits **G5:G0** are used to set the LNA gain. Values range from 0 maximum gain to 63 minimum gain. When using analog control the gain bits are not set. However, the equivalent gain setting can be read back from the part. The **AGC Read En** bit allows reading back of the RF AGC setting. A 1 for this bit allows read back. This feature allows the tuner to report back where the demodulator has set the AGC gain. Note that when reading back this register, bits **G2:G0** are inverted.

Table 30. RF AGC Control

Type of Control	AGC Sel	AGC AnDig	Gain Bits
			G5:G0
Digital	X	0	
FEAGC_A	1	1	X:X
FEAGC_B	0	1	X:X

The **LNA0** bit changes the dc output bias of the LNA. The **LNA Bias** bits, **B2:B1**, control the bias voltage in the LNA. Table 31 shows how these bits should normally be programmed. When reading the Regulator Test Data register, **LNA0** should be set to 0; otherwise, the LNA regulator test will fail.

Table 31. LNA Bias Control

LNA0	LNA Bias Bits
	B2:B1
1	01

DATA ADDRESS REGISTER (CR-11)

The Data Address Register sets the address of the data register to be read back during the next read from the IC. See Read Operations Protocol section for more detail as to how this is used. The default Data Address corresponds to the LNA AGC register (CR 10).

MSB				LSB				
R3	R2	R1	R0	A3	A2	A1	A0	
1	0	1	0	1	0	1	1	Reset State
D3	D2	D1	D0	Address Bits				
Data Address								

Figure 24. Data Address Register Format

DATA REGISTER DEFINITIONS

There are 16 Data Registers that can be read back from the IC. The 1011 Control Register (Data Register Address) controls which of these Data Registers will be read out of the IC during the next read operation. To select the desired Data

Register this address register first needs to be set. Then on the next read operation the desired data will be available.

The Data Register Format is shown in Figure 25.

MSB																LSB			
D19	D18	D17	D16	D15	D14	D13	D12	D11	D10	D9	D8	D7	D6	D5	D4	D3	D2	D1	D0
Data Register Bits																			

Figure 25. Data Register Format

Below is the Data Register Address Map that shows the function of each Data Register. The first 12 Data Registers read back the contents of the 12 Control Registers. They

have the same format as their corresponding Control Register. The rest of the registers display various status and self-diagnostic data.

Table 32. Data Register Address Map

Register Function	Address Bits			
	A3	A2	A1	A0
D19 – D0				
Power Down	0	0	0	0
Reference Oscillator	0	0	0	1
Reference Dividers	0	0	1	0
Reference Buffer	0	0	1	1
Reset/Serial Out	0	1	0	0
LO 1	0	1	0	1
LO 2	0	1	1	0
Circuit Adjust	0	1	1	1
Test	1	0	0	0
Digital Tune	1	0	0	1
LNA AGC	1	0	1	0
Data Register Address	1	0	1	1
Regulator Test	1	1	0	0
VCO Test	1	1	0	1
LNA Gain/Input Power	1	1	1	0
ID Bits	1	1	1	1

REGULATOR TEST DATA REGISTER (REGTEST)

The regulator comparator test compares the internal regulator voltages to reference voltages. A low voltage and high voltage test can be run. The type of test is determined by the **Reg Test Low** bit in the Test register. When **Reg Test Low** is High the low voltage test is run. When **Reg Test Low** is Low the high voltage test is run. In addition, to run either

test the **Reg Test En** bit in the Test register needs to be set high. In normal operation, when this test isn't being run, program the **Reg Test En** bit to 0. A failure of a Low test indicates the voltage is too low. For the low test, a 1 indicates correct operation. Similarly, a High test failure indicates the voltage is too high, but a 0 indicates correct operation.

MSB																				LSB			
D19	D18	D17	D16	D15	D14	D13	D12	D11	D10	D9	D8	D7	D6	D5	D4	D3	D2	D1	D0				
Reserved	Buf1	CP1	Synth1	Reserved	Buf2	CP2	Synth2	Quad	Reserved	LNA	1.8V												
Regulator Test Bits																							

Figure 26. Regulator Test Register Format

Table 33. Regulator Test Register Field Description

	Bit #	Circuit	Bit Name
LSB	0-6	Reserved	
	7	1.8 V Regulator	1.8 V
	8	Low Noise Amp	LNA
	9	Reserved	
	10	Reserved	
	11	Reserved	Reserved
	12	Synthesizer 2	Synth2
	13	Charge Pump 2	CP2
	14	VCO Buffer 2	BUF2
	15	Reserved	
	16	Synthesizer 1	Synth1
	17	Charge Pump 1	CP1
	18	VCO Buffer 1	BUF1
MSB	19	Reserved	

VCO TEST REGISTER (VCOTEST)

The VCO test shows the results of various VCO tests including: first and second VCO tuning ranges and, first and second LO lock status.

MSB																				LSB			
D19	D18	D17	D16	D15	D14	D13	D12	D11	D10	D9	D8	D7	D6	D5	D4	D3	D2	D1	D0				
RH1	RL1	RH2	RL2	LD1	LD2																		
VCO Test Bits																							

Figure 27. VCO Test Register Format

Table 34. VCO Test Register Field Description

	Bit #	Description	Bit Name	Pass
LSB	0 - 13	Reserved		
	14	Lock Detect LO2	LD2	1
	15	Lock Detect LO1	LD1	1
	16	VCO2 Out of Range Low	RL2	0
	17	VCO2 Out of Range High	RH2	1
	18	VCO1 Out of Range Low	RL1	0
MSB	19	VCO1 Out of Range High	RH1	1

CURRENT LNA GAIN DATA REGISTER (LNAgain)

This register holds the current LNA gain setting in the 6 MSBs of the register. When controlled by an external analog control, the analog voltage is converted to a digital word using an analog to digital converter (ADC). The resulting value is contained in **LNA Gain Bits**. The **AGC**

Read En bit, in the LNA AGC register, must be set to 1 in order to allow reading back of the RF AGC setting. Note that when reading back this register, bits **G2:G0** are inverted. Also note that when in the analog mode, the readings for levels corresponding to 0 through 9 are all read back as 9.

MSB												LSB							
D19	D18	D17	D16	D15	D14	D13	D12	D11	D10	D9	D8	D7	D6	D5	D4	D3	D2	D1	D0
G5	G4	G3	G2	G1	G0	P2	P1	P0	P2	P1	P0								
LNA Gain Bits						RF Pwr			IF Pwr										

Figure 28. LNA Gain Register Format

The **RF Pwr** bits contain the reading from the broadband power detector at the input of the IC. This is a broadband power detector that senses the total power at the input of the IC. It can be used to optimize performance of the front end by adjusting the AGC algorithm in case of high total input power. The **IF Pwr** bits contain the reading from the power detector at the second IF. It also is used to optimize performance.

Table 35. IF Power Detector Levels

	Level	P2	P1	P0	Peak mV
Highest	4	1	0	0	1271
	5	1	0	1	1113
	7	1	1	1	994
	6	1	1	0	881
	2	0	1	0	800
	3	0	1	1	700
	1	0	0	1	629
Lowest	0	0	0	0	< 629

Table 36. RF Power Detector Levels

	Level	P2	P1	P0	Peak mV
Highest	4	1	0	0	992
	5	1	0	1	824
	7	1	1	1	699
	6	1	1	0	627
	2	0	1	0	518
	3	0	1	1	441
	1	0	0	1	370
Lowest	0	0	0	0	< 370

The **CLRF** and **CLIF** bits of the Circuit Adjust register (CR-7), change the response time of RF and IF detectors, respectively. When set to instantaneous mode (1), the corresponding detector reads the instantaneous voltage peak. When set to normal mode (0), the input signals are integrated over a short period of time. This gives a more consistent reading. When there are many input signals, they add or subtract together on an instantaneous bases, so in the instantaneous mode there is more variation in detector readings than is typically desired. In either mode, a number

of readings should be taken and averaged. One needs to remember that the detector readings are Gray coded, so they need to be decoded before they are averaged. For the normal mode a minimum of 5 readings should be averaged. In instantaneous mode at least 32 readings should be averaged.

IDENTIFICATION REGISTER (IDBITS)

These Identification (ID) bits are fixed for each mask revision. See Table 37 for the ID bit values.

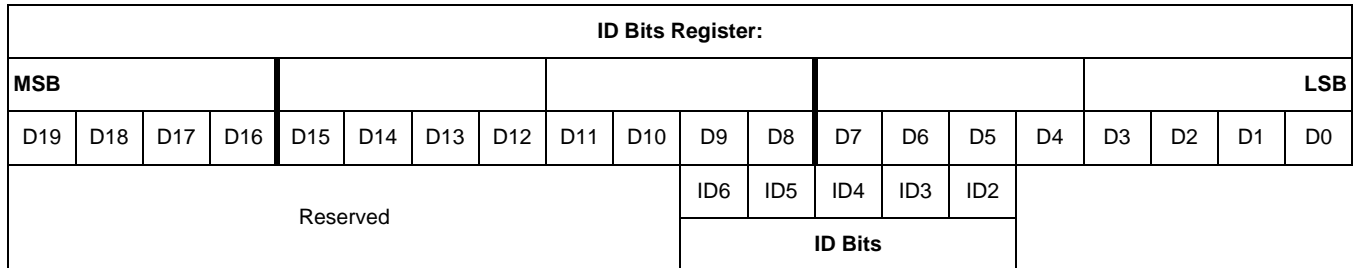


Figure 29. ID Register Format

Table 37. ID Register Bits

	Bit #	Description	Bit Value
LSB	0-4	Reserved	
	5	ID Bit 2	0
	6	ID Bit 3	0
	7	ID Bit 4	1
	8	ID Bit 5	0
	9	ID Bit 6	1
MSB	10-19	Reserved	

APPLICATIONS INFORMATION — SAMPLE SYSTEM DESIGN

Figure 30 shows a simplified block diagram for a sample system design. Note that the upstream and downstream frequency bands overlap. These are the limits of the frequency ranges. The actual bands are adjusted based on the target application.

Performance specifications (as previously listed in Table 6) dealing with overall tuner performance apply to the sample system design, since it includes the necessary filters.

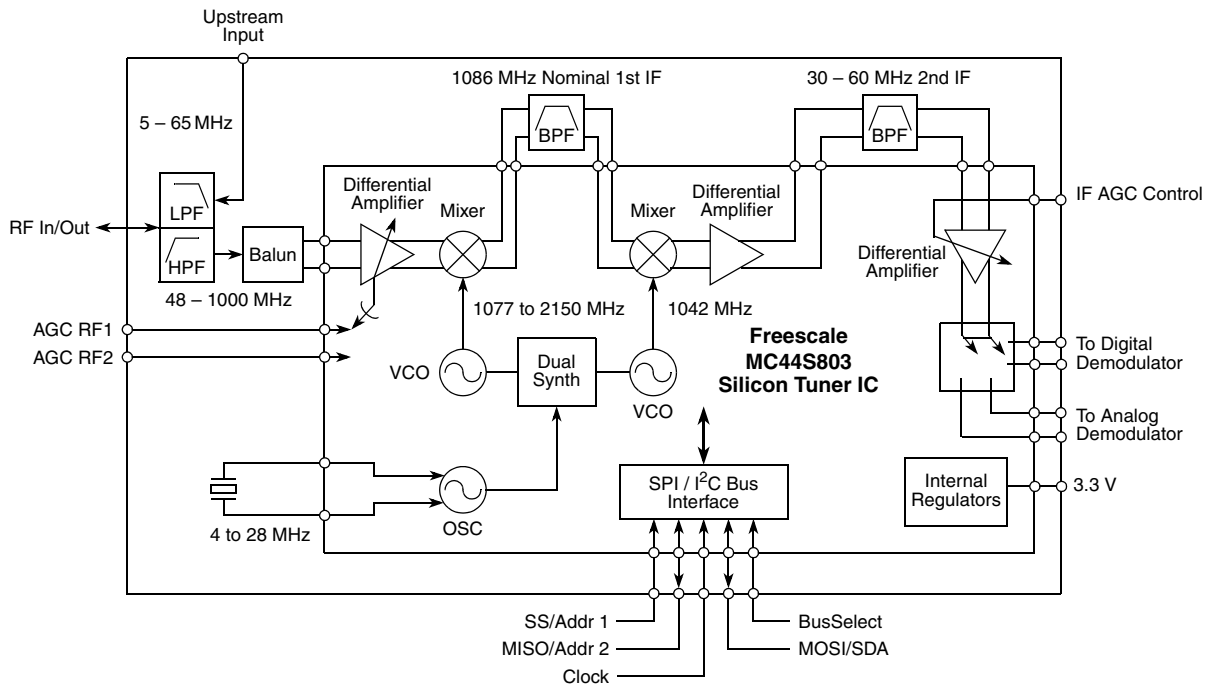


Figure 30. MC44S803 Silicon Tuner Sample System Design Block Diagram

SECOND IF

The Second IF consists of the on chip amplifiers that boost the signal level so that it is high enough for the tuner to be directly connected to the demodulator. The output of Post Amp 2 is routed off chip through the channel SAW and back on chip to the second IF amplifiers. A switch is provided to route the signal to either a digital or an analog demodulator for settop box applications. The performance at the analog and digital IF output ports are identical. The IF Amplifier gain has some level of programmability. This is not intended for

Automatic Gain Control (AGC), but as a way to optimize the gain distribution. It is envisioned that this gain would be fixed at a certain level for the particular application. Since typical analog demodulators have a high range of AGC control built into them, the IF AGC control voltage will need to be fixed at some level when using these demodulators. When using a digital demodulator, the AGC control voltage is fed from the digital demodulator. This is usually a filtered PWM signal.

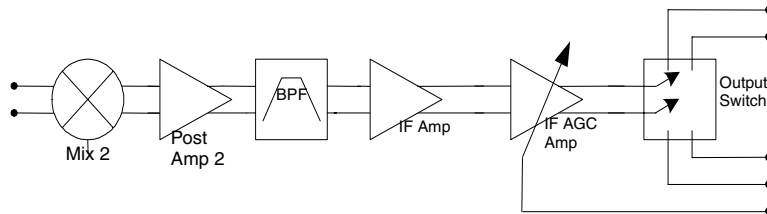


Figure 31. Second IF

Table 38. Second IF Amplifier Performance

Parameter	Typ.	Unit
Post Amplifier 2 Gain Settings	6.0 or 8.3	dB
IF Amplifier Gain Settings	6.0, 12, 18, or 20	dB
IF AGC Amplifier Gain at 0.5 V AGC	36	dB
IF AGC Amplifier Gain at 3.3 V AGC	0	dB

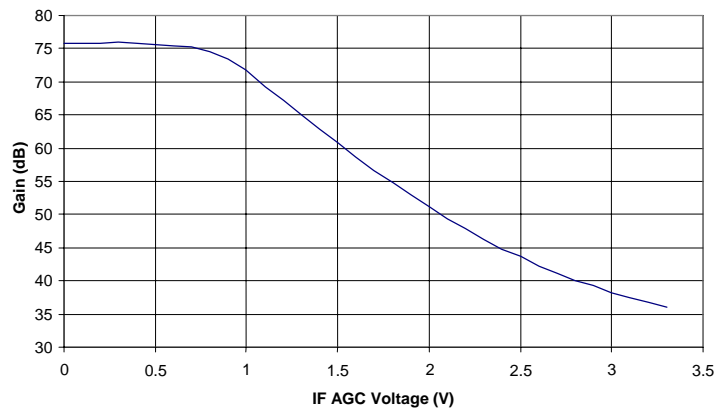


Figure 32. Tuner Gain versus IF AGC Voltage

REFERENCE OSCILLATOR

The integrated reference oscillator requires an external crystal. The oscillator circuit is designed to accept a crystal in the frequency range of 4.0 MHz to 28 MHz.

The oscillator drives the reference dividers for LO1 and LO2. Additionally, it goes through a Divide-By-R3 stage. Possible divider ratios are 1, 2, 4, 6, 8, or 10. For divide by 1, the signal is routed around the divider. The signal passes through a low pass filter to produce a sine wave. It is then buffered internally and output at pins BufIOP and BufIOM so that it can be used to drive other ICs such as an audio-video modulator in a settop box. If no other ICs are driven from this oscillator, nothing should be connected to BufIOP and BufIOM. The IC can be programmed to shut down the oscillator buffer if it is not used. It is enabled at power up and on reset.

In dual tuner applications, one crystal can drive two tuners, as shown in the following figures. This saves cost and

eliminates spur problems due to having multiple frequencies that are very close to each other but not exactly the same. In this case, the second tuner is connected up to the same crystal but fed into the Buffer In/Out pins. Internal switches of the second tuner are programmed to feed this signal to the Crystal Buffer. The internal switches of the first tuner are programmed to feed the output of the Sine Wave Buffer to a modulator or other IC. The other switches shown are to allow for a divide by 1 state.

Table 39. Switch States

	BufI/O bit	SW1	SW2	SW3
Reset State	0	Closed	Closed	Open
Tuner #1	0	Closed	Closed	Open
Tuner #2	7	Open	Open	Closed

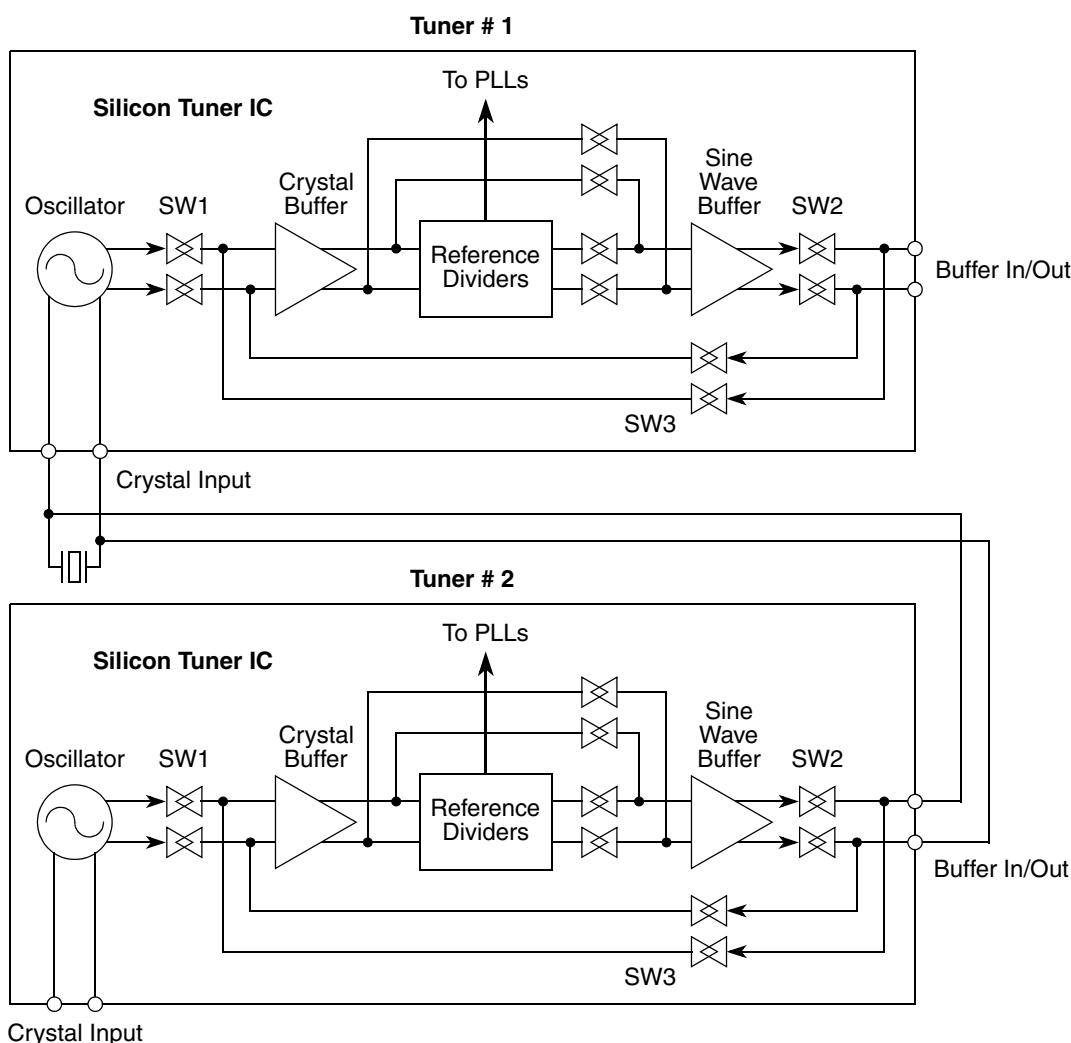


Figure 33. Two Receivers Sharing One Crystal

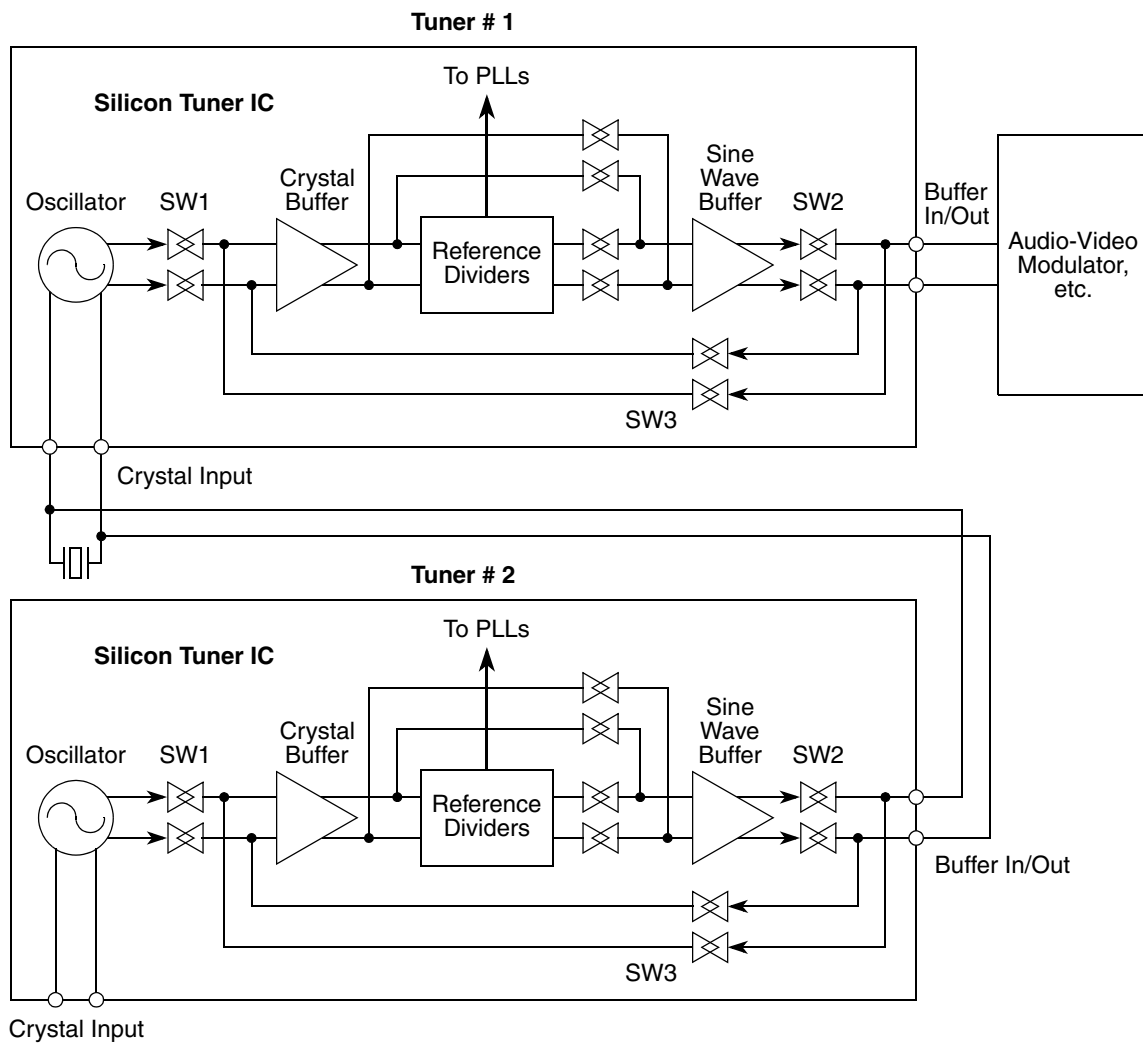


Figure 34. Two Receivers and Modulator Sharing One Crystal

The CMOS Broadband Tuner IC is designed to work with a crystal meeting the crystal specifications shown in Table 40. Of course the frequency tolerance will be application specific. Look at the specification for the demodulator that you intend to use with the tuner for frequency tolerance that it needs to capture signal. Internal load capacitance is 10 pF, typical PC board stray capacitance is 3.0 or 4.0 pF.

Table 40. Crystal Specifications

Frequency	4.0 MHz to 28 MHz
Drive Level	500 μ W
Load Capacitance	13 pF
Resistance	10 Ohms typ, 100 Ohms max

TYPICAL APPLICATION CONFIGURATIONS

Figure 35 and Figure 36 are block diagrams that show how the Silicon Tuner is used in multiple applications.

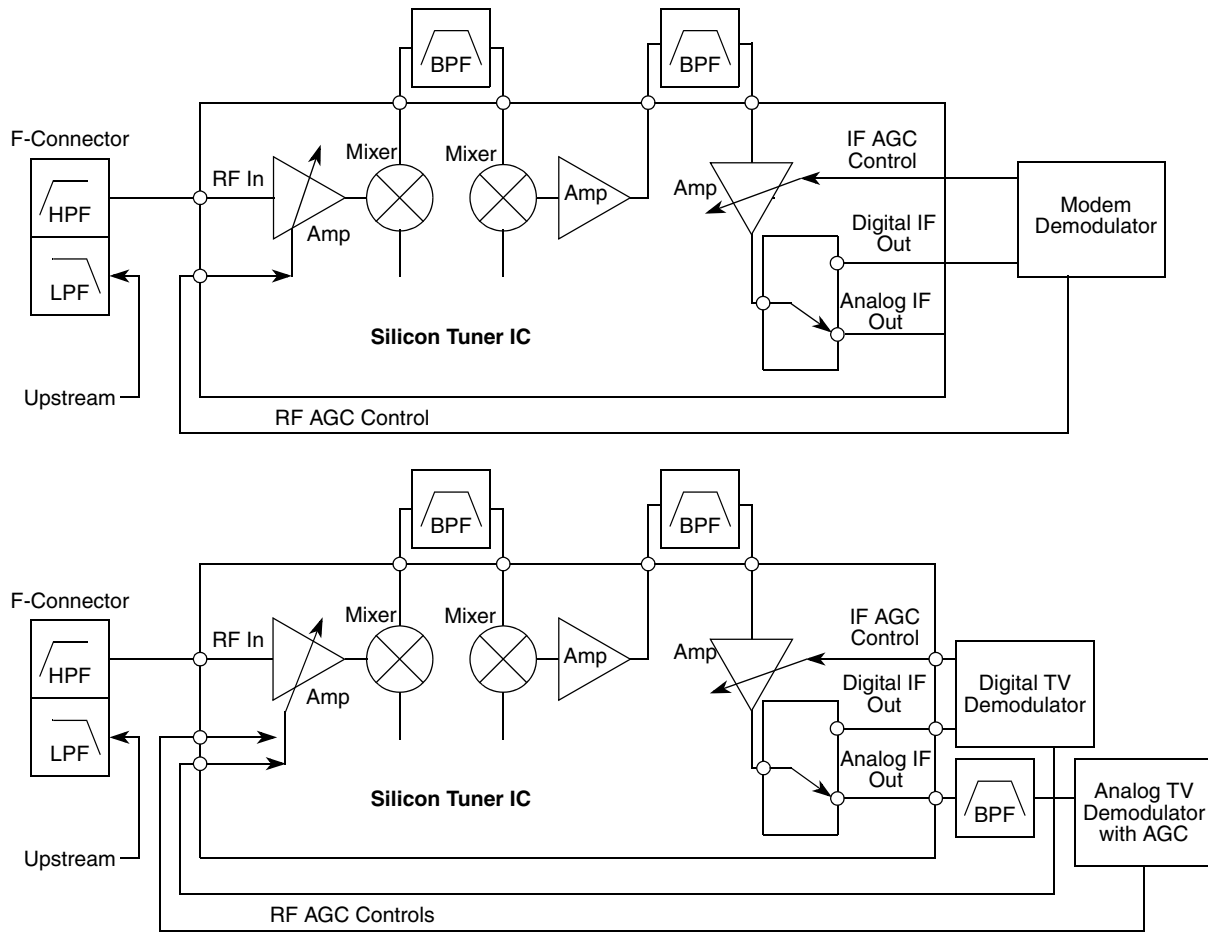


Figure 35. Modem and Digital/Analog Settop Box Using Silicon Tuner

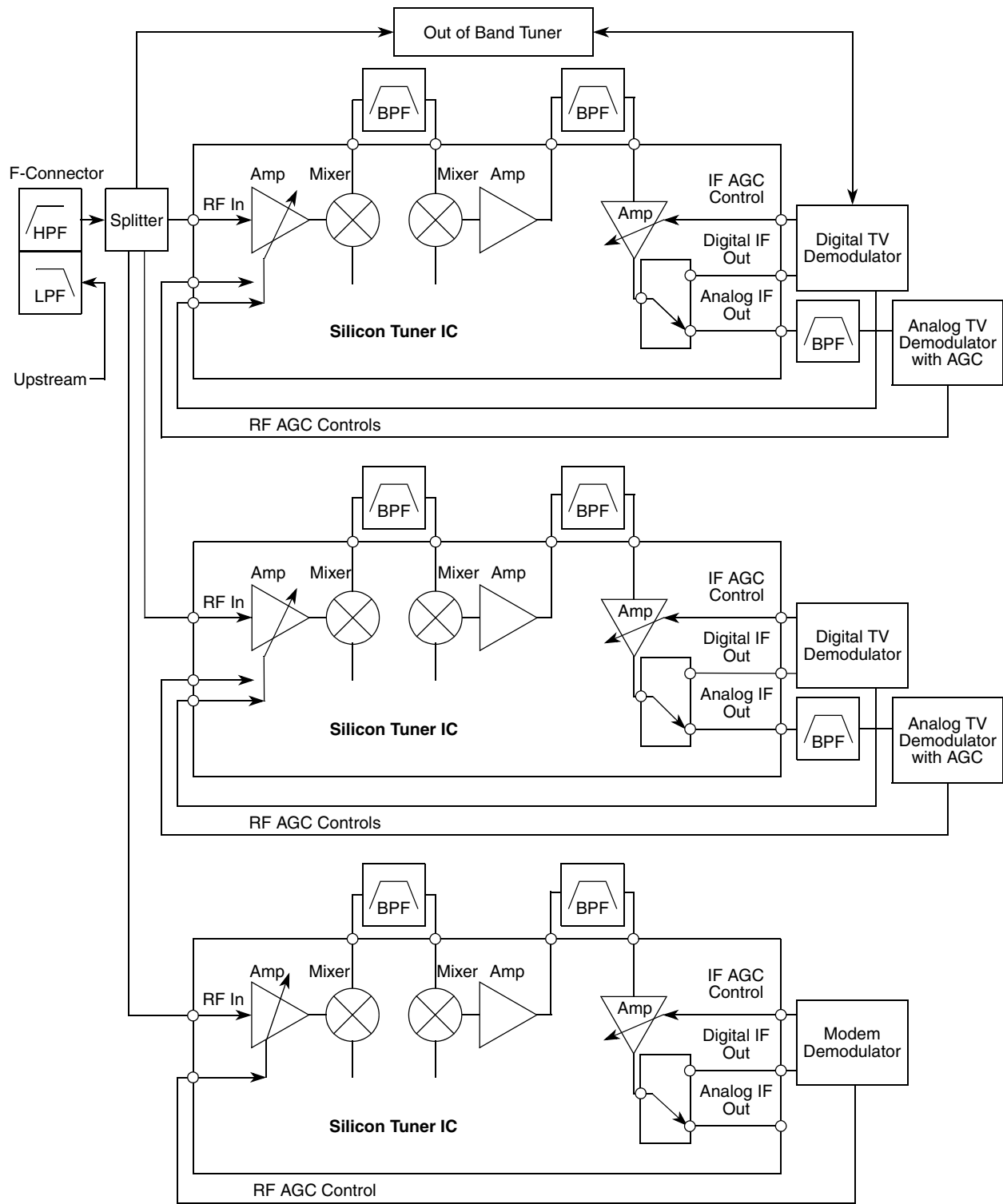
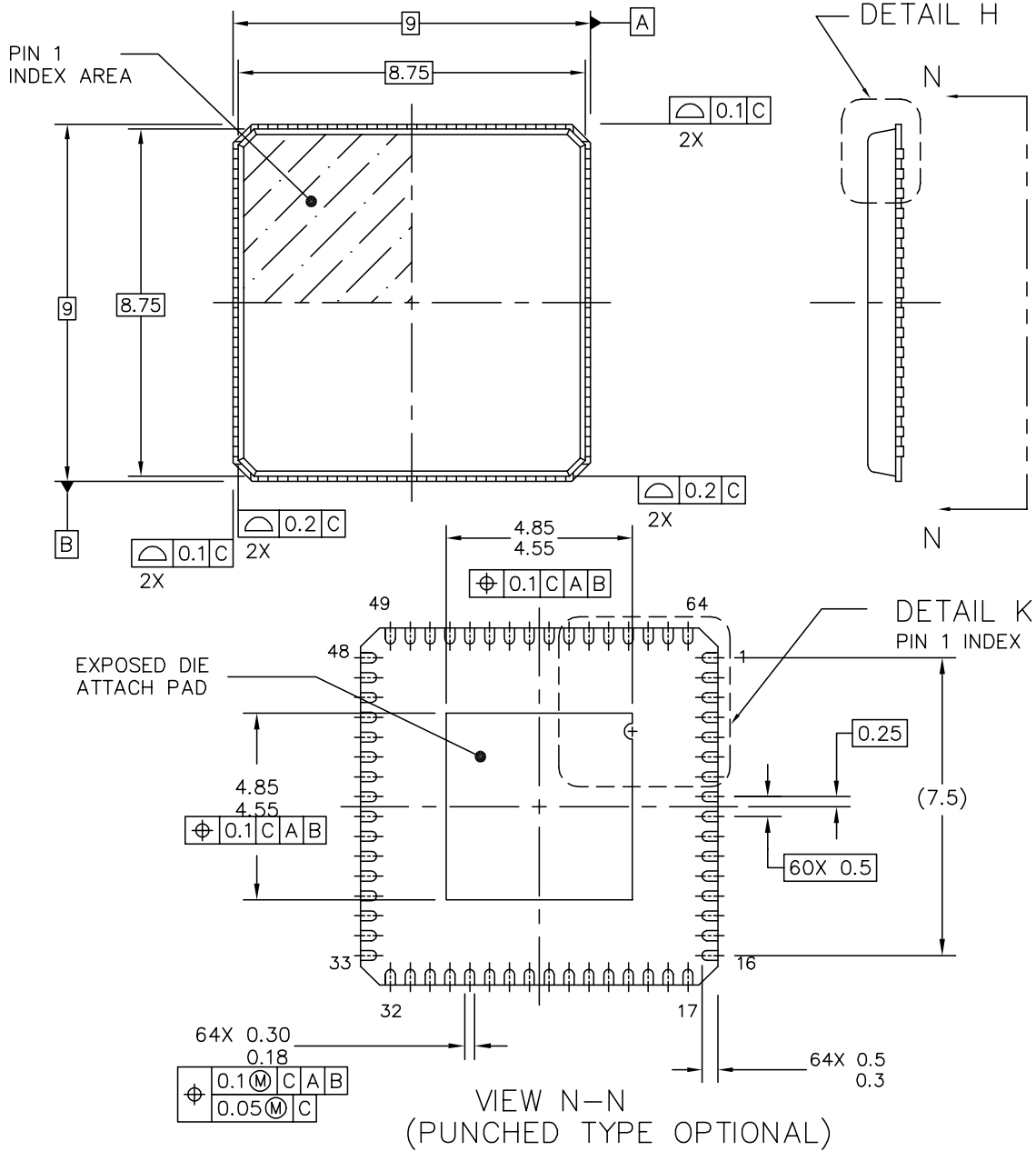


Figure 36. Settop Box or Media Gateway with Two Digital/Analog TV Tuners and Broadband Modem Tuner

PACKAGE DIMENSIONS

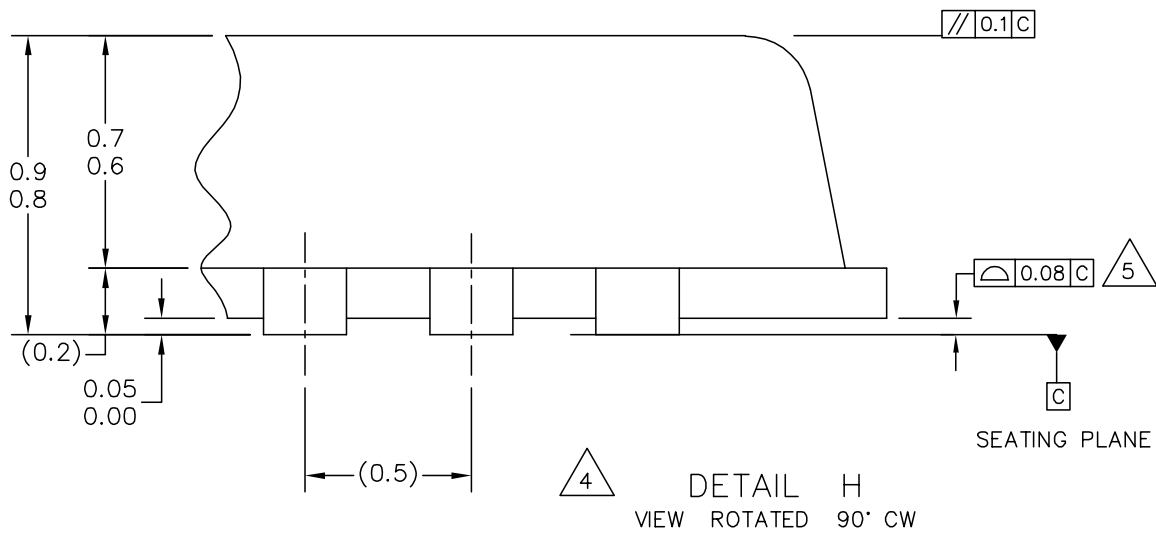
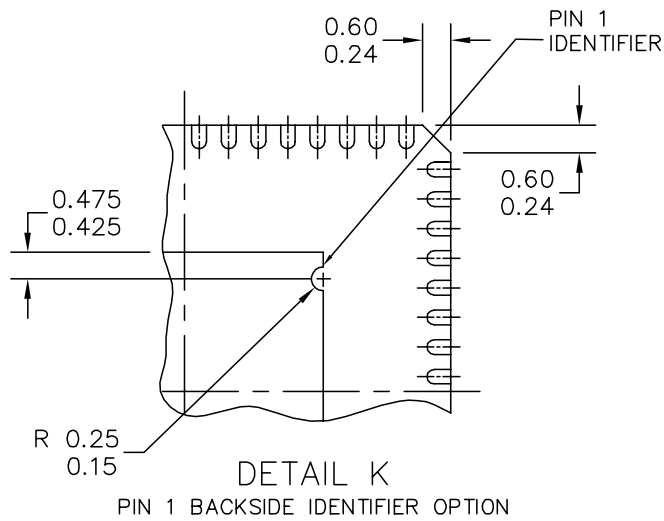
This IC package is in a Pb-free 64 pin Quad Leadless Package (QFN) with a grounding pad on the bottom of the package. The QFN is similar to a QFP except the leads wrap

around the edge of the package rather than the gull wing style used on the QFP. The grounding pad is intended to be soldered to the PCB during normal reflow operation.



© FREESCALE SEMICONDUCTOR, INC. ALL RIGHTS RESERVED.	MECHANICAL OUTLINE	PRINT VERSION NOT TO SCALE
TITLE: THERMALLY ENHANCED QUAD FLAT NON-LEADED PACKAGE (QFN) 64 TERMINAL, 0.5 PITCH (9 X 9 X 1)	DOCUMENT NO: 98ARS10519D	REV: 0
	CASE NUMBER: 1606-01	29 SEP 2005
	STANDARD: NON-JEDEC	

PACKAGE DIMENSIONS



© FREESCALE SEMICONDUCTOR, INC. ALL RIGHTS RESERVED.	MECHANICAL OUTLINE	PRINT VERSION NOT TO SCALE	
TITLE: THERMALLY ENHANCED QUAD FLAT NON-LEADED PACKAGE (QFN) 64 TERMINAL, 0.5 PITCH (9 X 9 X 1)	DOCUMENT NO: 98ARS10519D	REV: 0	
	CASE NUMBER: 1606-01	29 SEP 2005	
	STANDARD: NON-JEDEC		

PAGE 2 OF 3

CASE 1606-01
ISSUE 0
64-LEAD QFN PACKAGE

PACKAGE DIMENSIONS

NOTES:

1. ALL DIMENSIONS ARE IN MILLIMETERS.
2. INTERPRET DIMENSIONS AND TOLERANCES PER ASME Y14.5M-1994.
3. THE COMPLETE JEDEC DESIGNATOR FOR THIS PACKAGE IS: HP-VFQFP-N.
4. CORNER CHAMFER MAY NOT BE PRESENT. DIMENSIONS OF OPTIONAL FEATURES ARE FOR REFERENCE ONLY.
5. COPLANARITY APPLIES TO LEADS, CORNER LEADS AND DIE ATTACH PAD.
6. MINIMUM GAP BETWEEN METAL SHOULD BE 0.2 mm.

© FREESCALE SEMICONDUCTOR, INC. ALL RIGHTS RESERVED.	MECHANICAL OUTLINE	PRINT VERSION NOT TO SCALE	
TITLE: THERMALLY ENHANCED QUAD FLAT NON-LEADED PACKAGE (QFN) 64 TERMINAL, 0.5 PITCH (9 X 9 X 1)	DOCUMENT NO: 98ARS10519D	REV: 0	
	CASE NUMBER: 1606-01	29 SEP 2005	
	STANDARD: NON-JEDEC		

PAGE 3 OF 3

CASE 1606-01
ISSUE 0
64-LEAD QFN PACKAGE

MC44S803

How to Reach Us:

Home Page:

www.freescale.com

E-mail:

support@freescale.com

USA/Europe or Locations Not Listed:

Freescale Semiconductor
Technical Information Center, CH370
1300 N. Alma School Road
Chandler, Arizona 85224
+1-800-521-6274 or +1-480-768-2130
support@freescale.com

Europe, Middle East, and Africa:

Freescale Halbleiter Deutschland GmbH
Technical Information Center
Schatzbogen 7
81829 Muenchen, Germany
+44 1296 380 456 (English)
+46 8 52200080 (English)
+49 89 92103 559 (German)
+33 1 69 35 48 48 (French)
support@freescale.com

Japan:

Freescale Semiconductor Japan Ltd.
Headquarters
ARCO Tower 15F
1-8-1, Shimo-Meguro, Meguro-ku,
Tokyo 153-0064
Japan
0120 191014 or +81 3 5437 9125
support.japan@freescale.com

Asia/Pacific:

Freescale Semiconductor China Ltd.
Exchange Building 23F
No. 118 Jianguo Road
Chaoyang District
Beijing 100022
China
+86 10 5879 8000
support.asia@freescale.com

For Literature Requests Only:

Freescale Semiconductor Literature Distribution Center
P.O. Box 5405
Denver, Colorado 80217
1-800-441-2447 or 303-675-2140
Fax: 303-675-2150

Information in this document is provided solely to enable system and software implementers to use Freescale Semiconductor products. There are no express or implied copyright licenses granted hereunder to design or fabricate any integrated circuits or integrated circuits based on the information in this document.

Freescale Semiconductor reserves the right to make changes without further notice to any products herein. Freescale Semiconductor makes no warranty, representation or guarantee regarding the suitability of its products for any particular purpose, nor does Freescale Semiconductor assume any liability arising out of the application or use of any product or circuit, and specifically disclaims any and all liability, including without limitation consequential or incidental damages. "Typical" parameters that may be provided in Freescale Semiconductor data sheets and/or specifications can and do vary in different applications and actual performance may vary over time. All operating parameters, including "Typicals", must be validated for each customer application by customer's technical experts. Freescale Semiconductor does not convey any license under its patent rights nor the rights of others. Freescale Semiconductor products are not designed, intended, or authorized for use as components in systems intended for surgical implant into the body, or other applications intended to support or sustain life, or for any other application in which the failure of the Freescale Semiconductor product could create a situation where personal injury or death may occur. Should Buyer purchase or use Freescale Semiconductor products for any such unintended or unauthorized application, Buyer shall indemnify and hold Freescale Semiconductor and its officers, employees, subsidiaries, affiliates, and distributors harmless against all claims, costs, damages, and expenses, and reasonable attorney fees arising out of, directly or indirectly, any claim of personal injury or death associated with such unintended or unauthorized use, even if such claim alleges that Freescale Semiconductor was negligent regarding the design or manufacture of the part.

Freescale™ and the Freescale logo are trademarks of Freescale Semiconductor, Inc. All other product or service names are the property of their respective owners.

© Freescale Semiconductor, Inc. 2008. All rights reserved.

RoHS-compliant and/or Pb-free versions of Freescale products have the functionality and electrical characteristics of their non-RoHS-compliant and/or non-Pb-free counterparts. For further information, see <http://www.freescale.com> or contact your Freescale sales representative.

For information on Freescale's Environmental Products program, go to <http://www.freescale.com/epp>.