



P-Channel Enhancement Mode Field Effect Transistor

PRODUCT SUMMARY		
V _{DS}	I _D	R _{DS(ON)} (mΩ) Max
-60V	-2.5A	180 @ V _{GS} =-10V
		240 @ V _{GS} =-4.5V

FEATURES

- Super high dense cell design for low R_{DS(ON)}.
- Rugged and reliable.
- SOT-223 package.



ABSOLUTE MAXIMUM RATINGS (T_A=25°C unless otherwise noted)

Symbol	Parameter	Limit	Units
V _{DS}	Drain-Source Voltage	-60	V
V _{GS}	Gate-Source Voltage	±20	V
I _D	Drain Current-Continuous ^a	T _A =25°C	-2.5
		T _A =70°C	-2.0
I _{DM}	-Pulsed ^b	-20	A
P _D	Maximum Power Dissipation ^a	T _A =25°C	2.08
		T _A =70°C	1.33
T _J , T _{STG}	Operating Junction and Storage Temperature Range	-55 to 150	°C

THERMAL CHARACTERISTICS

R _{θJA}	Thermal Resistance, Junction-to-Ambient ^a	60	°C/W
------------------	--	----	------

STT6603

Ver 1.0

ELECTRICAL CHARACTERISTICS (TA=25°C unless otherwise noted)

Symbol	Parameter	Conditions	Min	Typ	Max	Units
OFF CHARACTERISTICS						
BV _{DSS}	Drain-Source Breakdown Voltage	V _{GS} =0V , I _D =-250uA	-60			V
I _{DSS}	Zero Gate Voltage Drain Current	V _{DS} =-48V , V _{GS} =0V			-1	uA
I _{GSS}	Gate-Body Leakage Current	V _{GS} = ±20V , V _{DS} =0V			±100	nA
ON CHARACTERISTICS						
V _{GS(th)}	Gate Threshold Voltage	V _{DS} =V _{GS} , I _D =-250uA	-1.0	-2.0	-3	V
R _{DS(ON)}	Drain-Source On-State Resistance	V _{GS} =-10V , I _D =-2.5A		90	180	m ohm
		V _{GS} =-4.5V , I _D =-2.2A		120	240	m ohm
g _{FS}	Forward Transconductance	V _{DS} =-10V , I _D =-2.5A		6.4		S
DYNAMIC CHARACTERISTICS ^c						
C _{ISS}	Input Capacitance	V _{DS} =-30V, V _{GS} =0V f=1.0MHz		780		pF
C _{OSS}	Output Capacitance			65		pF
C _{RSS}	Reverse Transfer Capacitance			40		pF
SWITCHING CHARACTERISTICS ^c						
t _{D(ON)}	Turn-On Delay Time	V _{DD} =-30V I _D =-1A V _{GS} =-10V R _{GEN} =6 ohm		12.5		ns
t _r	Rise Time			13		ns
t _{D(OFF)}	Turn-Off Delay Time			59.5		ns
t _f	Fall Time			12		ns
Q _g	Total Gate Charge	V _{DS} =-30V, I _D =-2.5A, V _{GS} =-10V		13.5		nC
		V _{DS} =-30V, I _D =-2.5A, V _{GS} =-4.5V		6.8		nC
Q _{gs}	Gate-Source Charge	V _{DS} =-30V, I _D =-2.5A, V _{GS} =-10V		1.8		nC
Q _{gd}	Gate-Drain Charge			2.6		nC
DRAIN-SOURCE DIODE CHARACTERISTICS AND MAXIMUM RATINGS						
I _S	Maximum Continuous Drain-Source Diode Forward Current				-2.0	A
V _{SD}	Diode Forward Voltage ^b	V _{GS} =0V, I _S =-2A		-0.8	-1.2	V

Notes

- a. Surface Mounted on FR4 Board, t ≤ 10sec.
- b. Pulse Test: Pulse Width ≤ 300us, Duty Cycle ≤ 2%.
- c. Guaranteed by design, not subject to production testing.

Nov, 17, 2008

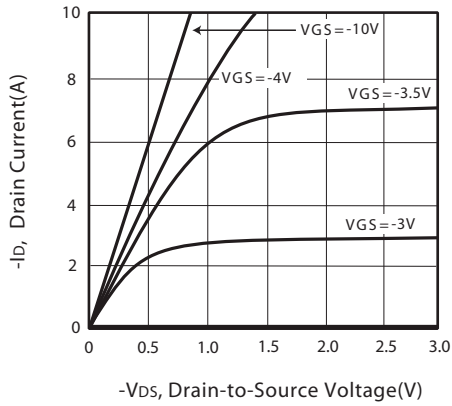


Figure 1. Output Characteristics

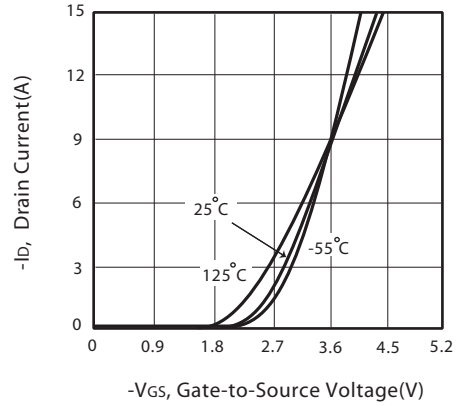


Figure 2. Transfer Characteristics

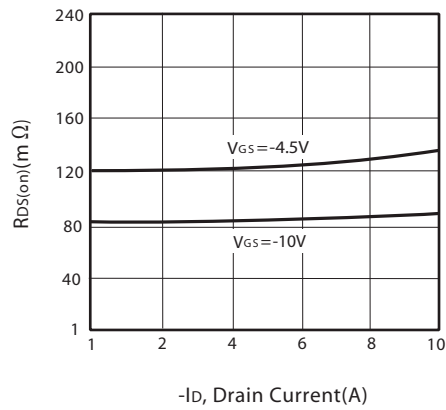


Figure 3. On-Resistance vs. Drain Current and Gate Voltage

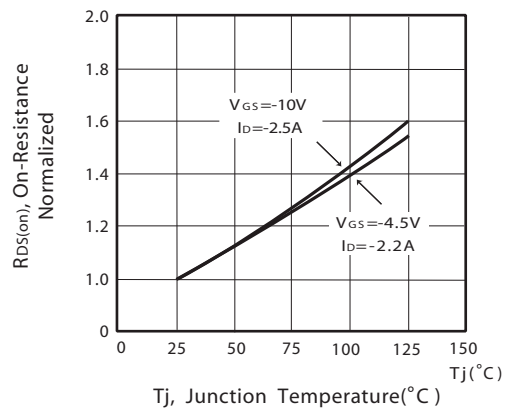


Figure 4. On-Resistance Variation with Drain Current and Temperature

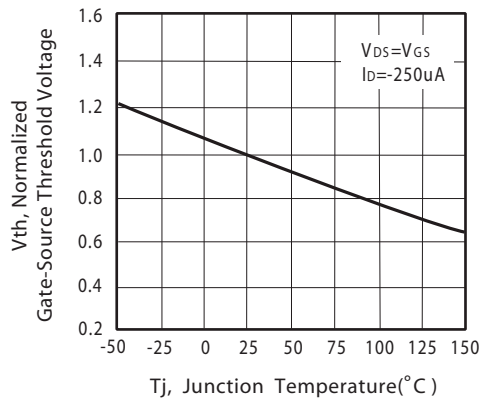


Figure 5. Gate Threshold Variation with Temperature

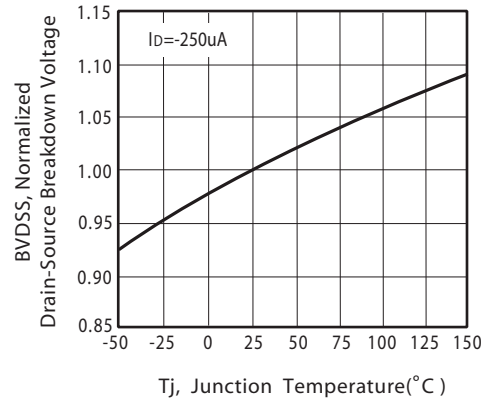


Figure 6. Breakdown Voltage Variation with Temperature

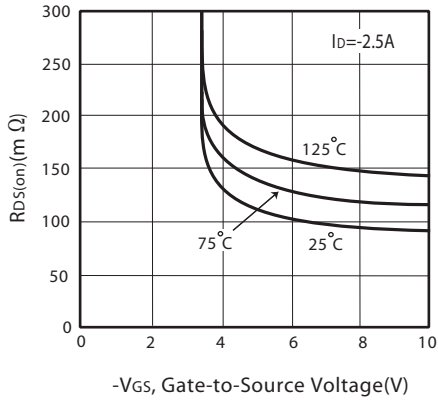


Figure 7. On-Resistance vs. Gate-Source Voltage

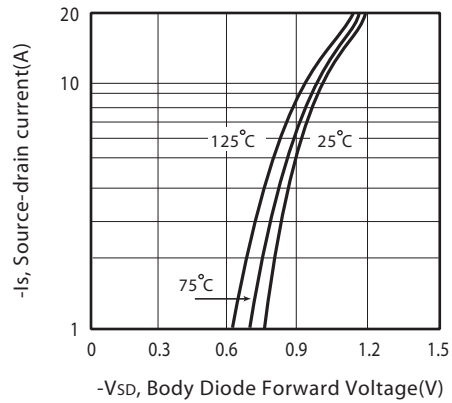


Figure 8. Body Diode Forward Voltage Variation with Source Current

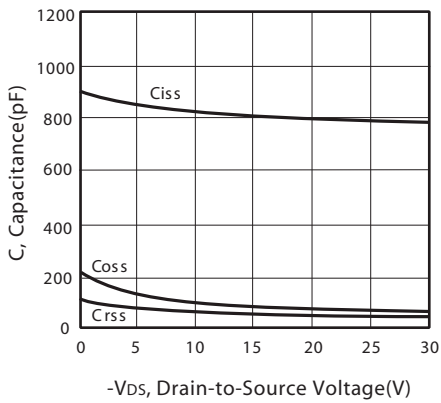


Figure 9. Capacitance

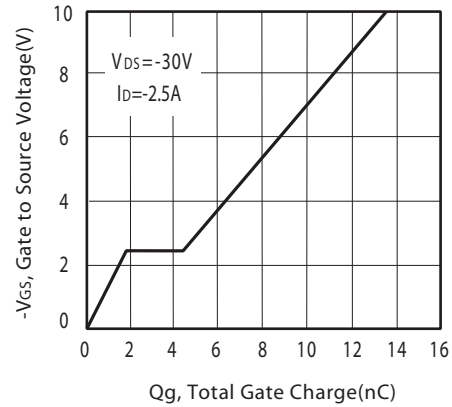


Figure 10. Gate Charge

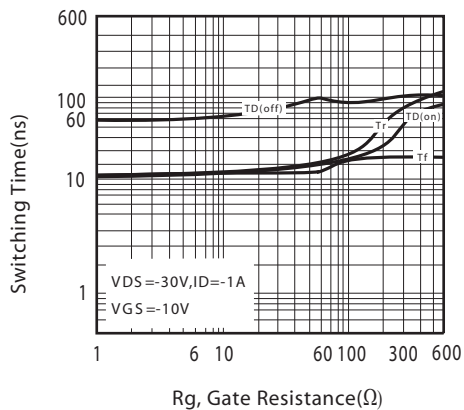


Figure 11. switching characteristics

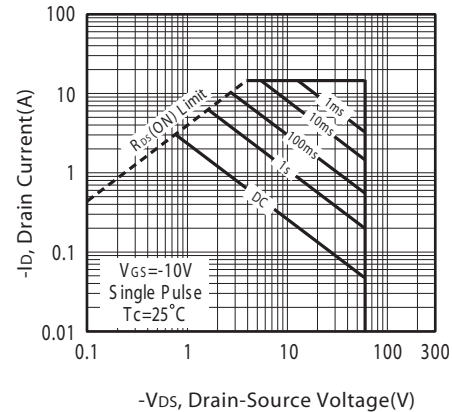


Figure 12. Maximum Safe Operating Area

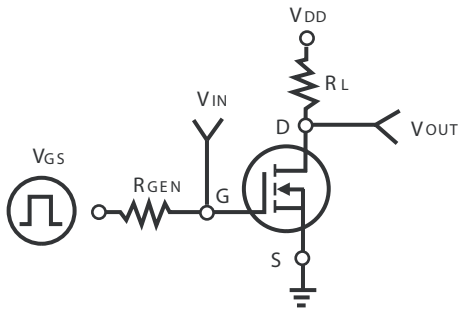


Figure 13. Switching Test Circuit

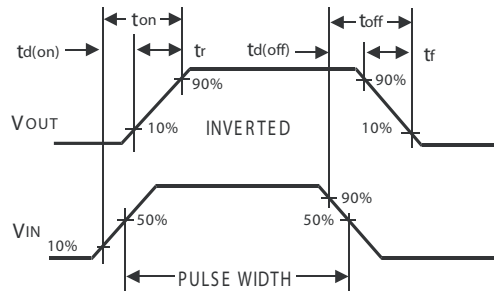


Figure 14. Switching Waveforms

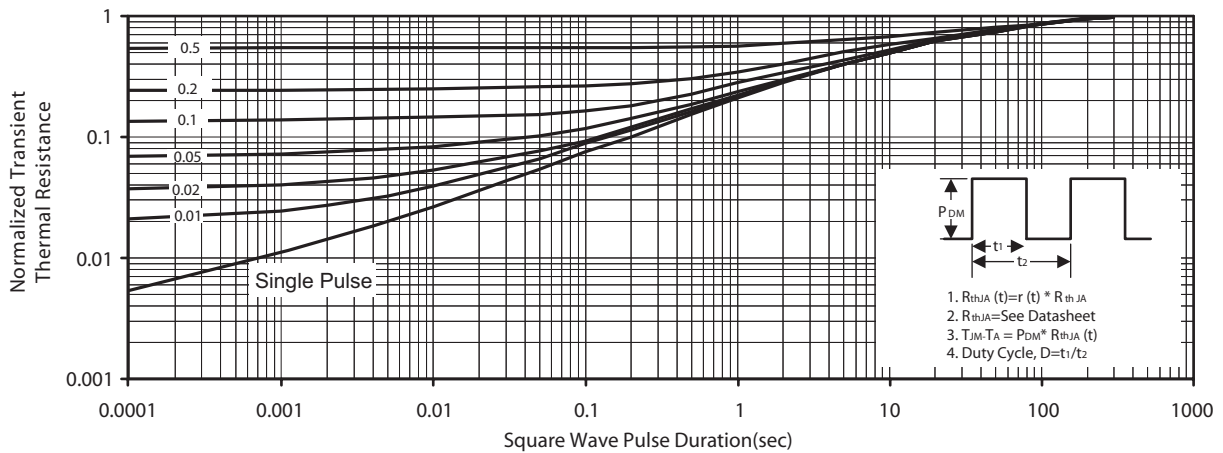
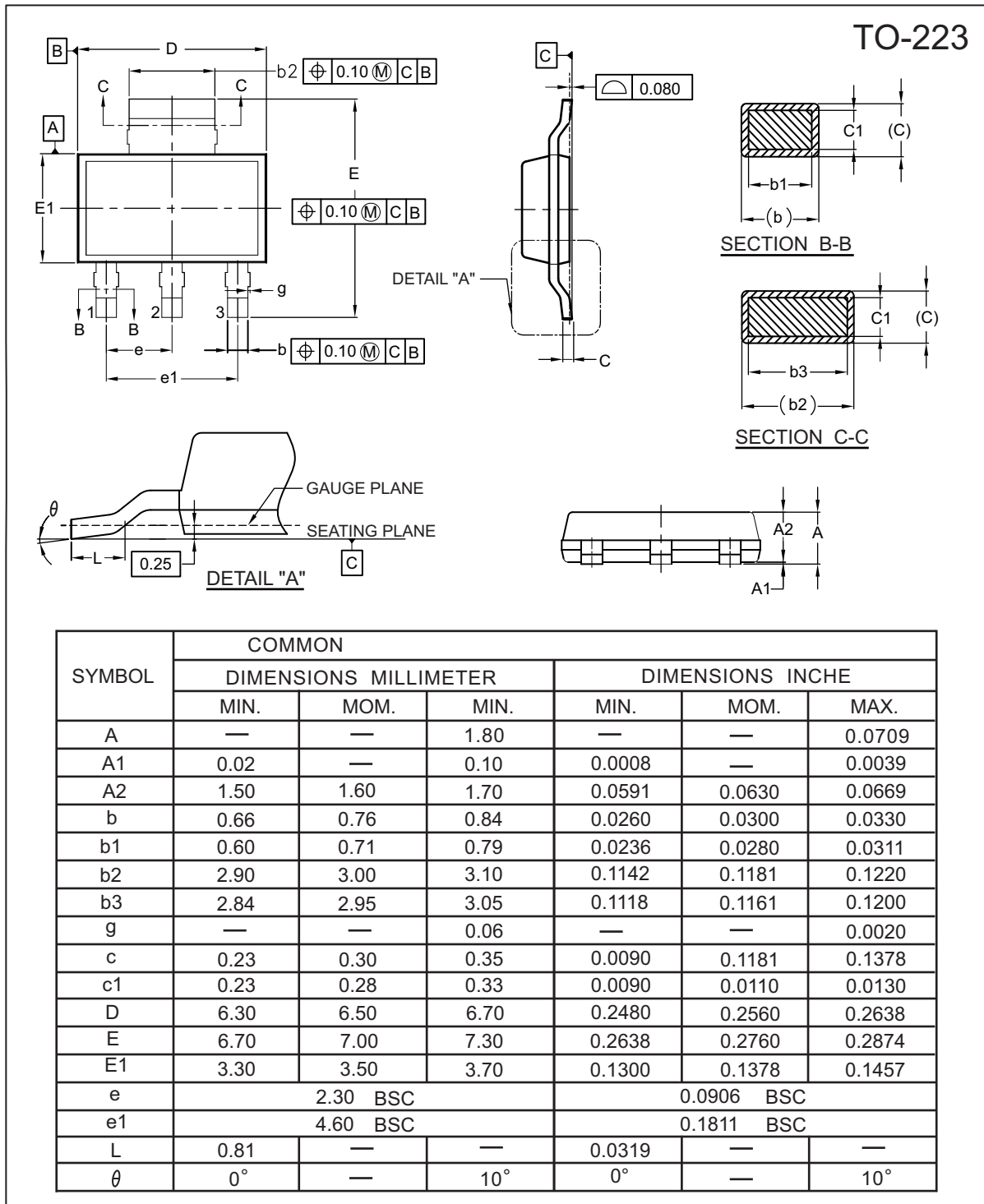
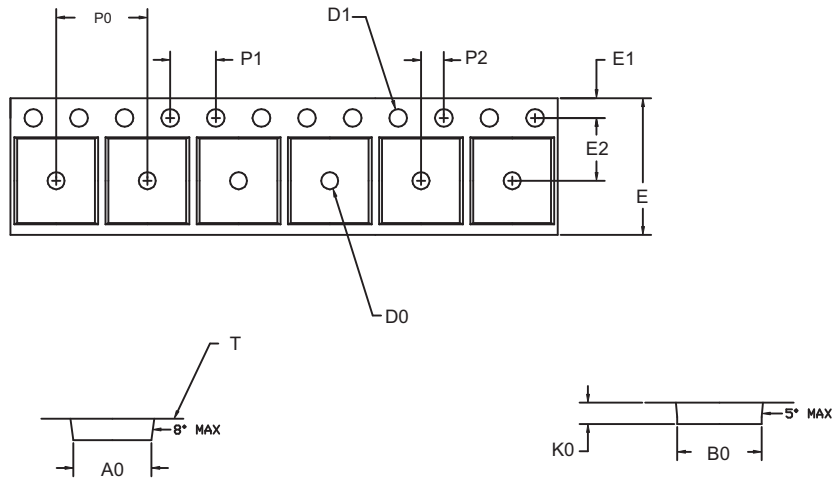


Figure 13. Normalized Thermal Transient Impedance Curve



SOT-223 Tape and Reel Data

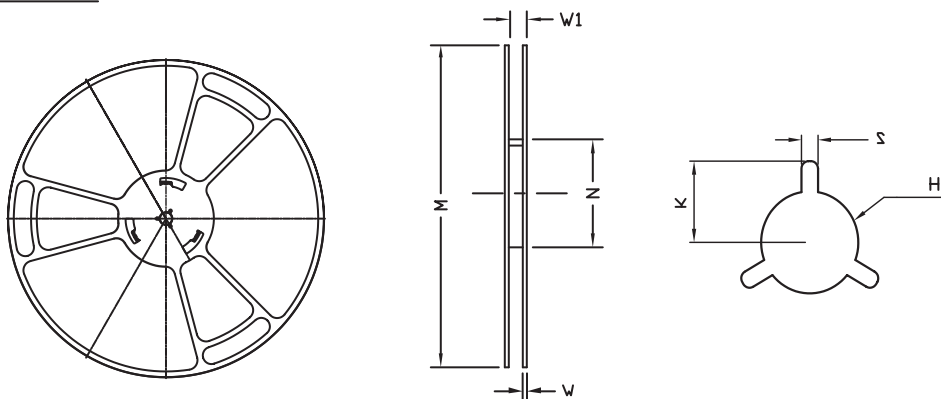
STO-223 Carrier Tape



unit:mm

PACKAGE	A0	B0	K0	D0	D1	E	E1	E2	P0	P1	P2	T
---	6.83 ±0.1	7.42 ±0.1	1.88 ±0.1	1.50 + 0.25	1.60 + 0.1	12.0 + 0.3 - 0.1	1.75 ±0.1	5.50 ±0.5	8.0 ±0.1	4.00 ±0.1	2.00 ±0.05	0.292 ±0.02

STO-223 Reel



UNIT:mm

REEL SIZE	M	N	W	W1	H	K	S	G	R	V
φ 330 ± 0.5	---	φ 97.0 ± 1.0	2.2	13.0 + 1.5	φ 13.0 + 0.5 - 0.2	10.6	2.0 ±0.5	---	---	---