

TF ATO® Style Blade Fuse Rated 90V

RoHS

Blade Fuses



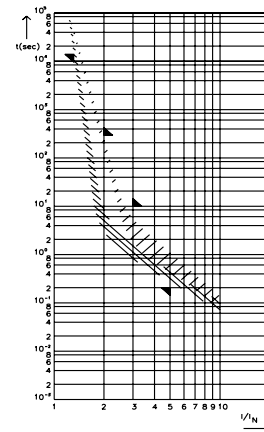
The TF is an ATO style blade fuse rated at 90V, featuring a three part construction with copper contacts for excellent reliability in harsh environment conditions and low voltage drop. Current ratings 4A thru 15A. With see-through cover for easy detection of blown fuses.

TF ist eine ATO-Flachstecksicherung mit 90V Nennspannung. Merkmale sind dreiteiliger Aufbau mit Kupferkontakten, niedriger Spannungsabfall und hohe Zuverlässigkeit unter rauen Umgebungsbedingungen. Nennstrom 4A bis 15A, transparente Abdeckung zur leichten Erkennung durchgebrannter Sicherungen.

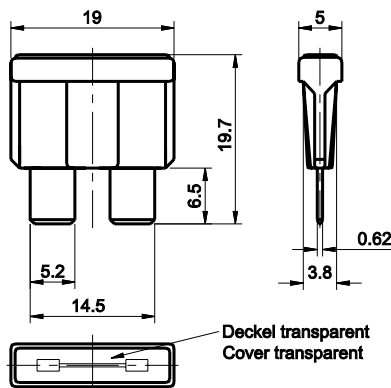
Specifications

- Insulating body:** Out of thermoplastic (UL 94-V0, heat-resistant)
- Cover:** Out of thermoplastic V0 (heat-resistant)
Visible melting element
- Connections:** Blade contacts
Copper alloy, gal. Sn
Edge-protected
- Test cable:** 4 mm²
- Packaging unit:** 2,000 pieces

Pre-arcing Time - limits / Schmelzeit-Grenzwerte DIN



Dimensions in mm / Maße in mm



Time-Current Characteristics / Schmelzeit-Grenzwerte

| % of Rating % des Nennstromes | Opening Time Min / Max (s) Schmelzcharakteristik Min / Max (s) |
|----------------------------------|---|
| 110 | 4 h / - |
| 200 | 4 h / - - / 300 s |
| 300 | - / 10 s |
| 500 | - / 10 s |
| | 200 ms / - |
| | 200 ms / - |

| Part Number Artikel-Nr. | Current Rating Nennstrom | Housing Color Kennfarbe | Typ. Voltage Drop Typ. Spannungsfall | Cold Resistance Kaltwiderstand | I ² t |
|----------------------------|-----------------------------|----------------------------|---|-----------------------------------|--------------------------|
| 162.7049.4402 | 4 A | | 115 mV | 19.4 Ω | > 100 A ² s |
| 162.7049.4802 | 8 A | | 80 mV | 7.50 Ω | > 300 A ² s |
| 162.7049.5102 | 10 A | | 70 mV | 6.10 Ω | > 580 A ² s |
| 162.7049.5152 | 15 A | | 65 mV | 3.50 Ω | > 1,700 A ² s |

Remark: TF-fuse links are back-up fuse links, see minimum fault current.
Corresponding holder see Section "Fuse Holders."