

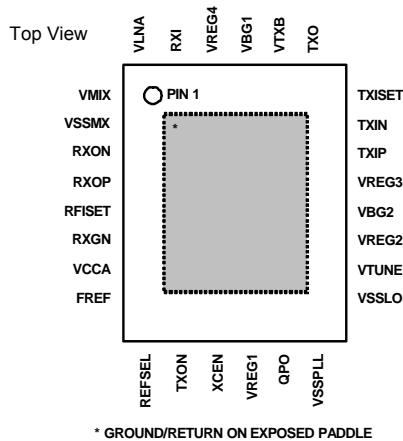
## GENERAL DESCRIPTION

The ML5825 is a high integration 2.4GHz - 5.8GHz frequency translator (transverter). It upconverts 2.4GHz signals to 5.8GHz and downconverts received 5.8GHz signals to 2.4GHz. Transmit and receive utilize the same low noise fixed local oscillator (LO). It is intended to be used in conjunction with a 2.4GHz transceiver-based solution to quickly and easily develop a 5.8GHz solution while fully leveraging previous development.

The ML5825 receive chain contains a Low Noise Amplifier (LNA), bandpass filter and image reject down conversion mixer. A digitally controlled 18dB gain step in the receive chain provides an innovative solution for optimizing IIP3 (low gain mode) and Noise Figure (high gain mode). On the transmit side, the ML5825 buffers and upconverts a differential 2.4GHz signal to 5.8GHz, where it is filtered and amplified.

The ML5825's PLL accepts two industry-standard input clock frequencies. The ML5825's low STANDBY MODE current maximizes battery life. Power supply regulation is included in the ML5825, providing circuit isolation and consistent performance over supply voltages between 2.8V-3.6V.

## PIN CONFIGURATION



## ORDERING INFORMATION

PART NUMBER	TEMP RANGE	PACKAGE	PACK (QTY)
ML5825DM	-10°C to +60°C	28QFN 4x5x0.9 mm	Antistatic Tray (490)
ML5825DM-T	-10°C to +60°C	28QFN 4x5x0.9 mm	Tape & Reel (2500)

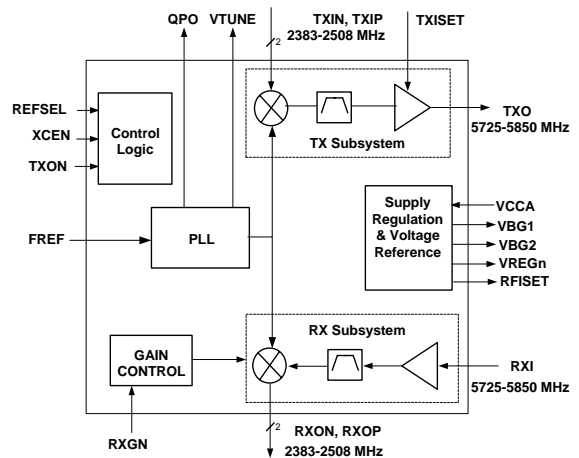
## FEATURES

- High Integration 2.4GHz to 5.8GHz Transverter
  - Receive LNA, Image Reject Filter & Mixer
  - Transmit Pre-Driver, Filters & Mixers
  - Fully Integrated PLL-Based Synthesizer
- Selectable Receive Gain Optimizes NF and IIP3
- Interfaces Directly with Many 2.4GHz Transceivers
- 4dB (typ. High Gain Mode) Noise Figure
- -14dBm Input IP3 (Low Gain Mode)
- Selectable Transmit Output Power
- 10µA Standby Mode
- Space-saving 28 pin QFN package

## APPLICATIONS

- 5.8GHz Digital Cordless Telephones
- 5.8GHz Streaming Audio & Video
- Upconverted 2.4GHz Standards
  - Bluetooth
  - Zigbee/802.15.4

## BLOCK DIAGRAM



**TABLE OF CONTENTS**

GENERAL DESCRIPTION ..... 1

PIN CONFIGURATION ..... 1

ORDERING INFORMATION ..... 1

FEATURES ..... 1

APPLICATIONS ..... 1

BLOCK DIAGRAM ..... 1

TABLE OF CONTENTS ..... 2

SIMPLIFIED APPLICATIONS DIAGRAM ..... 2

ELECTRICAL CHARACTERISTICS ..... 3

PIN DESCRIPTIONS ..... 5

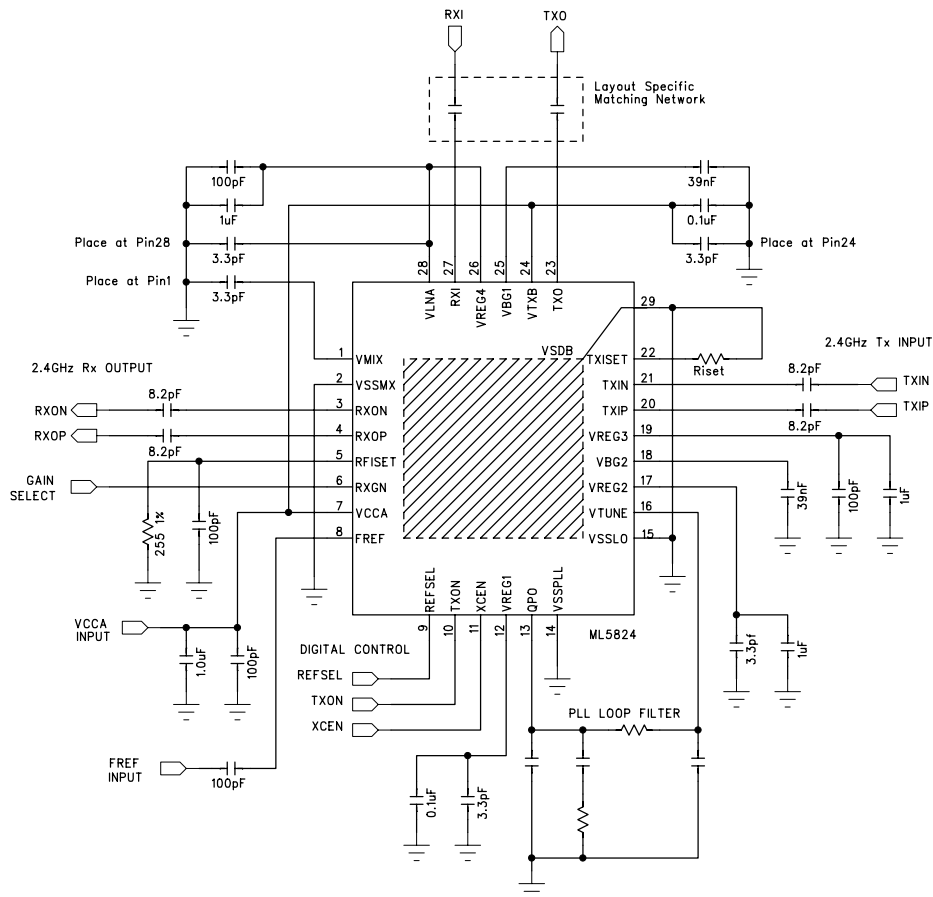
FUNCTIONAL DESCRIPTION ..... 9

MODES OF OPERATION ..... 9

PHYSICAL DIMENSIONS ..... 11

WARRANTY ..... 12

**SIMPLIFIED APPLICATIONS DIAGRAM**



**Figure 1: ML5825 Typical Application Schematic**

## ELECTRICAL CHARACTERISTICS

### ABSOLUTE MAXIMUM RATINGS

Absolute maximum ratings are those values beyond which the device could be permanently damaged. Absolute maximum ratings are stress ratings only and functional device operation is not implied. Operating the device for any length of time beyond the operating conditions may degrade device performance and/or shorten operating lifetime.

VCCA.....	3.6 V
Maximum Receive RF Input Power.....	+13dBm
Maximum Transmit RF Input Power.....	+3dBm
Junction Temperature.....	150°C
Storage Temperature Range.....	-65°C to 150°C
Lead Temperature (Soldering, 10s).....	260°C
Thermal Resistance ( $\theta_{JA}$ ).....	39°C/W

### OPERATING CONDITIONS

Ambient Temperature Range .....	-10°C to 60°C
VCCA Range .....	2.8V to 3.6V

Unless otherwise specified,  $V_{CCA}=3.2V$ ,  $T_A=-10^\circ C$  to  $+60^\circ C$ ,  $X_{CEN}=V_{IH}$ ,  $P_{INRX}=-40dBm$ ,  $P_{INTX}=-3dBm$ , PLL Loop Filter Bandwidth=40 KHz, and gain control in either state.

SYMBOL	PARAMETER	CONDITIONS	MIN	TYP	MAX	UNITS
<b>POWER SUPPLIES</b>						
VCCA	Analog supply voltage		2.8	3.2	3.6	V
I <sub>STBY</sub>	Supply current, STANDBY mode	VCCA=3.6V, XCEN=V <sub>IL</sub> , TXON= V <sub>IL</sub> OR V <sub>IH</sub>			10	μA
I <sub>RX</sub>	Supply current, RECEIVE mode	TXON= V <sub>IL</sub>		45	60	mA
I <sub>TX</sub>	Supply current, TRANSMIT mode	TXON= V <sub>IH</sub> R <sub>TXISET</sub> =7.5KΩ R <sub>TXISET</sub> =5.5KΩ		95 100	110 115	mA mA
<b>SUPPLY REGULATION</b>						
V <sub>R27</sub>	Regulated Output Voltage	Pins 12, 19, 26		2.7		V
V <sub>R25</sub>	Regulated Output Voltage	Pin 17		2.5		V
V <sub>BG</sub>	Bandgap Voltage	Pins 18 & 25		1.25		V
<b>SYNTHESIZER</b>						
f <sub>LO</sub>	Local Oscillator Frequency	F <sub>OUT</sub> = F <sub>IN</sub> +/- F <sub>LO</sub>	3342.336			MHz
I <sub>P</sub>	Charge Pump sink/source current This is a function of V <sub>TUNE</sub> to compensate for the change in K <sub>V</sub>	V <sub>TUNE</sub> =0.3V V <sub>TUNE</sub> =1.2V V <sub>TUNE</sub> =1.9V	0.49	0.90 0.60 0.38	0.71	mA mA mA
Φ <sub>N</sub>	Phase noise at driver output f <sub>c</sub> =10KHz offset from f <sub>c</sub> f <sub>c</sub> =1.2MHz offset from f <sub>c</sub>	400mVp-p sine wave reference		-65 -115	-110	dBc/Hz dBc/Hz
K <sub>V</sub>	VCO Tuning sensitivity		100	230	350	MHz/V
F <sub>PULL</sub>	Frequency pulling	70μs after P <sub>IN</sub> -50dBm to +12dBm		+/-20		KHz
F <sub>PTR</sub>	Frequency pulling TX to RX and RX to TX	70μs after transition		+/-20		KHz
F <sub>PUSH</sub>	Frequency pushing	Vary VCCA from 2.9V to 3.6V		<.5		MHz/V
t <sub>WAKE</sub>	Settling time from standby	XCEN=V <sub>IH</sub> , to within 10KHz			200	μs

SYMBOL	PARAMETER	CONDITIONS	MIN	TYP	MAX	UNITS
f <sub>FREF</sub>	Reference signal frequency	REFSEL=V <sub>IL</sub> REFSEL=V <sub>IH</sub>		18.432 24.576		MHz MHz
V <sub>FREF</sub>	Reference signal level	AC coupled	400		1200	mVp-p
<b>RECEIVER</b>						
F <sub>RXI</sub>	Receiver Input Frequency Range		5.725 - 5.850			GHz
F <sub>RXO</sub>	Receiver Output Frequency Range		2.382664 - 2.507664			GHz
Z <sub>RIN</sub>	Receiver Input Impedance	Over F <sub>RXI</sub>		37 + j2		Ω
Z <sub>RXO</sub>	Receiver Output Impedance	Differential Impedance RXON/RXOP Over F <sub>RXO</sub>		100		Ω
NF	Input noise figure	High Gain Mode Low Gain Mode		4.0 14	7.0 22	dB dB
G <sub>RX</sub>	RX Power Gain	High Gain Mode Low Gain Mode	8	13 - 8		dB dB
I <sub>IP3</sub>	Input IP3	High Gain Mode Low Gain Mode	-25			dBm dBm
		For Pin=-50dBm each tone spaced +/-1MHz from 5800MHz For Pin=-30dBm each tone spaced +/-1MHz from 5800MHz		-14		
P <sub>1dB</sub>	RX Input 1dB compression	High Gain Mode Low Gain Mode		-35 -25		dBm dBm
P <sub>RXI</sub>	RX conducted emissions from RF input port	RXI terminated in 50 ohm			-50	dBm
P <sub>SPUR</sub>	Out of Band Spurious, High Gain Mode Low Gain Mode	Spurs outside Receive Output Frequency Range		-25 -5		dBc dBc
IRR	RX Image Rejection	From RXI to RXO, Pin=-50dBm, F <sub>RXI</sub> = 835-965MHz	20			dB
<b>TRANSMITTER</b>						
F <sub>TXI</sub>	Transmitter Input Frequency Range		2.382664 - 2.507664			GHz
F <sub>TXO</sub>	Transmitter Output Frequency Range		5.725-5.850			GHz
Z <sub>TXI</sub>	Transmitter Input Impedance	Differential Impedance TXIN/TXIP Over F <sub>TXI</sub>		100		Ω
Z <sub>TXO</sub>	Transmitter Output Impedance	Over F <sub>TXO</sub>		43 + j88		Ω
P <sub>OUT</sub>	TX buffer output power at 5.85 GHz Matched into 50 ohms,	R <sub>TXISET</sub> =7.5KΩ, Pin=-6dBm R <sub>TXISET</sub> =5.5KΩ, Pin=-3dBm	3.5 5.5			dBm dBm
R <sub>TXH</sub>	Transmit harmonic output rejection	50 Ohm load		<-20		dBc
R <sub>LO</sub>	Transmit LO feed thru	Measured at TXO port with CW signal at F <sub>TXI</sub> and P <sub>TXI</sub>	-30			dBc
R <sub>RFIF</sub>	Transmit IF feed thru	Measured at TXO port with CW signal at F <sub>TXI</sub> and P <sub>TXI</sub>	-30			dBc
R <sub>2LO</sub>	Transmit 2xLO feed thru	Measured at TXO port with CW signal at F <sub>TXI</sub> and P <sub>TXI</sub>		<-30		dBc
R <sub>3LO</sub>	Transmit 3xLO feed thru	Measured at TXO port with CW signal at F <sub>TXI</sub> and P <sub>TXI</sub>		<-20		dBc
R <sub>4LO</sub>	Transmit 4xLO feed thru	Measured at TXO port with CW signal at F <sub>TXI</sub> and P <sub>TXI</sub>		<-20		dBc
R <sub>TSB</sub>	Transmit lower sideband rejection	From TXI to TXO ports at P <sub>TXI</sub> for F <sub>TXO</sub> = 835-960MHz	25			dBc

SYMBOL	PARAMETER	CONDITIONS	MIN	TYP	MAX	UNITS
R <sub>MXN</sub>	Mixer products rejection at output port	From TXI to TXO ports at P <sub>TXI</sub> for F <sub>TXO</sub> = 960-970MHz		>55		dBc
<b>INTERFACE LOGIC LEVELS</b>						
<b>Input pins (XCEN, TXON, RXGN, REFSSEL)</b>						
V <sub>IH</sub>	Input high voltage		VCCA*0.7		VCCA+0.4	V
V <sub>IL</sub>	Input low voltage		-0.4		VCCA*0.3	V
I <sub>B</sub>	Input bias current	All states	-5		5	μA
C <sub>IN</sub>	Input capacitance	1MHz test frequency		4		pF

## PIN DESCRIPTIONS

PIN	NAME	I/O	FUNCTION	DIAGRAM
<b>POWER &amp; GROUND</b>				
2	VSSMX	GROUND	Mixer Ground	N/A
7	VCCA	POWER	Regulated External Supply, Requires Proper Decoupling Components	N/A
14	VSSPLL	GROUND	PLL Ground	N/A
15	VSSLO	GROUND	VCO and LO Ground	N/A
24	VTXB	INPUT	TX Buffer Supply Voltage, Connect to Pin 7	N/A
X	VSSDB	GROUND	Exposed Paddle. Ground/Return	N/A

## SUPPLY REGULATION

1	VMIX	INPUT	2.7V Supply Decoupling Point, Connect to Pin 26	N/A
12	VREG1	OUTPUT	2.7V Regulated Supply Output	N/A
17	VREG2	OUTPUT	2.5V Regulated Supply Output	N/A
18	VBG2	OUTPUT	1.24V Bandgap2 Supply Decoupling Point	N/A
19	VREG3	OUTPUT	2.7V Regulated Supply Decoupling Point	N/A
25	VBG1	OUTPUT	1.24V Bandgap1 Supply Decoupling Point	N/A
26	VREG4	OUTPUT	2.7V Regulated Supply Output, Connect to Pins 1 and 28	N/A
28	VLNA	INPUT	2.7V LNA Supply Decoupling Point, Connect to Pin 26	N/A

RF TRANSMIT/RECEIVE DATA				
27	RXI	I (analog)	5.8GHz RX Input. A simple matching network is required for optimum noise figure. This input connects to the base of an NPN transistor and should be AC coupled.	
23	TXO	O (analog)	5.8GHz TX Output into a matched load over the 5725 to 5850 MHz range.	
4 3	RXOP RXON	O (analog)	Differential 2.4GHz RX Output.	
20 21	TXIP TXIN	I (analog)	Differential 2.4GHz TX Input	

RF CONTROL & OTHERS				
11	XCEN	I (CMOS)	<p>Transceiver Enable Input. Enables the bandgap reference and voltage regulators when high. Consumes only leakage current in STANDBY mode when low. This is a CMOS input, and the thresholds are referenced to VCCA and VSSMX.</p>	
10	TXON	I (CMOS)	<p>TX/RX Control Input. Switches the transceiver between TRANSMIT and RECEIVE modes. Circuits are powered up and signal paths reconfigured according to the operating mode. This is a CMOS input, and the thresholds are referenced to VCCA and VSSMX.</p>	
5	RFISET	I (analog)	<p>Connect to a 255Ω +/-1% resistor to ground.</p>	
6	RXGN	I (CMOS)	<p>Gain Step Input Control. Switches the receiver between high gain (when HIGH) and low gain (when LOW). This dual-gain design allows the system designer to achieve low noise figure for low input signals while maintaining a good IIP3 under high input signal conditions. This is a CMOS input, and the thresholds are referenced to VCCA and VSSMX.</p>	

13	QPO	O (analog)	Charge Pump Output. This output is connected to the external PLL loop filter. Sources current when the LO frequency is lower than desired.	
16	VTUNE	I (analog)	VCO Tuning Voltage. This input from the PLL loop filter determines the output frequency and is very sensitive to noise coupling and leakage currents.	
22	TXISET	I (analog)	A resistor between this pin and ground establishes the PA output power compression point by setting a bias current.	
8	FREF	I (analog)	Input Reference Frequency. Depending on the state of the REFSEL pin this input is divided by 3 or 4 to generate the PLL reference frequency.	
9	REFSEL	I (CMOS)	Reference Divider Control. If REFSEL is HIGH, FREF is divided by 4, otherwise FREF is divided by 3. This is a CMOS input, and the thresholds are referenced to VCCA and VSSMX.	



## FUNCTIONAL DESCRIPTION

The ML5825 is a monolithic, bilateral 2.4GHz to 5.8GHz frequency translator. It provides a simple and straightforward solution for designers of 2.4GHz products who want to develop advanced products for the relatively interference-free 5.8GHz band, especially digital cordless telephones. The ML5825 can implement “dual band” solutions that use both the 2.4GHz and 5.8GHz bands as well as “hybrid” products where one link (say, basestation transmission) is at 5.8GHz, while the other link (basestation receive) is at 2.4GHz.

5.8GHz signals enter the RXI pin and then are fed to an LNA and bandpass filter. An image-reject downconvert mixer translates the signal to the 2.4GHz ISM band where it is then buffered and sent off chip differentially on RXON/RXOP. The receive signal path can be configured for either a “High Gain” mode (about 13dB) or “Low Gain” mode (-8dB). Gain mode is selected via the RXGN digital input pin. High Gain mode is used for low-level input signals to minimize Noise Figure while Low Gain mode optimizes input IP3 for stronger signals.

2.4GHz signals come into the ML5825 differentially on the TXIP/TXIN pins, where they are upconverted to 5.8GHz, bandpass filtered, and then amplified and exit via TXO. The predriver/buffer output power compression point is programmed by an external resistor that sets the preamp bias level.

A fully integrated phase locked loop (PLL) generates the fixed local oscillator (LO) at 3342.336 MHz which is used for upconverting and downconverting the RF signals. The comparison frequency of the PLL is derived from the frequency reference present on the FREF pin and the state of REFSEL as shown in Table 1. The PLL loop filter is external to the ML5825 so that lock time and in-band phase noise can be optimized for the system of interest.

REFSEL	REFERENCE DIVISION	FREF
V <sub>IL</sub>	3	18.432 MHz
V <sub>IH</sub>	4	24.576 MHz

**Table 1: ML5825 Frequency References**

The ML5825 contains two separate bandgap references and several low dropout (LDO) voltage regulators to insure consistent performance over supply voltage and minimize crosstalk on chip. The device is enabled by bringing XCEN to V<sub>IH</sub> and is placed in transmit mode by setting TXON to V<sub>IH</sub>. With XCEN at V<sub>IL</sub> the ML5825 enters a low power standby mode.

## MODES OF OPERATION

The ML5825 has three key modes of operation. The two operational modes are RECEIVE and TRANSMIT, controlled by TXON. XCEN is the chip enable/disable control pin, which sets the device in operational or STANDBY modes. The relationship between the parallel control lines and the mode of operation of the IC is summarized in Table 2.

XCEN	TXON	MODE NAME	FUNCTION
0	X	STANDBY	Standby. All circuits powered down
1	0	RECEIVE	Receive Chain Active
1	1	TRANSMIT	Transmit Chain Active

**Table 2: Modes of Operation**

## STANDBY MODE

In STANDBY mode, the ML5825 transverter is powered down. When exiting STANDBY mode, the transmitter is disabled for 200 $\mu$ s. However, the receive path is not similarly locked out and so will receive invalid data for up to 200 $\mu$ s. Therefore, the system should wait 200 $\mu$ s after exiting STANDBY mode before actively processing signals to allow the PLL to lock. A timing diagram for the ML5825 is shown in Figure 2.

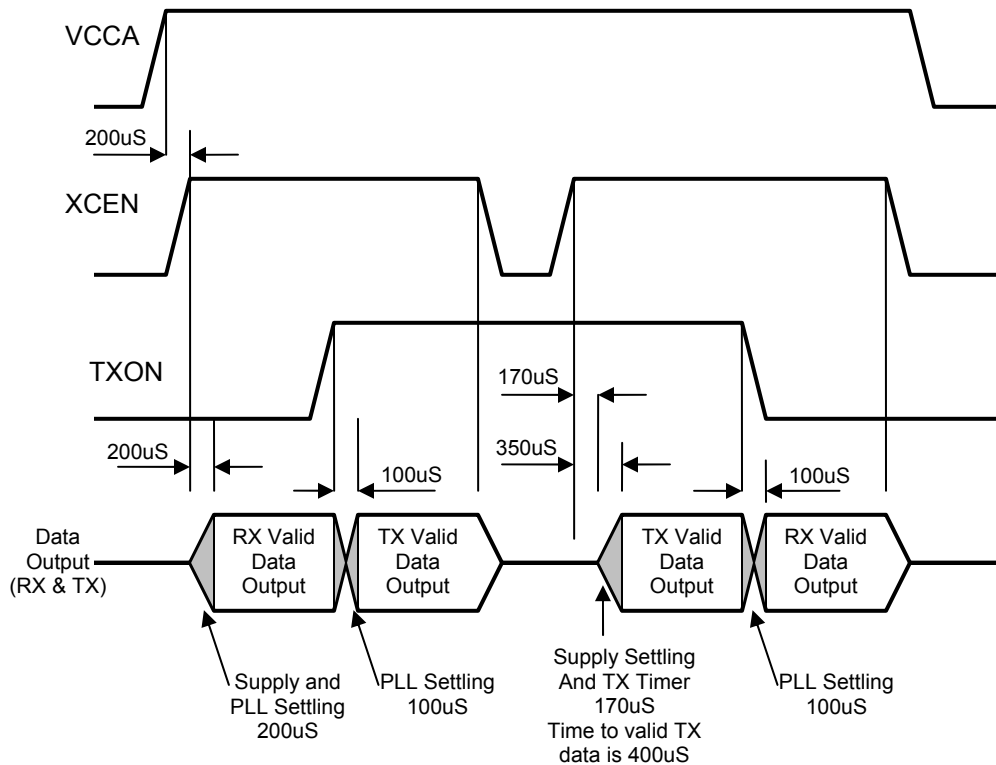


Figure 2: ML5825 Control Timing Diagram, assuming a 40 KHz loop bandwidth.

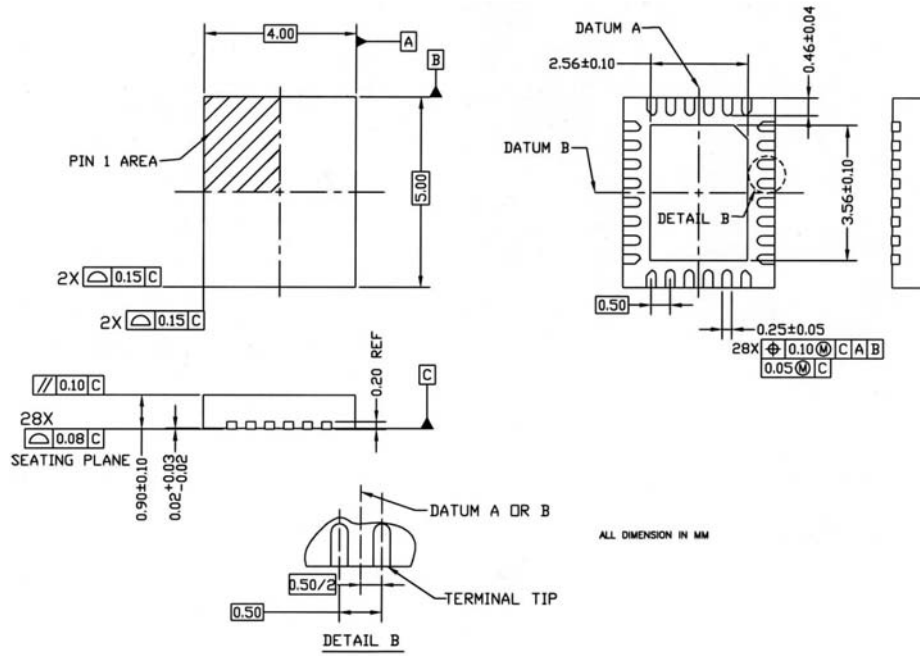
## RECEIVE MODE

In RECEIVE mode, the received signal at 5.8GHz is amplified, filtered, and downconverted to 2.4GHz. The receiver has two gain modes; High Gain (about 13dB) and Low Gain (about -8dB). Gain mode is set via the state of the RXGN input, with High Gain Mode corresponding to a logic "1" on RXGN.

## TRANSMIT MODE

In TRANSMIT mode, the transmitted signal at 2.4GHz is upconverted, filtered, and amplified at 5.8GHz. The transmit output power compression point is programmable via an external resistor on the TXISET pin.

**PHYSICAL DIMENSIONS**



**Figure 3: 28 Pin QFN Package Dimensions**

**WARRANTY**

Sirenza Microdevices makes no representations or warranties with respect to the accuracy, utility, or completeness of the contents of this publication and reserves the right to make changes to specifications and product descriptions at any time without notice. No license, express or implied, by estoppel or otherwise, to any patents or other intellectual property rights is granted by this document. The circuits contained in this document are offered as possible applications only. Particular uses or applications may invalidate some of the specifications and/or product descriptions contained herein. The customer is urged to perform its own engineering review before deciding on a particular application. Sirenza Microdevices assumes no liability whatsoever, and disclaims any express or implied warranty, relating to sale and/or use of Sirenza Microdevices products including liability or warranties relating to merchantability, fitness for a particular purpose, or infringement of any intellectual property right. Sirenza Microdevices products are not designed for use in medical, life saving, or life sustaining applications.

If this document is "Advanced", its contents describe a Sirenza Microdevices product that is currently under development. All detailed specifications including pinouts and electrical specifications may be changed without notice. If this document is "Preliminary", its contents are based on early silicon measurements. Typical data is representative of the product but is subject to change without notice. Pinout and mechanical dimensions are final. Preliminary documents supersede all Advanced documents and all previous Preliminary versions. If this document is "Final", its contents are based on a characterized product, and it is believed to be accurate at the time of publication. Final Data Sheets supersede all previously published versions. This document is Advanced.

© 2007 Sirenza Microdevices Corporation. All rights reserved. All other trademarks are the property of their respective owners.

Products described herein may be covered by one or more of the following U.S. patents: 4,897,611; 4,964,026; 5,027,116; 5,281,862; 5,283,483; 5,418,502; 5,508,570; 5,510,727; 5,523,940; 5,546,017; 5,559,470; 5,565,761; 5,592,128; 5,594,376; 5,652,479; 5,661,427; 5,663,874; 5,672,959; 5,689,167; 5,714,897; 5,717,798; 5,742,151; 5,747,977; 5,754,012; 5,757,174; 5,767,653; 5,777,514; 5,793,168; 5,798,635; 5,804,950; 5,808,455; 5,811,999; 5,818,207; 5,818,669; 5,825,165; 5,825,223; 5,838,723; 5,844,378; 5,844,941. Japan: 2,598,946; 2,619,299; 2,704,176; 2,821,714. Other patents are pending.



**Sirenza Microdevices, Inc.**, 303 S. Technology Court, Broomfield, CO 80021, USA

North America 1-303-327-3030 ● China +86-21-5835-4840 ● India +91-80-32902348

[www.sirenza.com](http://www.sirenza.com) ● [transceiver-sales@sirenza.com](mailto:transceiver-sales@sirenza.com) ● [transceiver-apps@sirenza.com](mailto:transceiver-apps@sirenza.com)