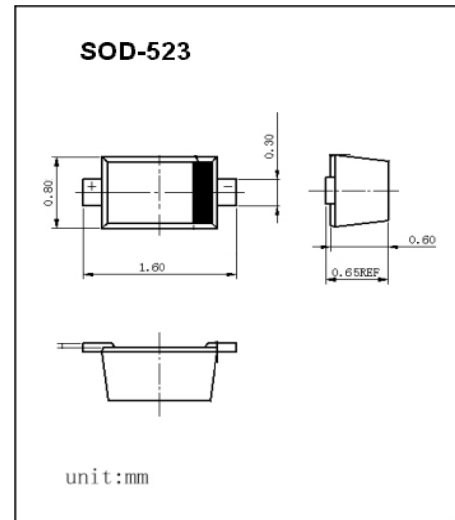




RB521S-30 Schottky barrier Diodes

FEATURES

- Small surface mounting type
- Low reverse current and low forward voltage
- High reliability



Maximum Ratings and Electrical Characteristics, Single Diode @T_A=25°C

Parameter	Symbol	Limits	Unit
DC reverse voltage	V _R	30	V
Mean rectifying current	I _O	200	mA
Peak forward surge current	I _{FSM}	1	A
Junction temperature	T _j	125	°C
Storage temperature	T _{stg}	-40~+125	°C

Electrical Ratings @T_A=25°C

Parameter	Symbol	Min.	Typ.	Max.	Unit	Conditions
Forward voltage	V _F			0.5	V	I _F =200mA
Reverse current	I _R			30	μA	V _R =10V

Typical Characteristics

RB521S-30

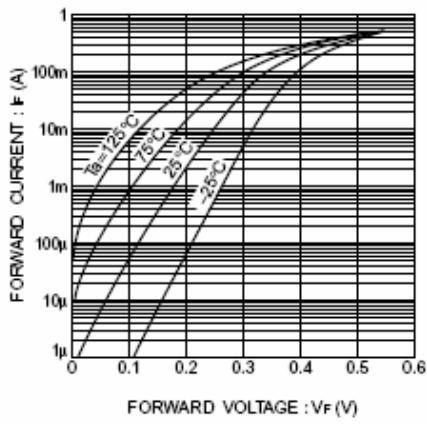


Fig. 1 Forward characteristics

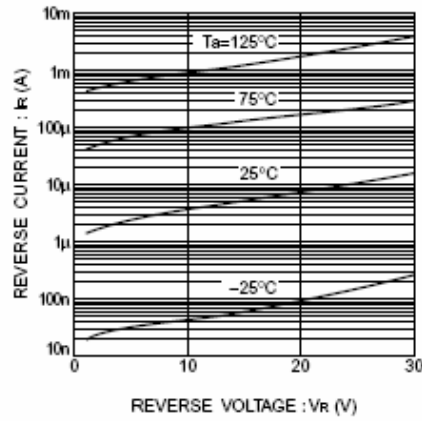


Fig. 2 Reverse characteristics

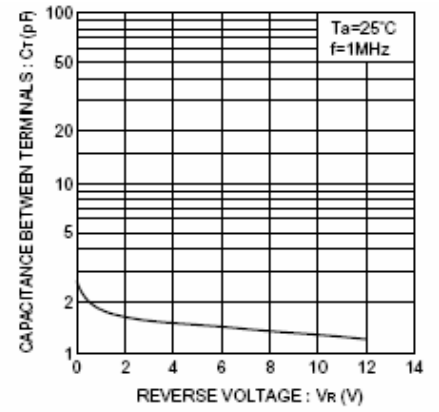


Fig. 3 Capacitance between terminals characteristics

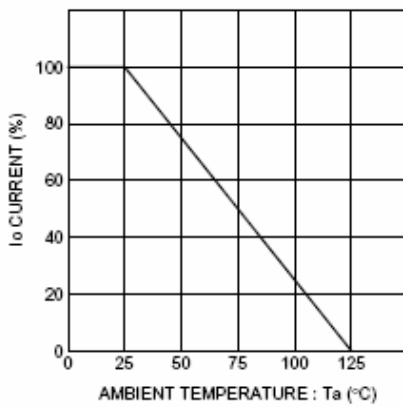


Fig. 4 Derating curve
(mounting on glass epoxy PCBs)