

GC79...F

BAR CLAMP FOR HOCKEY PUK DEVICES

Clamping total thickness of assembly from
34 mm to 128mm

Pre-loaded to the specific clamping
force (10 ÷ 20 kN)

Maximum device diameter: 66mm

Surface passivation to provide extra protection

Hexagon head bolt partially

threaded M8x1.25, UNI5737, 8.8 steel

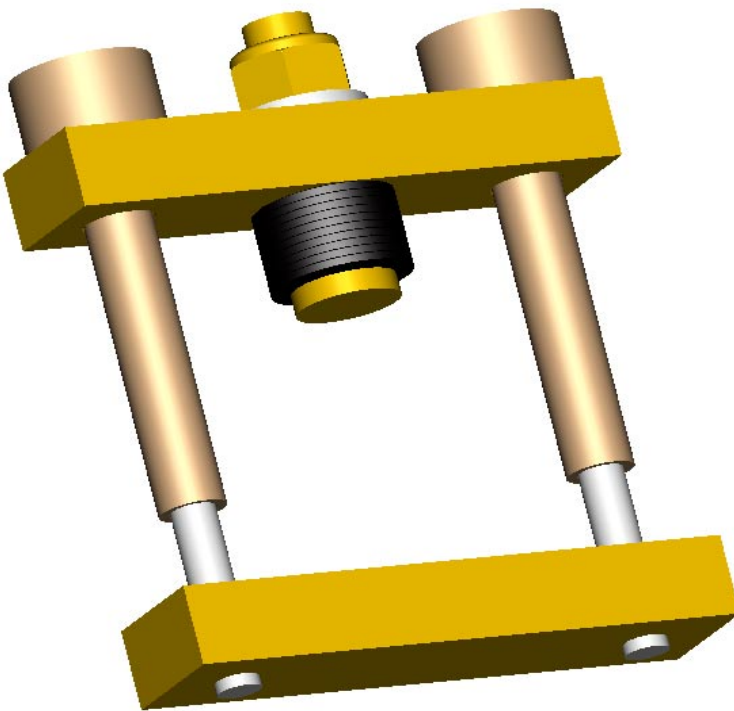
Various lengths of bolts and insulators

Flat clamping head for optimal clamping
force application

Four styles available

User friendly clamping force indicator

UL94 certified insulation material



Parameter	Unit	Types	Testing conditions	Notes	Values			
					Min	Typ	Max	
Weight	g	GC79S...F			410		510	
		GC79B...F			690		830	
Clamping Force*	kN	GC79...10F				10		
		GC79...12F				12		
		GC79...15F					15	
		GC70...20F					20	
Clamping Force tolerance						± 10%		
Insulation Voltage	V _{RMS}		1 min			3000		
Insulating Material				Noryl ® **				
UL File				E121562				
Max. working temperature	°C				-30		110	
Creepage distance:	mm					28		
Clearance distance:	mm					20.3		
Storage temperature	°C				-40		110	
Flammability	mm			UL94 V-1 Flame class rating		1.5		
	mm			UL94 V-0 Flame class rating		8.00		
	mm			CSA Flammability		1.00		

* Other clamping forces available: contact factory

** Noryl ® is a registered trade mark of General Electric

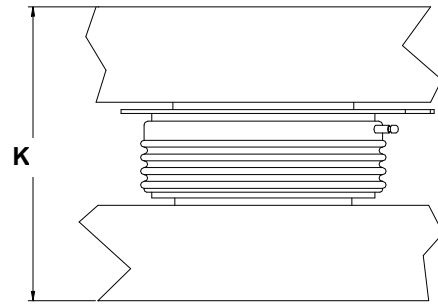


ORDERING INFORMATION TABLE

Clamps can be ordered using the following part numbering system

GC79	B	N	B	A	15	R	S
(1)	(2)	(3)	(4)	(5)	(6)		

(1) Construction type:	B = with double bar S = with single bar
(2) Insulator position:	N = upper side R = lower side
(3) Insulator code:	see table below
(4) Bolt code:	see table below
(5) Clamping force (in kN):	10 12 15 20
(6) Special accessories	blank = no accessories S = extra bar spacer



K: Total thickness of the assembly to be clamped

 For thicknesses $S'_{Min} < K < S_{Min}$ an additional 4mm thick bar spacer is needed (see list of special accessories)

Type GC79BN...F: suggested insulator/bolt types

Allowed clearance S			Insulator choice		Bolt choice		Max height
S'_{Min} [mm]**	S_{Min} [mm]	S_{Max} [mm]	(3)	Ins. Length [mm]	(4)	Bolt Length [mm]	T [mm]
34	38	53	A	50	Z	100	119
44	48	63	B	70	A	110	129
54	58	73	B	70	B	120	139
64	68	83	C	95	C	130	149
74	78	93	C	95	D	140	159
84	88	103	C	95	E	150	169
94	98	113	D	120	F	160	179

** with additional bar spacer only

Type GC79BR...F: suggested insulator/bolt types

Allowed clearance S			Insulator choice		Bolt choice		Max height
S'_{Min} [mm]**	S_{Min} [mm]	S_{Max} [mm]	(3)	Ins. Length [mm]	(4)	Bolt Length [mm]	T [mm]
34	38	53	A	50	Z	100	133
44	48	63	A	50	A	110	143
54	58	73	B	70	B	120	153
64	68	83	B	70	C	130	163
74	78	93	B	70	D	140	173
84	88	103	C	95	E	150	183
94	98	113	C	95	F	160	193

** with additional bar spacer only

Type GC79SN...F: suggested insulator/bolt types

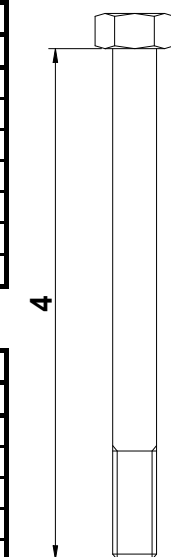
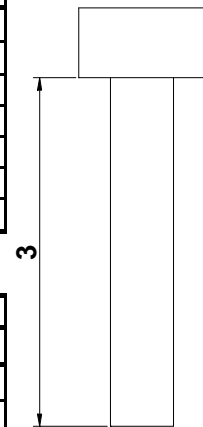
Allowed clearance S			Insulator choice		Bolt choice		Max height
S'_{Min} [mm]**	S_{Min} [mm]	S_{Max} [mm]	(3)	Ins. Length [mm]	(4)	Bolt Length [mm]	T [mm]
34	38	53	A	50	Z	100	114
44	48	63	B	70	A	110	124
54	58	73	B	70	B	120	134
64	68	83	C	95	C	130	144
74	78	93	C	95	D	140	154
84	88	103	C	95	E	150	164
94	98	113	D	120	F	160	174

** with additional bar spacer only

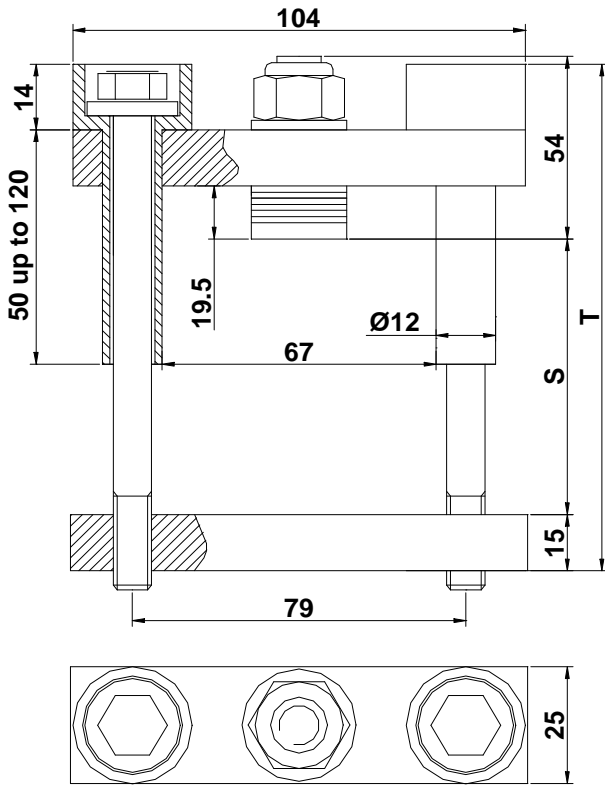
Type GC79SR...F: suggested insulator/bolt types

Allowed clearance S			Insulator choice		Bolt choice		Max height
S'_{Min} [mm]**	S_{Min} [mm]	S_{Max} [mm]	(3)	Ins. Length [mm]	(4)	Bolt Length [mm]	T [mm]
49	53	68	A	50	Z	100	133
59	63	78	B	70	A	110	143
69	73	88	B	70	B	120	153
79	83	98	C	95	C	130	163
89	93	108	C	95	D	140	173
99	103	118	C	95	E	150	183
109	113	128	D	120	F	160	193

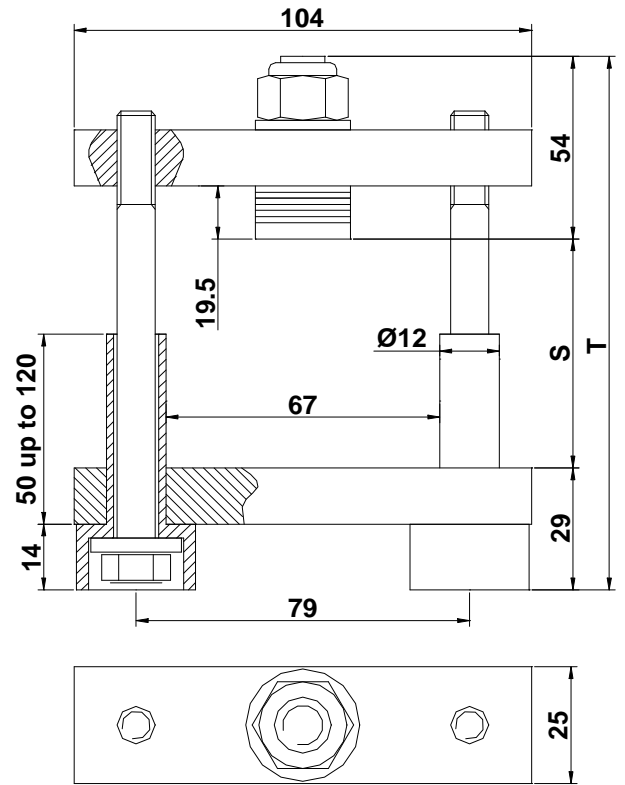
** with additional bar spacer only



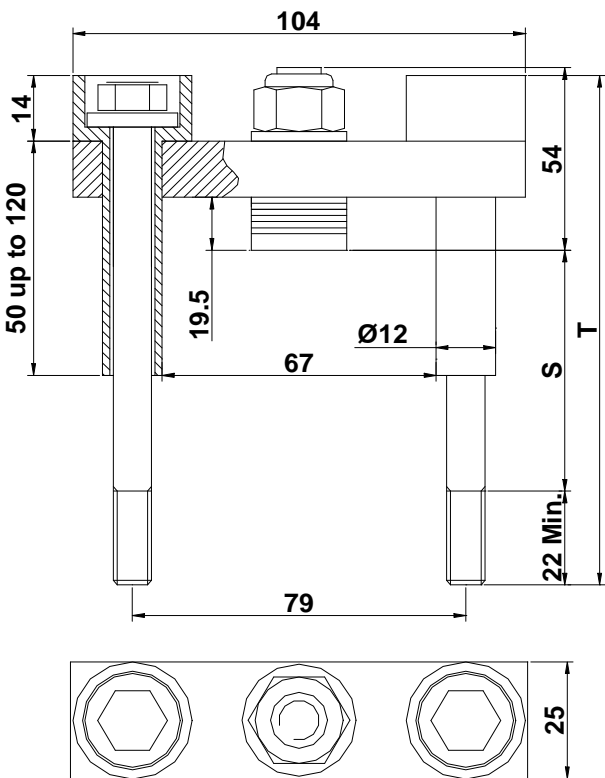
BAR CLAMP OUTLINES



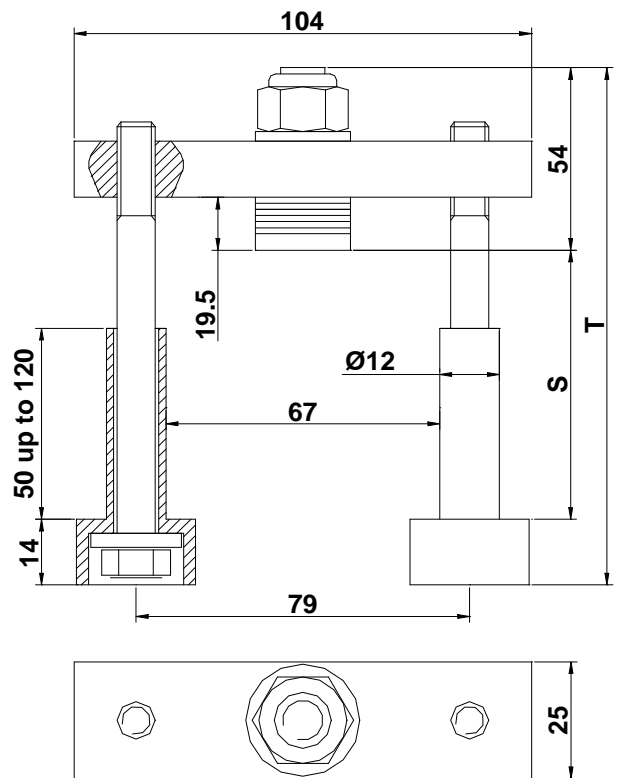
GC79BN...F



GC79BR...F

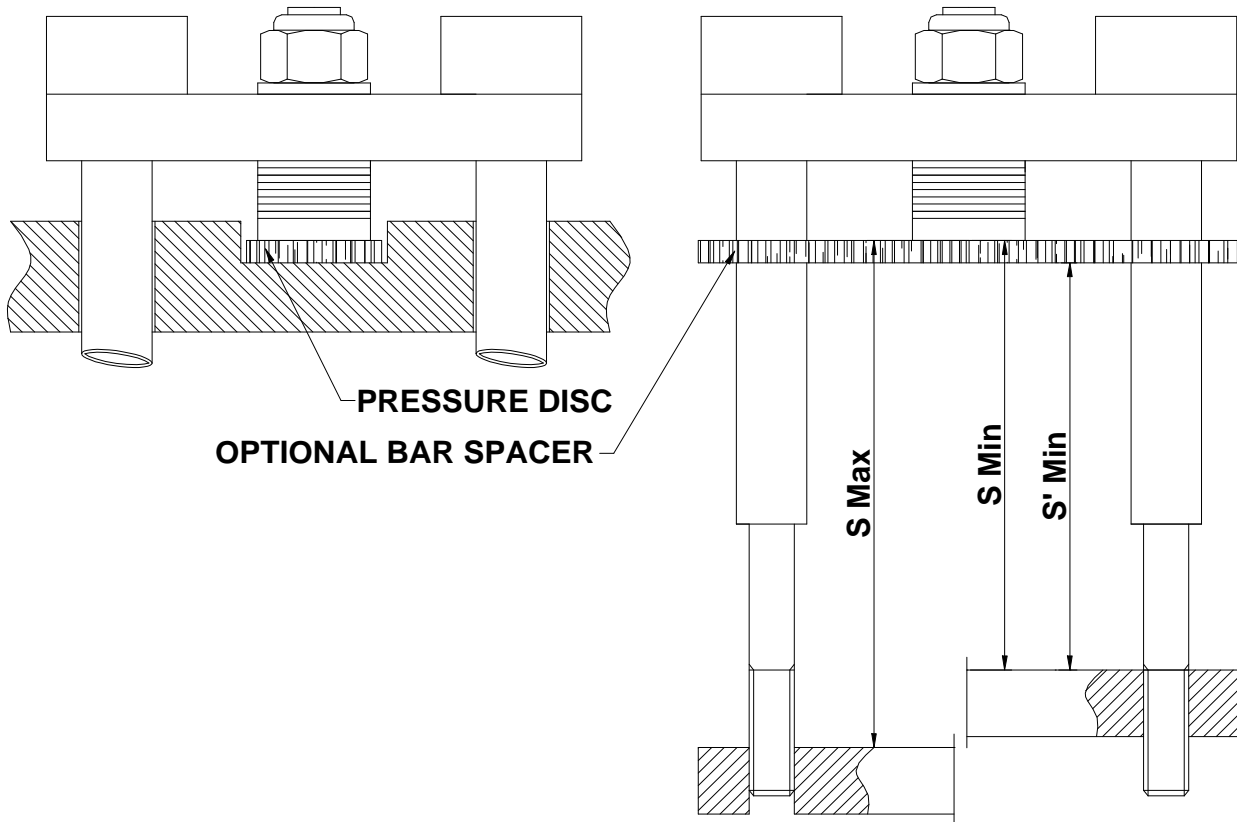


GC79SN...F



GC79SR...F

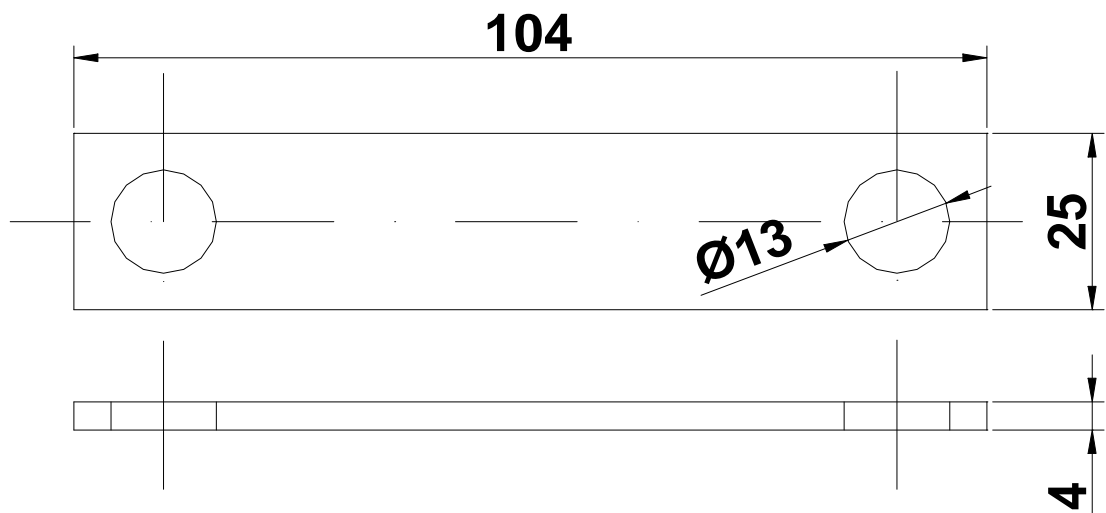
Dimensions in mm - Tolerances according to ISO 2768 MK



SPECIAL ACCESSORIES

The following special accessories are available on request (see ordering information table)

Bar spacer



Dimensions in mm - Tolerances according to ISO 2768 MK

In the interest of product improvement Green Power Solutions reserves the right to change any specification given in this data sheet without notice.