

## FEATURES AND SPECIFICATIONS



# 8.00mm (.315") Pitch 10.00mm (.394") Pitch 12.00mm (.472") Pitch 15.00mm (.591") Pitch Eurostyle® Two-Screw Terminal Strip

39100

### *Eurostyle Two-Screw Terminal Strips are available in a wide variety of pitch spacings*

The Eurostyle Two-Screw Terminal Strips from Molex allow customers to pick from a variety of pitch sizes in either a standard or low-profile version, to ensure the best fit for their design requirements. The low-profile blocks are rated at 300V, while the standard-profile blocks are rated at 600V. Amperages range from 20.0 to 63.0A depending on the particular pitch space chosen.

All Two-Screw terminal strips meet applicable industry standards and have a flammability rating of UL 94V-2. In addition, they are designed with wire protectors to prevent wire damage and to ensure a reliable connection. Pre-drilled mounting holes allow for quick and easy installation in the field. Two and three circuit jumpers are also available.

Virtually any terminal strip requirement can be met with the variety of Eurostyle Two-Screw Terminal Strip styles offered.



### *Features and Benefits*

- Modular design allows larger blocks to be easily cut into smaller circuit sizes
- Contacts and screws are recessed within the housing to help prevent short circuits
- Wire protectors prevent stranded wire damage during connection
- Range of pitch spacing, wire ranges and electrical ratings provides the customer with design flexibility to choose the block that best fits the requirements
- Easy installation saves time and money

## SPECIFICATIONS

### **Reference Information**

UL File No.: E48521

Guide No.: XCFR2

CSA: 025562

### **Electrical**

Voltage:

39100-08XX, -09XX, -10XX, -11XX, -13XX: 300V

39100-12XX, -15XX: 600V

Current:

39100-08XX, -09XX: 20.0A

39100-10XX, -11XX: 30.0A

39100-12XX, -13XX: 40.0A

39100-15XX: 63.0A

Contact Resistance: 0.1 milliohms

Insulation Resistance: 5,000 Megohms min.

### **Mechanical**

Recommended Tightening Torque:

39100-08XX, -09XX: 0.5Nm (4.4 in.-lbs.)

39100-10XX, -11XX, -12XX, -13XX:  
0.8Nm (7.0 in.-lbs.)

39100-15XX: 2.1Nm (18.5 in.-lbs.)

UL Flammability Rating: UL 94V-2

Wire Range:

39100-08XX, -09XX: 12 to 22 AWG

39100-10XX, -11XX: 10 to 18 AWG

39100-12XX, -13XX: 8 to 20 AWG

39100-15XX: 6 to 14 AWG

Insulation Temperature Resistance:

Continuous — +100°C

Short Term — +140°C

### **Physical**

Housing: Nylon, Polyamide 6/6

Terminal: Brass

Wire Protector: Stainless Steel

Screw: Steel

Plating:

Terminal — Nickel

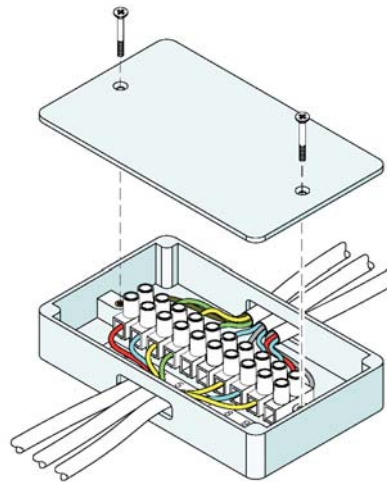
Screw — Zinc

## APPLICATIONS



**8.00mm (.315") Pitch**  
**10.00mm (.394") Pitch**  
**12.00mm (.472") Pitch**  
**15.00mm (.591") Pitch**  
**Eurostyle® Two-Screw**  
**Terminal Strip**

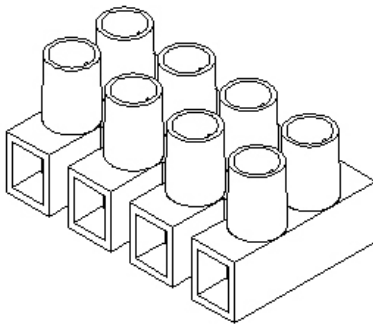
- Power supplies
- Spa controllers
- HVAC equipment
- Motor controls
- Lighting controls



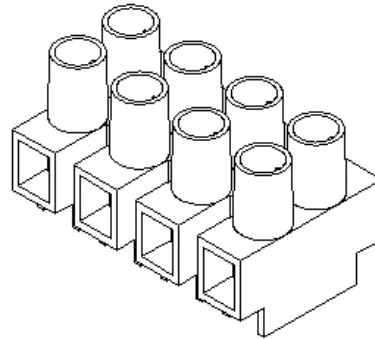
**Junction Box**

**39100**

## ORDERING INFORMATION



**Low-Profile Terminal Strip**



**Standard-Profile Terminal Strip**

| Circuits               | Order No.                     |                                 |                               |                                 |                               |                                 |                                 |
|------------------------|-------------------------------|---------------------------------|-------------------------------|---------------------------------|-------------------------------|---------------------------------|---------------------------------|
|                        | 8.00mm (.315") Pitch          |                                 | 10.00mm (.394") Pitch         |                                 | 12.00mm (.472") Pitch         |                                 | 15.00mm (.591") Pitch           |
|                        | Low-Profile without Standoffs | Standard-Profile with Standoffs | Low-Profile without Standoffs | Standard-Profile with Standoffs | Low-Profile without Standoffs | Standard-Profile with Standoffs | Standard-Profile with Standoffs |
| 2                      | 39100-0902                    | 39100-0802                      | 39100-1102                    | 39100-1002                      | 39100-1302                    | 39100-1202                      | 39100-1502                      |
| 3                      | 39100-0903                    | 39100-0803                      | 39100-1103                    | 39100-1003                      | 39100-1303                    | 39100-1203                      | 39100-1503                      |
| 4                      | 39100-0904                    | 39100-0804                      | 39100-1104                    | 39100-1004                      | 39100-1304                    | 39100-1204                      | 39100-1504                      |
| 5                      | 39100-0905                    | 39100-0805                      | 39100-1105                    | 39100-1005                      | 39100-1305                    | 39100-1205                      | 39100-1505                      |
| 6                      | 39100-0906                    | 39100-0806                      | 39100-1106                    | 39100-1006                      | 39100-1306                    | 39100-1206                      | 39100-1506                      |
| 7                      | 39100-0907                    | 39100-0807                      | 39100-1107                    | 39100-1007                      | 39100-1307                    | 39100-1207                      | 39100-1507                      |
| 8                      | 39100-0908                    | 39100-0808                      | 39100-1108                    | 39100-1008                      | 39100-1308                    | 39100-1208                      | 39100-1508                      |
| 9                      | 39100-0909                    | 39100-0809                      | 39100-1109                    | 39100-1009                      | 39100-1309                    | 39100-1209                      | 39100-1509                      |
| 10                     | 39100-0910                    | 39100-0810                      | 39100-1110                    | 39100-1010                      | 39100-1310                    | 39100-1210                      | 39100-1510                      |
| 11                     | 39100-0911                    | 39100-0811                      | 39100-1111                    | 39100-1011                      | 39100-1311                    | 39100-1211                      | 39100-1511                      |
| 12                     | 39100-0912                    | 39100-0812                      | 39100-1112                    | 39100-1012                      | 39100-1312                    | 39100-1212                      | 39100-1512                      |
| <b>Jumper Circuits</b> |                               |                                 |                               |                                 |                               |                                 |                                 |
| Circuits               | 8.00mm (.315") Pitch          |                                 | 10.00mm (.394") Pitch         |                                 | 12.00mm (.472") Pitch         |                                 | 15.00mm (.591") Pitch           |
| 2                      | 38002-1730                    |                                 | 38002-1732                    |                                 | 38002-1734                    |                                 | 38002-1736                      |
| 3                      | 38002-1731                    |                                 | 38002-1733                    |                                 | 38002-1735                    |                                 | N/A                             |

**Americas Headquarters**  
 Lisle, Illinois 60532 U.S.A.  
 1-800-78MOLEX  
 amerinfo@molex.com

**Far East North Headquarters**  
 Yamato, Kanagawa, Japan  
 81-462-65-2324  
 feninfo@molex.com

**Far East South Headquarters**  
 Jurong, Singapore  
 65-6-268-6868  
 fesinfo@molex.com

**European Headquarters**  
 Munich, Germany  
 49-89-413092-0  
 eurinfo@molex.com

**Corporate Headquarters**  
 2222 Wellington Ct.  
 Lisle, IL 60532 U.S.A.  
 630-969-4550  
 Fax:630-969-1352

Visit our Web site at <http://www.molex.com/product/tblocks.html>