

OEM-EP

Miniature electronic pressure controllers

FEATURES

- Silent operation
- Long life
- High accuracy
- Small size
- Low power consumption
- Internal closed loop control
- Includes thermally compensated proportional VSO® valve

MEDIA COMPATIBILITY

Non-corrosive gases



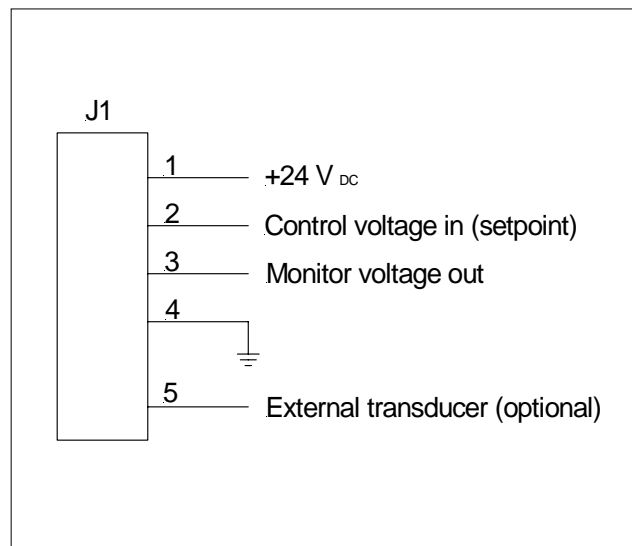
ELECTRICAL

Power	24 V _{DC} ± 10%
Input control signal	0...5 V _{DC}
Monitor output voltage	0...5 V _{DC}
Current requirement	<150 mA
Electrical connector	6 pin miniature interface cable included

PHYSICAL PROPERTIES

Operating environment	0 to 55 °C
Storage temperature	-40 to 55 °C
Porting	10-32 UNF female ports

ELECTRICAL CONNECTION



VSO is a registered trademark of Parker Hannifin Corporation.

PRESSURE RANGES CHARACTERISTICS

Part no.	Pressure range*	Maximum supply pressure
OEM...0-2	0...2 psig	150% of pressure transducer rating
OEM..0-15	0...15 psig	
OEM...0-50	0...50 psig	
OEM...0-100	0...100 psig	

* Custom ranges available (including 0...5, 0...7, 0...30, 0...70 psig)

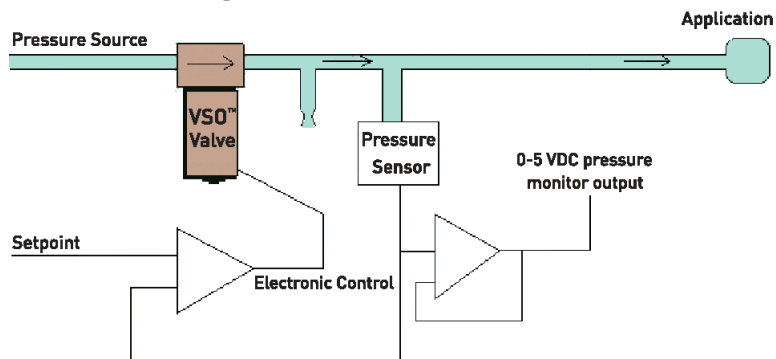
PERFORMANCE CHARACTERISTICS

Characteristics	Min.	Typ.	Max.	Unit
Pressure accuracy		±0.2	±1.5	%FS
Non-linearity			±1.0	
Response time*			15	ms

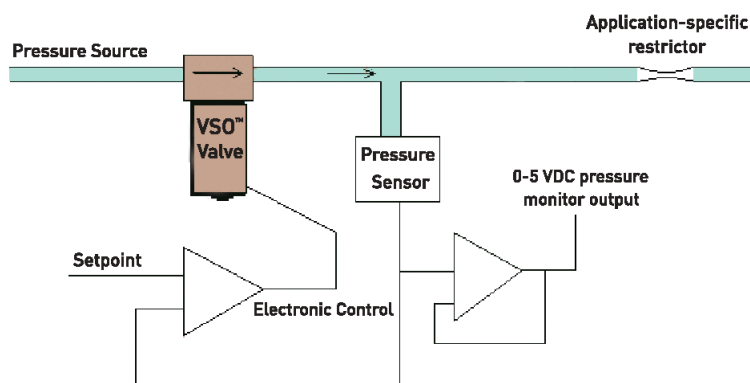
* Response time to target pressure is output volume dependent

CONFIGURATIONS

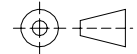
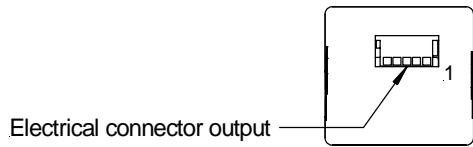
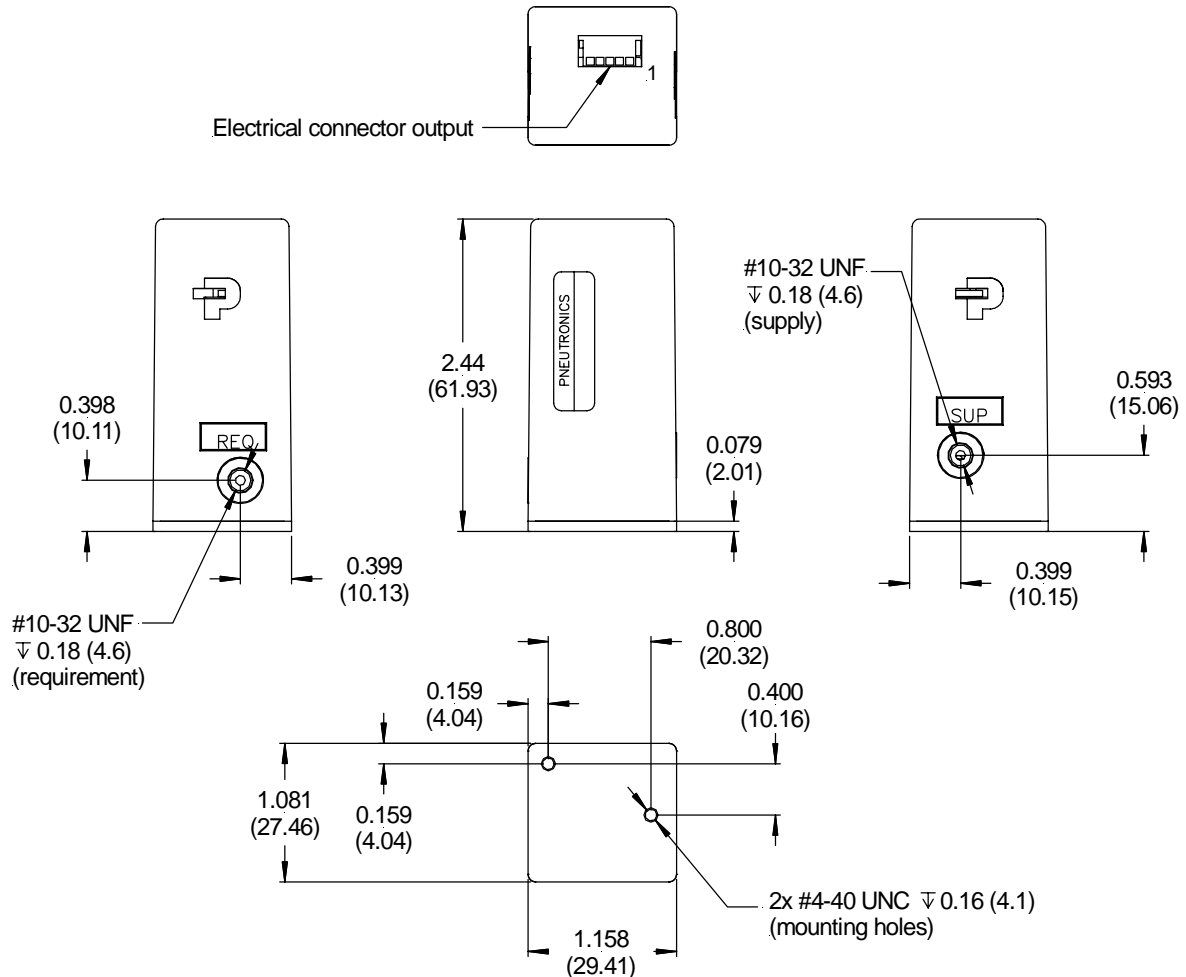
Pressure control: Standard configuration



Pressure control: Alternate configuration



PHYSICAL DIMENSIONS



third angle projection

dimensions in inches (mm)

mass: approx. 50 g

OEM-EP

Miniature electronic pressure controllers

ORDERING INFORMATION

Options	Series	Configuration		Valve orifice		Electrical input		Pneumatic range*	
		OEM	EPS:	Standard pressure control	1:	0.01 "	0-5:	0...5 V _{DC}	0-2:
		GCA:	Alternate pressure control	3:	0.03 "			0-15:	0...15 psi
								0-50:	0...50 psi
								0-100:	0...100 psi
									* consult Sensortech for custom pressure ranges

Available listings:

- OEMEPS10-50-2
- OEMEPS10-50-15
- OEMEPS10-50-100
- OEMEPS30-50-2
- OEMEPS30-50-15
- OEMEPS30-50-50
- OEMEPS30-50-100
- OEMGCA30-50-15
- OEMGCA30-50-50
- OEMGCA30-50-100

**CUSTOM PRESSURE RANGES AND CONFIGURATIONS ARE AVAILABLE.
PLEASE CONTACT YOUR NEAREST SENSORTECHNICS SALES OFFICE.**

Sensortech reserves the right to make changes to any products herein. Sensortech does not assume any liability arising out of the application or use of any product or circuit described herein, neither does it convey any license under its patent rights nor the rights of others.