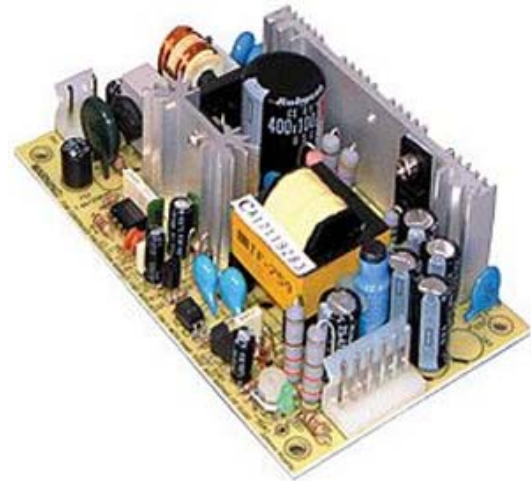


FEATURES

- Medical Application
- Low Cost, High Reliability
- Compact Size, Light Weight
- 100% Full Load Burn-In Test
- Universal AC Input/ Full Range
- UL2601-1, EN60601-1 Approved
- Built-In EMI Filter, Low Ripple Noise
- High Efficiency, Low Working Temperature
- Short Circuit, Overload, and Over Voltage Protected



SPECIFICATIONS: PSMPT45 Series

All specifications are based on 25°C, Nominal Input Voltage, and Maximum Output Current unless otherwise noted.
We reserve the right to change specifications based on technological advances.

INPUT SPECIFICATIONS

Input Voltage	90 – 264VAC (127 – 370VDC)
Input Frequency	47 to 440Hz
AC Current (typical)	1.2A @ 115VAC / 0.7A @ 230VAC
Inrush Current	20A @ 115VAC cold start / 40A @ 230VAC cold start.
Leakage Current	Less than 0.3mA @ 264VAC

OUTPUT SPECIFICATIONS

Output Voltage	See Table
Output Voltage Tolerance	±4.0% (CH.1), ±7.0% (CH.2), ±5% (CH.3)
Output Adjustment Range	CH1: ±10% rated output voltage.
Output Power (max)	52 Watts with 18CFM forced air flow.
Line Regulation	±1% (CH.1 & CH.3), ±2% (CH.2)
Load Regulation	±3% (CH.1), ±4% (CH.2), ±1% (CH.3)
Output Current	See Table
Ripple & Noise	See table
Setup, Rise Time	800ms and 20ms at full load and 230VAC, 800ms and 20ms at full load and 15VAC
Hold-Up Time	80ms at full load and 230VAC, 12ms at full load and 115VAC
Temperature Coefficient	±0.04%/°C (0~50°C) on +5V output.

PROTECTION

Over Voltage Protection	CH.1: 115~135% rated output voltage.
Overload Protection	53~75W hiccup mode, auto-recovery.

GENERAL SPECIFICATIONS

Switching Frequency (fixed)	45KHz
Efficiency	Up to 75%
Isolation Voltage (Input to Output)	4000VAC for 1 min.
Isolation Voltage (Input to FG)	1500VAC for 1min.
Isolation Voltage (Output to FG)	500VAC for 1 min.
Isolation Resistance (Input to Output)	500VDC / 100MΩ

ENVIRONMENTAL SPECIFICATIONS

Operating Temperature	-10°C to +60°C (refer to derating curve)
Storage Temperature	-20°C to +85°C
Operating Humidity (non-condensing)	20% ~ 90% RH
Storage Humidity (non-condensing)	10% ~ 95% RH
Vibration	10~500Hz, 2G 10min./1cycle, Period for 60 minutes each along X, Y, and Z axes.
MTBF	271,500 hours min. MIL-HDBK-217 (25°C)

PHYSICAL SPECIFICATIONS

Weight	230g
Dimensions	127(L) x 76(W) x 28(H) mm PCB only

SAFETY & EMC

Agency Approvals	UL/ CUL/ TUV/ CB/ CE
Safety Standards	UL2601-1, TUV EN60601-1, IEC601-1 Approved
EMC Standards	EN55011 class B, EN61000-4-2,3,4,5,6,8,11, EN61000-3-2,3, EN60601-1-2, ENV50204

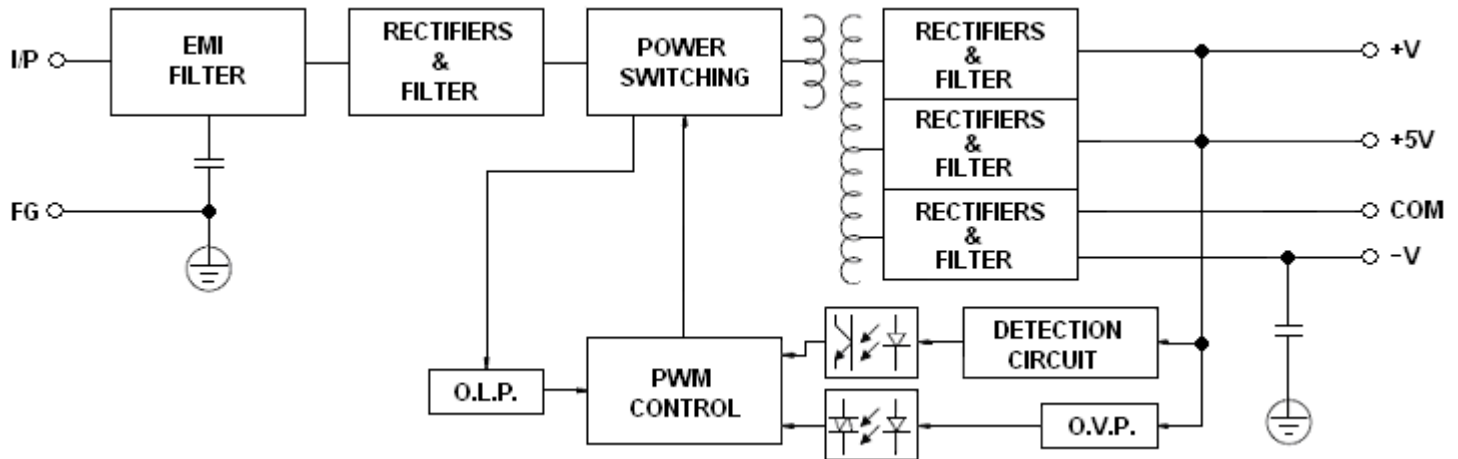
OUTPUT VOLTAGE / CURRENT RATING CHART

Model		Input Voltage	Output Voltage	Output Current Range	Output Current	Ripple & Noise	Output Power
PSMPT45A	Channel 1	90~264 VAC (127~370 VDC)	5 VDC	0.4 - 5A	3A	60mVp-p	40.5W
	Channel 2		12 VDC	0.2 - 2.5A	2A	120mVp-p	
	Channel 3		-5 VDC	0 - 0.5A	0.3A	60mVp-p	
PSMPT45B	Channel 1		5 VDC	0.4 - 5A	3A	60mVp-p	42.6W
	Channel 2		12 VDC	0.2 - 2.5A	2A	120mVp-p	
	Channel 3		-12 VDC	0 - 0.5A	0.3A	100mVp-p	
PSMPT45C	Channel 1		5 VDC	0.4 - 5A	3A	60mVp-p	43.5W
	Channel 2		15 VDC	0.2 - 2.3A	1.6A	120mVp-p	
	Channel 3		-15 VDC	0 - 0.5A	0.3A	100mVp-p	

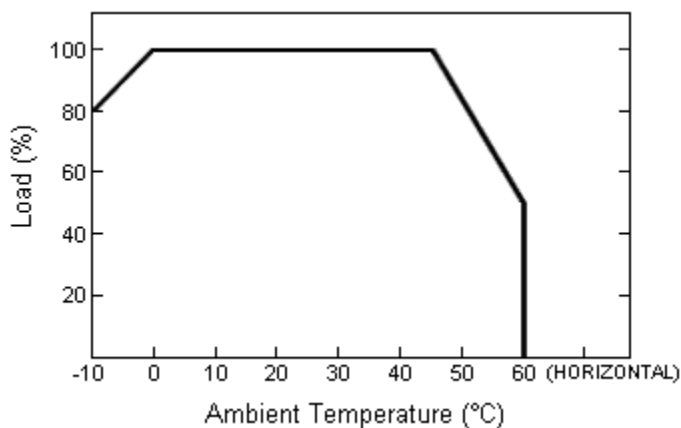
NOTES

1. All parameters are specified at 230VAC input, rated load, 25°C ambient.
2. Tolerances include set up tolerance, line regulation, load regulation.
3. Line regulation is measured from low line to high line at rated load.
4. Mounting holes M1 and M2 should be grounded for EMI purposes.
5. Ripple & noise are measured at 20MHz by using a 12" twisted pair terminated with a 0.1uF & 47uF capacitor.

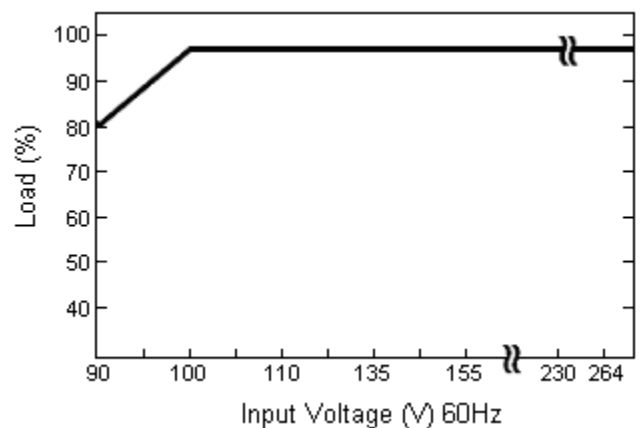
BLOCK DIAGRAM



DERATING CURVE

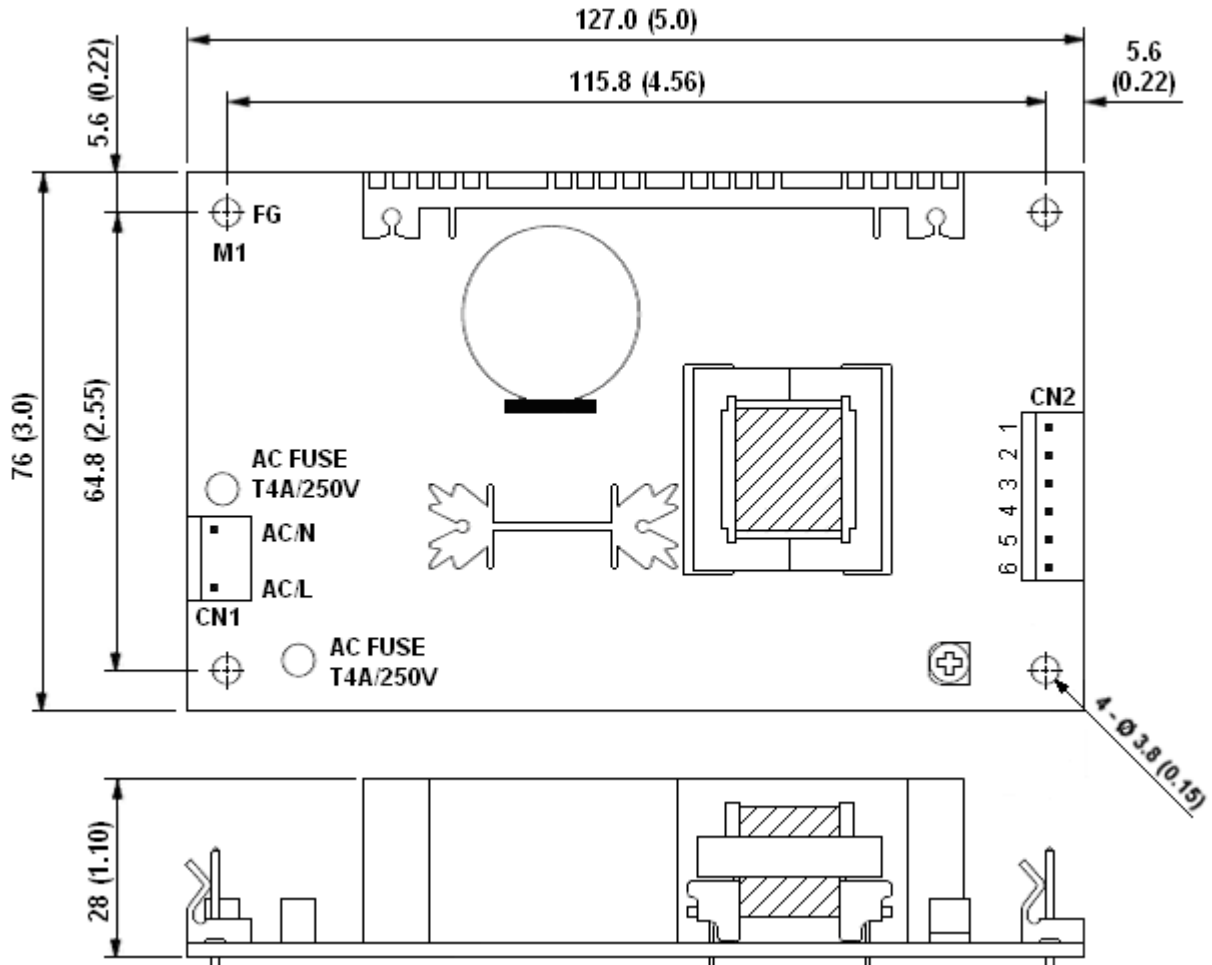


STATIC CHARACTERISTICS



MECHANICAL DRAWING

Unit: mm (inches)



AC Input Connector (CN1): Molex 5277-02 or equivalent

Pin. No	Assignment	Mating Housing	Terminal
1	AC/N	Molex 5195 or equivalent	Molex 5194 or equivalent
2	AC/L		

DC Output Connector (CN2): Molex 5273-06 or equivalent

Pin No.	Assignment	Mating Housing	Terminal
1	+V	Molex 5195 or equivalent	Molex 5194 or equivalent
2,3	+5V		
4,5	COM		
6	-V		