

# CTDR2 Series

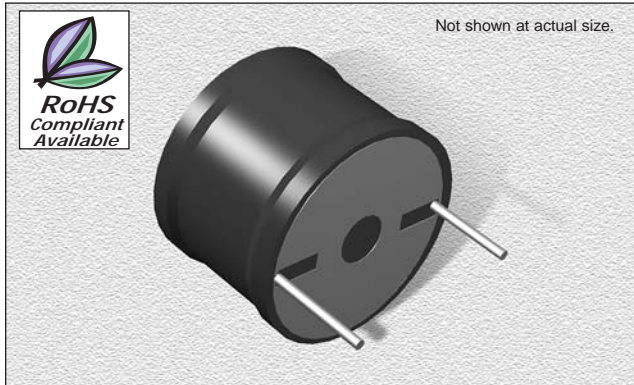
From 1.0  $\mu$ H to 2,200  $\mu$ H

## SPECIFICATIONS

Part numbers indicate available tolerance.

K =  $\pm 10\%$ , M =  $\pm 20\%$

CTDR2E Please specify "F" for RoHS compliant.



### CHARACTERISTICS

**Description:** Radial leaded drum core inductor

**Applications:** Used in switching regulators, power amplifiers, power supplies, SCR and Triac controls, speaker crossover networks, RFI suppression and filters

**Operating Temperature:** -25°C to +85°C

**Temperature Rise:** 50°C Max. at IDC

**IDC:** Current at which inductance drops 10% Max.

**Inductance Tolerance:**  $\pm 10\%$ ,  $\pm 20\%$

**Testing:** Inductance is tested on an HP4284A at 1.0 kHz

**Packaging:** Bulk pack

**Sleeving:** Coils finished with UL-VW-1 sleeving

**Mounting:** Center hole furnished for mechanical mounting

**Miscellaneous:** RoHS Compliant available. Non-standard tolerances and other values available.

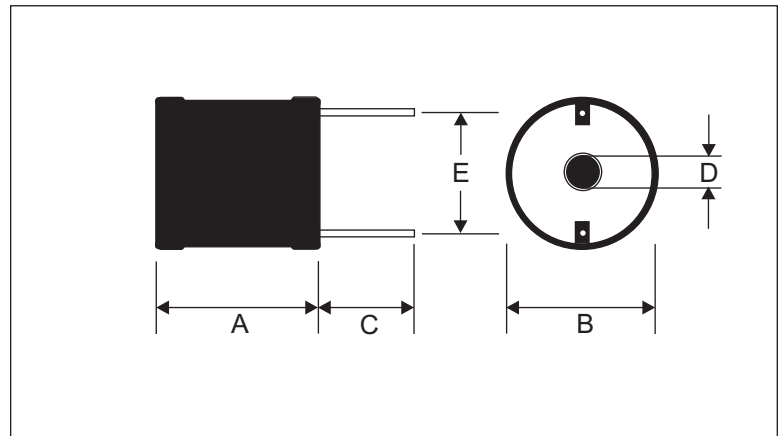
**Additional Information:** Additional electrical & physical information available upon request

**Samples available. See website for ordering information.**

| Part Number | Inductance ( $\mu$ H) | L Test Freq. (kHz) | DCR Max. ( $\Omega$ ) | IDC Max. (A) |
|-------------|-----------------------|--------------------|-----------------------|--------------|
| CTDR2_-1R0M | 1.0                   | 1.0                | .003                  | 11.4         |
| CTDR2_-1R2M | 1.2                   | 1.0                | .003                  | 11.4         |
| CTDR2_-1R5M | 1.5                   | 1.0                | .003                  | 11.4         |
| CTDR2_-1R8M | 1.8                   | 1.0                | .003                  | 11.4         |
| CTDR2_-2R2M | 2.2                   | 1.0                | .004                  | 11.4         |
| CTDR2_-3R3M | 3.3                   | 1.0                | .005                  | 11.4         |
| CTDR2_-3R9M | 3.9                   | 1.0                | .005                  | 11.4         |
| CTDR2_-4R7M | 4.7                   | 1.0                | .005                  | 11.4         |
| CTDR2_-5R6M | 5.6                   | 1.0                | .006                  | 11.4         |
| CTDR2_-6R8M | 6.8                   | 1.0                | .007                  | 11.4         |
| CTDR2_-8R2M | 8.2                   | 1.0                | .007                  | 11.4         |
| CTDR2_-100M | 10                    | 1.0                | .009                  | 11.4         |
| CTDR2_-120K | 12                    | 1.0                | .009                  | 11.4         |
| CTDR2_-150K | 15                    | 1.0                | .013                  | 9.0          |
| CTDR2_-180K | 18                    | 1.0                | .018                  | 7.2          |
| CTDR2_-220K | 22                    | 1.0                | .019                  | 7.2          |
| CTDR2_-270K | 27                    | 1.0                | .026                  | 5.5          |
| CTDR2_-330K | 33                    | 1.0                | .029                  | 5.5          |
| CTDR2_-390K | 39                    | 1.0                | .030                  | 5.5          |
| CTDR2_-470K | 47                    | 1.0                | .035                  | 5.5          |
| CTDR2_-560K | 56                    | 1.0                | .039                  | 5.5          |
| CTDR2_-680K | 68                    | 1.0                | .053                  | 4.8          |
| CTDR2_-820K | 82                    | 1.0                | .060                  | 4.8          |
| CTDR2_-101K | 100                   | 1.0                | .080                  | 4.0          |
| CTDR2_-121K | 120                   | 1.0                | .090                  | 4.0          |
| CTDR2_-151K | 150                   | 1.0                | .098                  | 4.0          |
| CTDR2_-181K | 180                   | 1.0                | .110                  | 4.0          |
| CTDR2_-221K | 220                   | 1.0                | .150                  | 2.8          |
| CTDR2_-271K | 270                   | 1.0                | .213                  | 2.0          |
| CTDR2_-331K | 330                   | 1.0                | .305                  | 1.6          |
| CTDR2_-391K | 390                   | 1.0                | .320                  | 1.6          |
| CTDR2_-471K | 470                   | 1.0                | .355                  | 1.6          |
| CTDR2_-561K | 560                   | 1.0                | .388                  | 1.6          |
| CTDR2_-681K | 680                   | 1.0                | .430                  | 1.6          |
| CTDR2_-821K | 820                   | 1.0                | .590                  | 1.3          |
| CTDR2_-102K | 1000                  | 1.0                | .818                  | 1.0          |
| CTDR2_-122K | 1200                  | 1.0                | 1.14                  | 0.8          |
| CTDR2_-152K | 1500                  | 1.0                | 1.26                  | 0.8          |
| CTDR2_-182K | 1800                  | 1.0                | 1.39                  | 0.8          |
| CTDR2_-222K | 2200                  | 1.0                | 1.54                  | 0.8          |

### PHYSICAL DIMENSIONS

| Size   | A<br>Max. | B<br>Max. | C               | D<br>Typ. | E<br>Typ. |
|--------|-----------|-----------|-----------------|-----------|-----------|
| mm     | 22.0      | 22.0      | 15 $\pm$ 2      | 3.9       | 15        |
| inches | 0.87      | 0.87      | 0.59 $\pm$ 0.08 | 0.15      | 0.59      |



04.20.05