

# Temperature Compensated Crystal Oscillator Voltage Trim Option Available



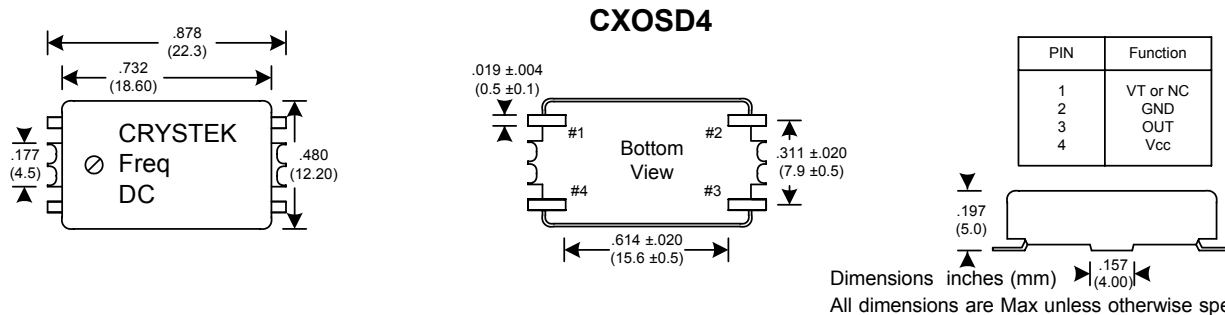
Designed to meet today's requirements for tighter frequency stability tolerance while reducing unit cost.

## CXOSD4 / CXOSVD4 Model 4 Pin SMD, 3.3V & 5V, Clipped Sine

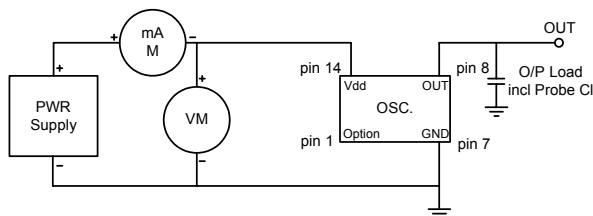
<b>Frequency Range:</b>	8MHz to 30MHz 3.3V limited to 25.6MHz
<b>Frequency Stability:</b>	±1ppm to ±5ppm
<b>Freq. Stability vs Volt:</b>	±0.5ppm Max
<b>Freq. Stability vs Load:</b>	±0.3ppm Max
<b>Temperature Range:</b>	-40°C to 85°C
<b>Storage:</b>	-55°C to 120°C
<b>Input Voltage:</b>	3.3V or 5V ± 5%
<b>Mech. Trim. Range:</b>	±3ppm Min
(Option V)	Voltage Trim Pin 1
<b>Input Current:</b>	2mA Typ, 5mA Max
<b>Output:</b>	Clipped Sinewave
Output Voltage:	5V = 1.0Vpp Min 3.3V = 0.8Vpp Min
Load:	20K Ohm / 5pF Max
<b>Phase Noise Typ:</b>	
10Hz	-100dBc/Hz
100Hz	-130dBc/Hz
1KHz	-140dBc/Hz
10KHz	-145dBc/Hz
100KHz	-150dBc/Hz
<b>Aging:</b>	<1ppm Max/Yr

### VCTCXO Specification

<b>Voltage Trim Pin 1:</b>	± 5ppm Min
<b>Control Voltage:</b>	(5V) 2.5V ± 2.5V (3.3V) 1.65V ± 1.65V



Dimensions inches (mm) All dimensions are Max unless otherwise specified.



	Operating Temperature	Freq. Stability (± ppm)						
		1.0	1.5	2.0	2.5	3.0	4.0	5.0
A	0°C to 50°C							
B	-10°C to 60°C			2.0	2.5	3.0	4.0	5.0
C	-10°C to 70°C			2.0	2.5	3.0	4.0	5.0
D	-20°C to 70°C			2.0	2.5	3.0	4.0	5.0
E	-30°C to 60°C			2.0	2.5	3.0	4.0	5.0
F	-30°C to 70°C			2.0	2.5	3.0	4.0	5.0
G	-30°C to 75°C			2.0	2.5	3.0	4.0	5.0
H	-40°C to 85°C					3.0	4.0	5.0
P		A	B	C	D	E	F	

Table 1

### Crystek Part Number Guide

**CXOSVD4 - B C 3 - 25.000**

#1	#2	#3	#4	#5	#6
#1 Crystek TCXO 4 Pin SMD Clipped Sinewave	#2 V or blank = (V = Volt Trim) (Blank = Mech. Trim)	#3 Letter = Operating Temperature (see table 1)	#4 Letter = Frequency Stability (see table 1)	#5 3 or blank = Input Volt (3 = 3.3 volts) (Blank = 5V)	#6 Frequency in MHz: 3 or 6 decimal places

Example:  
 CXOSD4-BC3-25.000 = mech. trim, -10/60, ±2.5ppm, 3.3V, 25.000MHz  
 CXOSVD4-BC3-25.000 = volt. trim, -10/60, ±2.5ppm, 3.3V, 25.000MHz

Specifications subject to change without notice.

TD-020816 Rev. D