

**INTRODUCTION:**

Adam Tech MTJP Series Wire Leaded Telephone Handset and Panel Jacks are conveniently prepared with wire leads ready for final assembly. This series has a multitude of housing shapes to fit many specific applications. They are offered in 4, 6 & 8 positions with choice of Stripped and Tinned leads or leads with Spade Terminals, Adam Tech Jacks are UL and CSA approved and meet all required FCC rules and regulations.

**FEATURES:**

UL & CSA approved  
 FCC compliant to No. 47 CFR part 68  
 Prepared for Final Assembly  
 4P, 6P and 8P versions  
 Custom Jacks available

**MATING PLUGS:**

All telephone line cords manufactured with telephone plugs

**SPECIFICATIONS:**

**Material:**

Insulator: ABS, (Nylon 66 optional), rated UL94V-0  
 Insulator Colors: Medium gray or black  
 Contacts: Phosphor Bronze  
 Wires: 26 Awg, UL-1061, 80°C, VW-1, 300V.

**Contact Plating:**

Gold Flash over Nickel underplate on contact area.

**Electrical:**

Operating voltage: 150V AC max.  
 Current rating: 1.5 Amps max.  
 Contact resistance: 20 mΩ max. initial  
 Insulation resistance: 500 MΩ min.  
 Dielectric withstanding voltage: 500V AC for 1 minute

**Mechanical:**

Insertion force: 4 Contacts: 500g, 6 contacts 750g  
 8 contacts: 900g, 10 contacts: 1000g  
 Durability: 500 Cycles

**Temperature Rating:**

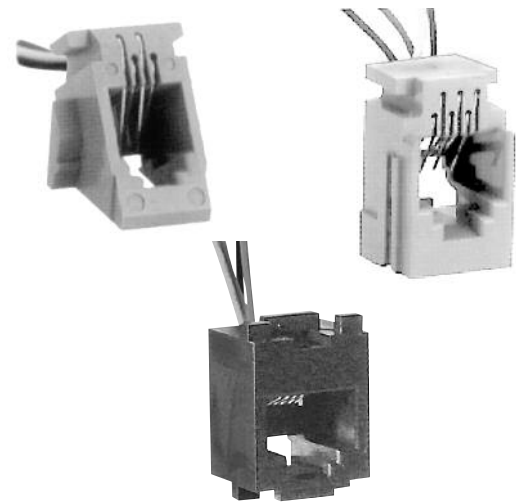
Operating temperature: -40°C to +125°C

**PACKAGING:**

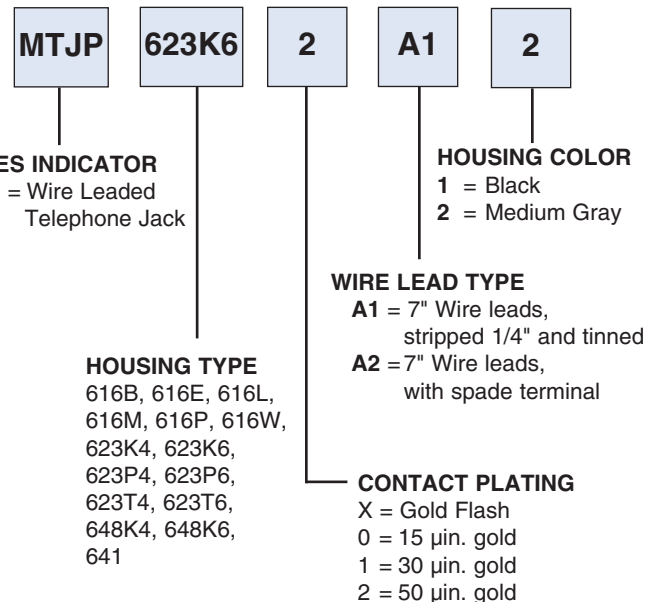
Anti-ESD plastic bags

**APPROVALS AND CERTIFICATIONS:**

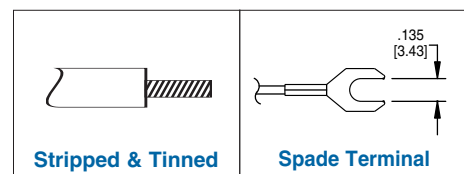
UL Recognized E224049



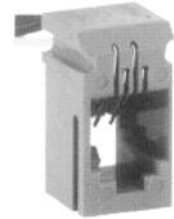
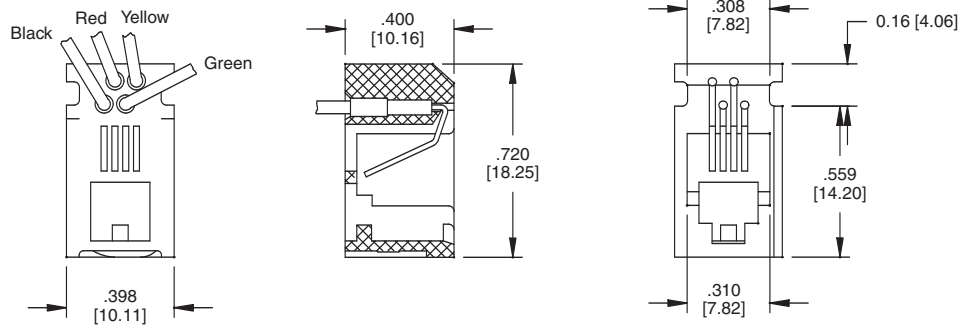
**ORDERING INFORMATION  
 WIRE LEADED JACKS**



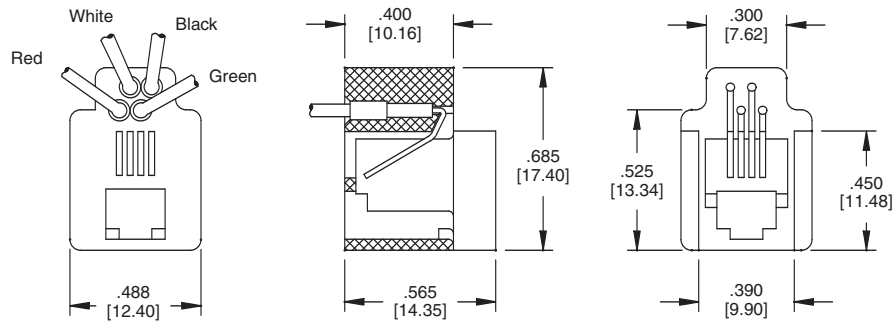
Wire Lead Options



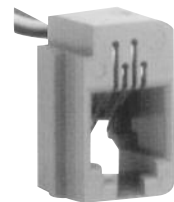
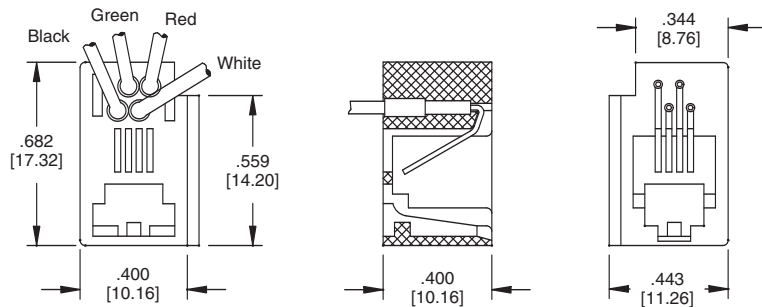
**MTJP-616L**



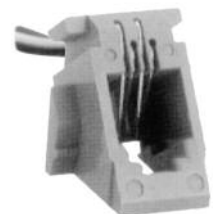
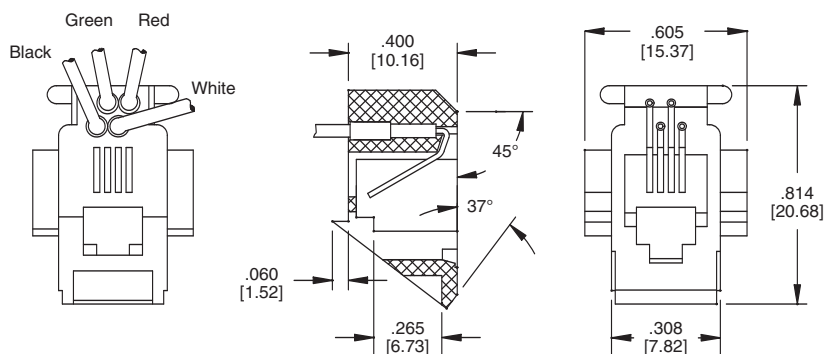
**MTJP-616M**



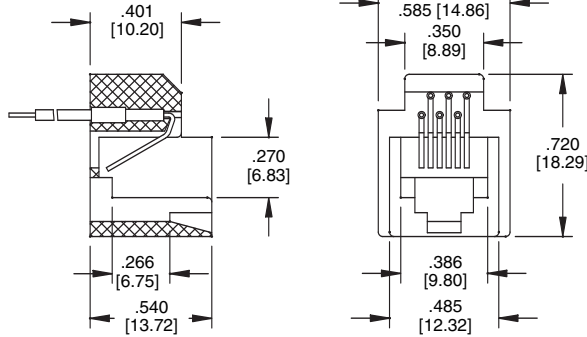
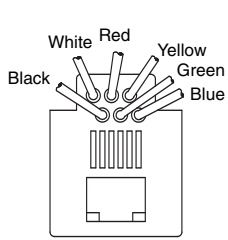
**MTJP-616E**



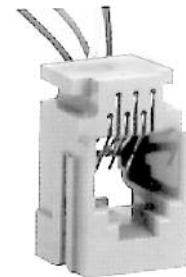
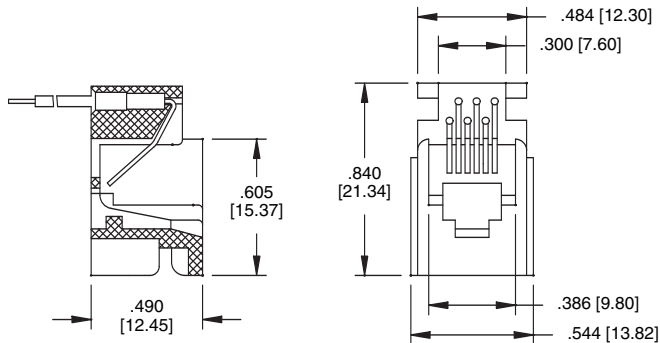
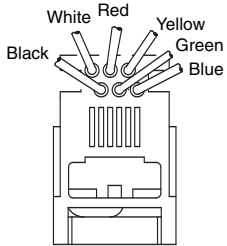
**MTJP-616W**



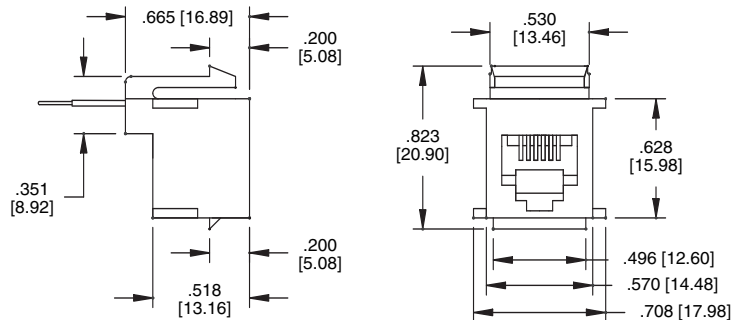
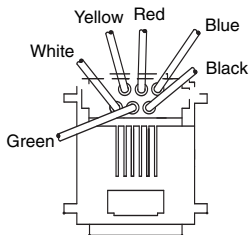
**MTJP-623K4**  
**MTJP-623K6**



**MTJP-623P4**  
**MTJP-623P6**



**MTJP-648K4**  
**MTJP-648K6**



**MTJP-641**  
**MTJP-641**

