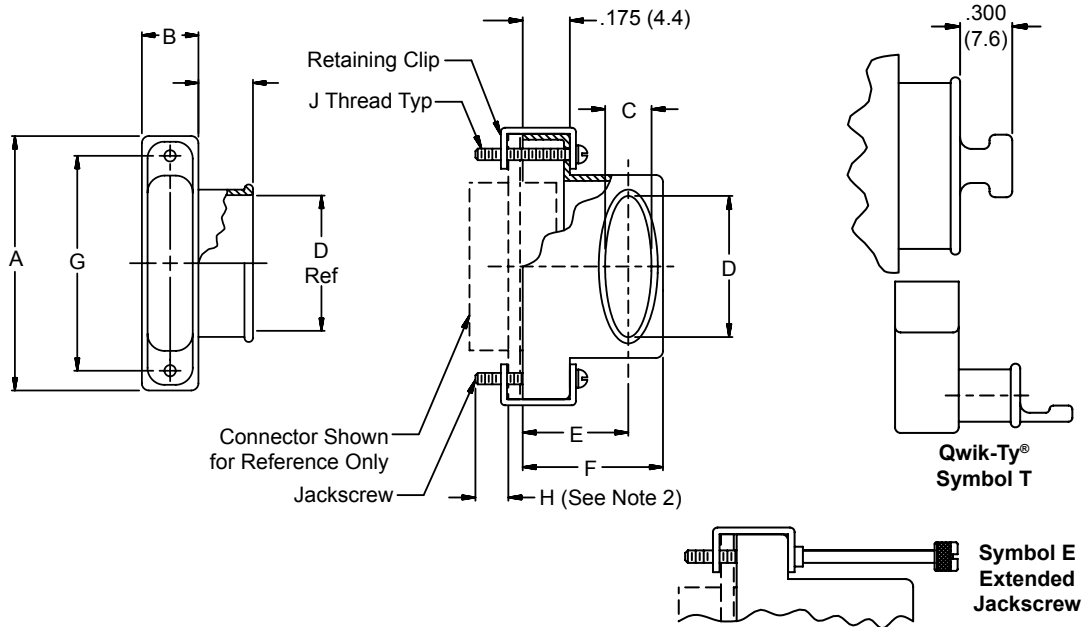




507S177
EMI/RFI Micro-D Banding Backshell
with Elliptical Banding Porch and Optional Qwik-Ty®



HOW TO ORDER							
Product Series Number	Cable Entry Style	Basic Number	Finish Symbol (Table II)	Shell Size (Table I)	Jackscrew Option*	Banding	Qwik-Ty® Option
507	S – Side Entry	177		09	B – 2 Male Fillister Heads	B – Band Supplied (600-052) Omit for No Band Supplied	T – Qwik-Ty® Supplied Omit for No Qwik-Ty®
				15	H – 2 Male Hex Sockets		
				21	E – 2 Male Extended		
				25	EH – 2 Male Extended and 1 Hex Socket		
				31			
				37			
				51			
100							
Sample Part Number:							
507	S	177	M	21	H	B	T
* SEE PAGE C-4 FOR COMPLETE INFORMATION							

NOTES:

1. Metric dimensions (mm) are indicated in parentheses.
2. Special screw length, not to be used with Standard Jackpost.

507S177
EMI/RFI Micro-D Banding Backshell
with Elliptical Banding Porch and Optional Qwik-Ty®



MIL-DTL-83513
Micro-D

TABLE I: SHELL SIZE, CABLE ENTRY, BACKSHELL & CONNECTOR INTERFACE DIMENSIONS

Shell Size	A Dim	B Dim	C Dia	D Dia	E Dim	F Dim	G Dim	H (See Note 2)	J Thread
09	.775 (19.7)	.340 (8.6)	.281 (7.1)	.312 (7.9)	.435 (11.0)	.607 (15.4)	.565 (14.4)	.218 (5.5)	2-56 UNC-2A
15	.925 (23.5)	.340 (8.6)	.281 (7.1)	.420 (10.7)	.440 (11.2)	.643 (16.3)	.715 (18.2)	.218 (5.5)	2-56 UNC-2A
21	1.075 (27.3)	.340 (8.6)	.281 (7.1)	.590 (15.0)	.450 (11.4)	.677 (17.2)	.865 (22.0)	.218 (5.5)	2-56 UNC-2A
25	1.175 (29.4)	.340 (8.6)	.281 (7.1)	.690 (17.5)	.483 (12.3)	.718 (18.2)	.965 (24.5)	.218 (5.5)	2-56 UNC-2A
31	1.325 (33.7)	.340 (8.6)	.281 (7.1)	.820 (20.8)	.476 (12.1)	.726 (18.4)	1.115 (28.3)	.218 (5.5)	2-56 UNC-2A
37	1.475 (37.5)	.340 (8.6)	.281 (7.1)	.970 (24.6)	.478 (12.1)	.744 (18.9)	1.265 (32.1)	.218 (5.5)	2-56 UNC-2A
51	1.425 (36.2)	.380 (9.7)	.312 (7.9)	.920 (23.4)	.540 (13.7)	.829 (21.1)	1.215 (30.9)	.218 (5.5)	2-56 UNC-2A
100	2.160 (54.9)	.430 (10.9)	.360 (9.1)	1.290 (32.8)	.687 (17.4)	.984 (25.0)	1.800 (45.7)	.218 (5.5)	4-40 UNC-2A

**TABLE III:
FINISH OPTIONS**

Symbol	Finish
B	Cadmium Plate/Olive Drab
C*	Black Anodize
G*	Anodic Hard Coat
J	Gold Iridite over Cadmium Plate over Electroless Nickel
LF	Cadmium Plate/Bright over Electroless Nickel
M	Electroless Nickel
N	Cadmium Plate/Olive Drab over Electroless Nickel
NC	Zinc Cobalt/Dark Olive Drab
NF	Cadmium Plate/Olive Drab over Electroless Nickel
T	Cadmium Plate/Bright over Electroless Nickel
U**	Cadmium Plate/Black
ZN	Zinc-Nickel Alloy/Olive Drab

*Anodize finish is not suitable for EMI shielding or grounding applications.
**Applicable to corrosion resisting steel backshells and accessories. Consult factory for other available finishes.

NOTES:

1. Metric dimensions (mm) are indicated in parentheses.
2. Special screw length, not to be used with Standard Jackpost.