

EPI KSP45L & EPI KSP45L-LF Series

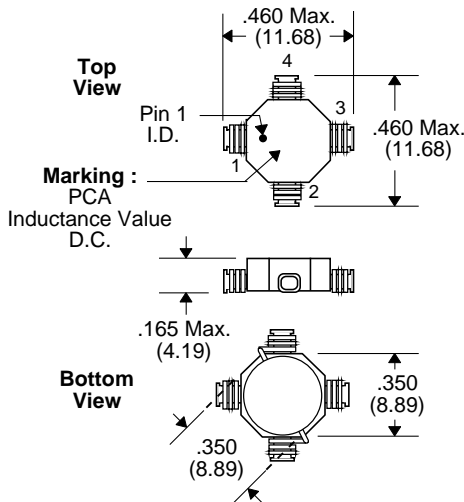


- Low loss material ensures operation in high frequency switching converters, such as Buck, Boost or as output averaging filter inductor
- Also suitable for use in high quality filter applications and as a Coupled Inductor
- Low cost Robust construction to withstand most SMT processes
- Add “-LF” after part number for Lead-Free

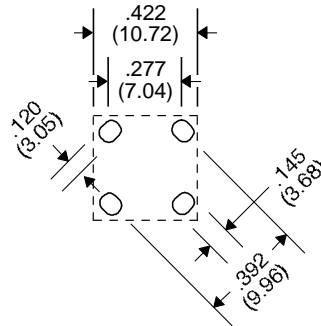
Primary Specification

Part Number	Connection	Inductance ($\mu\text{H} \pm 20\%$) @ 0 Adc	Inductance ($\mu\text{H Min.}$) @ Idc	DCR (Max.)	I dc (Amps)
EPI0L3552KSP45L(-LF)	Series	1.6	1.2	.024	2.75
	Parallel	.40	0.3	.006	5.5
EPI0L4512KSP45L(-LF)	Series	2.4	1.6	.028	2.55
	Parallel	.60	0.4	.007	5.1
EPI0L7452KSP45L(-LF)	Series	4.4	2.8	.032	2.25
	Parallel	1.1	0.7	.008	4.5
EPI1L3342KSP45L(-LF)	Series	8.0	5.2	.056	1.7
	Parallel	2.0	1.3	.014	3.4
EPI3L3202KSP45L(-LF)	Series	19.2	13.2	.164	1.0
	Parallel	4.8	3.3	.041	2.0
EPI5L3182KSP45L(-LF)	Series	32.4	21.2	.208	0.90
	Parallel	8.1	5.3	.052	1.8
EPI6L2172KSP45L(-LF)	Series	38.4	24.8	.228	0.85
	Parallel	9.6	6.2	.057	1.7
EPI9L6142KSP45L(-LF)	Series	60	38.4	.348	0.70
	Parallel	15.0	9.6	.087	1.4
EPI140102KSP45L(-LF)	Series	82	56.0	.636	0.50
	Parallel	20.5	14.0	.159	1.0

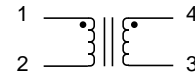
Package KSP45L(-LF)



Recommended Layout



Schematic



- Notes :**
1. Temperature Rise : 40°C Max. @ Idc
 2. Inductance Change at Idc : 40% Max.

Notes :	EPIXXXXXKSP45L	EPIXXXXXKSP45L-LF
1. Lead Finish	SnPb	Hot Tin Dip (Sn)
2. Peak Solder Rating (for wave solder process Only)	225°C	250°C
4. Weight	0.7 grams	0.7 grams
5. Packaging Information (Tube)	TBD pcs / tube	TBD pcs / tube

Unless Otherwise Specified Dimensions are in Inches /mm $\pm .010 / .25$

EPI KSP45L & EPI KSP45L-LF Series

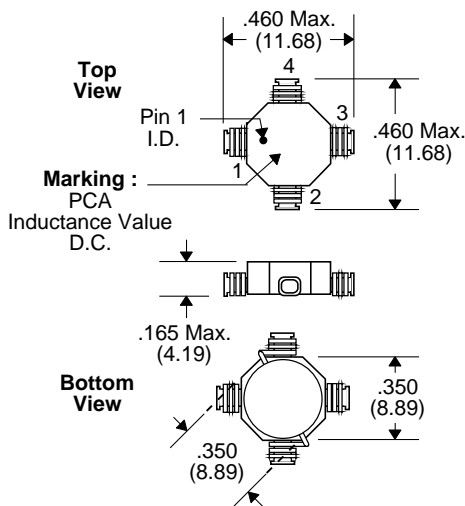


- Low loss material ensures operation in high frequency switching converters, such as Buck, Boost or as output averaging filter inductor
- Also suitable for use in high quality filter applications and as a Coupled Inductor
- Low cost Robust construction to withstand most SMT processes
- Add “-LF” after part number for Lead-Free

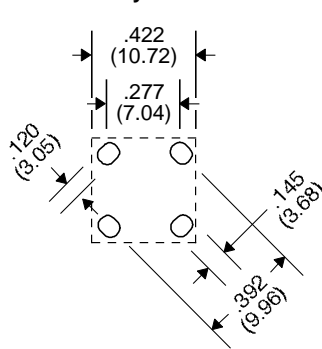
Primary Specification

Part Number	Connection	Inductance ($\mu\text{H} \pm 20\%$) @ 0 Adc	Inductance ($\mu\text{H Min.}$) @ Idc	DCR (Max.)	I dc (Amps)
EPI170961KSP45L(-LF)	Series	102	68	.708	0.48
EPI220801KSP45L(-LF)	Parallel	25.4	17	.177	0.96
EPI220801KSP45L(-LF)	Series	129	88	1.004	0.40
EPI330701KSP45L(-LF)	Parallel	32.3	22	.251	0.80
EPI330701KSP45L(-LF)	Series	202	132	1.264	0.35
EPI430661KSP45L(-LF)	Parallel	50.5	33	.316	0.70
EPI430661KSP45L(-LF)	Series	274	172	1.492	0.33
EPI630541KSP45L(-LF)	Parallel	68.4	43	.373	0.66
EPI630541KSP45L(-LF)	Series	396	252	2.228	0.27
EPI960441KSP45L(-LF)	Parallel	99.0	63	.557	0.54
EPI960441KSP45L(-LF)	Series	603	384	3.376	0.22
EPI131361KSP45L(-LF)	Parallel	150.7	96	.844	0.44
EPI131361KSP45L(-LF)	Series	794	520	4.832	0.18
EPI191321KSP45L(-LF)	Parallel	198.4	130	1.028	0.36
EPI191321KSP45L(-LF)	Series	1200	760	6.100	0.16
EPI191321KSP45L(-LF)	Parallel	300	190	1.525	0.32

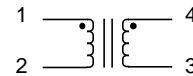
Package KSP45L(-LF)



Recommended Layout



Schematic



- Notes :**
1. Temperature Rise : 40°C Max. @ Idc
 2. Inductance Change at Idc : 40% Max.

Notes :	EPIXXXXXXKSP45L	EPIXXXXXXKSP45L-LF
1. Lead Finish	SnPb	Hot Tin Dip (Sn)
2. Peak Solder Rating (for wave solder process Only)	225°C	250°C
4. Weight	0.7 grams	0.7 grams
5. Packaging Information (Tube)	TBD pcs / tube	TBD pcs / tube

Unless Otherwise Specified Dimensions are in Inches /mm $\pm .010 / .25$