

TURBO 2 ULTRAFAST HIGH VOLTAGE RECTIFIER

Table 1: Main Product Characteristics

$I_{F(AV)}$	Up to 2 x 20 A
V_{RRM}	600 V
T_j	175°C
V_F (typ)	0.95 V
t_{rr} (max)	55 ns

FEATURES AND BENEFITS

- Ultrafast switching
- Low reverse current
- Low thermal resistance
- Reduces switching & conduction losses

DESCRIPTION

The STTH30L06, which is using ST Turbo 2 600V technology, is specially suited for use in switching power supplies, and industrial applications, as rectification and discontinuous mode PFC boost diode.

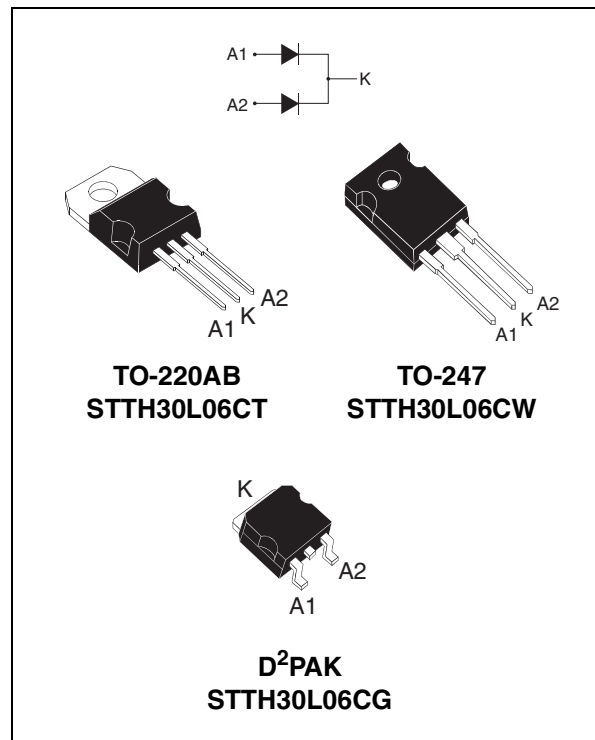


Table 2: Order Codes

Part Number	Marking
STTH30L06CT	STTH30L06CT
STTH30L06CW	STTH30L06CW

Part Number	Marking
STTH30L06CG	STTH30L06CG
STTH30L06GG-TR	STTH30L06CG

Table 3: Absolute Ratings (limiting values, per diode)

Symbol	Parameter		Value	Unit	
V_{RRM}	Repetitive peak reverse voltage		600	V	
$I_{F(RMS)}$	RMS forward voltage		30	A	
$I_{F(AV)}$	Average forward current $\delta = 0.5$	$T_c = 140^\circ\text{C}$	Per diode	15	A
		$T_c = 125^\circ\text{C}$	Per device	30	
		$T_c = 120^\circ\text{C}$	Per diode	20	
		$T_c = 110^\circ\text{C}$	Per device	40	
I_{FSM}	Surge non repetitive forward current	$t_p = 10\text{ms}$ sinusoidal	130	A	
T_{stg}	Storage temperature range		-65 to + 175	°C	
T_j	Maximum operating junction temperature		175	°C	

Table 4: Thermal Resistance

Symbol	Parameter		Value (max).	Unit
R _{th(j-c)}	Junction to case	Per diode	1.7	°C/W
		Total	1.15	
R _{th(c)}	Coupling		0.6	°C/W

When the diodes 1 and 2 are used simultaneously:
 $\Delta T_j(\text{diode } 1) = P(\text{diode } 1) \times R_{th(j-c)}(\text{Per diode}) + P(\text{diode } 2) \times R_{th(c)}$

Table 5: Static Electrical Characteristics (per diode)

Symbol	Parameter	Test conditions		Min.	Typ	Max.	Unit
I _R *	Reverse leakage current	T _j = 25°C	V _R = V _{RRM}			15	µA
		T _j = 150°C			40	400	
V _F **	Forward voltage drop	T _j = 25°C	I _F = 15A			1.55	V
		T _j = 150°C			0.95	1.2	
		T _j = 25°C	I _F = 30A			1.76	
		T _j = 150°C			1.15	1.45	

Pulse test: * tp = 5 ms, δ < 2%
 ** tp = 380 µs, δ < 2%

To evaluate the conduction losses use the following equation: $P = 0.94 \times I_{F(AV)} + 0.017 I_F^2(\text{RMS})$

Table 6: Dynamic Characteristics (per diode)

Symbol	Parameter	Test conditions		Min.	Typ	Max.	Unit
t _{rr}	Reverse recovery time	T _j = 25°C	I _F = 0.5A I _{rr} = 0.25A I _R = 1A			55	ns
			I _F = 1A dI _F /dt = 50 A/µs V _R = 30V		60	85	
I _{RM}	Reverse recovery current	T _j = 125°C	I _F = 15A V _R = 400V dI _F /dt = 100 A/µs		8.5	12	A
t _{fr}	Forward recovery time	T _j = 25°C	I _F = 15A dI _F /dt = 100 A/µs V _{FR} = 1.1 x V _{Fmax}			300	ns
V _{FP}	Forward recovery voltage	T _j = 25°C	I _F = 15A dI _F /dt = 100 A/µs V _{FR} = 1.1 x V _{Fmax}		3.0		V

Figure 1: Conduction losses versus average forward current (per diode)

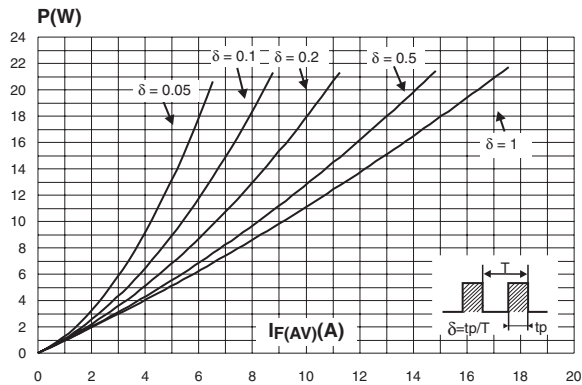


Figure 2: Forward voltage drop versus forward current (per diode)

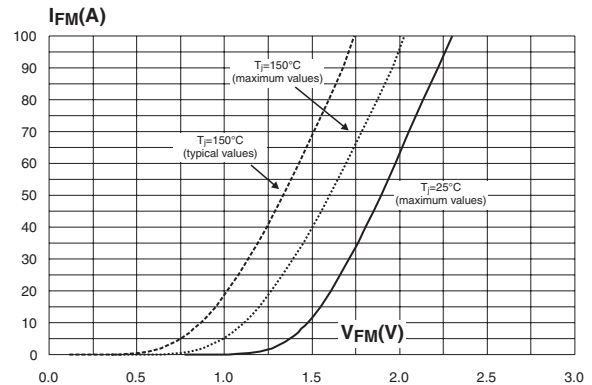


Figure 3: Relative variation of thermal impedance junction to case versus pulse duration

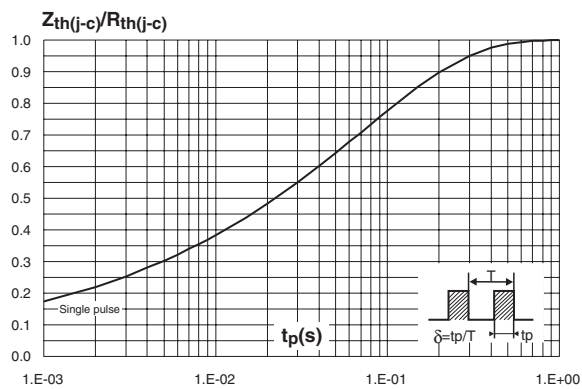


Figure 4: Peak reverse recovery current versus di_F/dt (typical values, per diode)

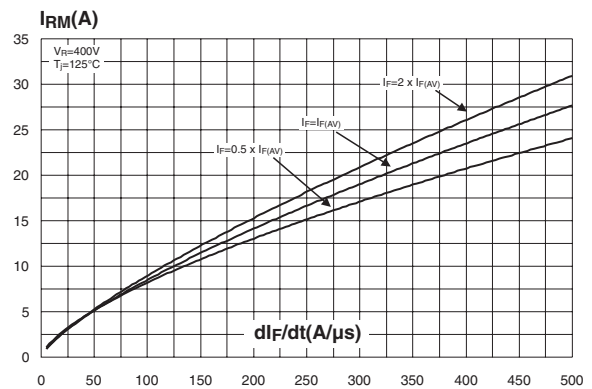


Figure 5: Reverse recovery time versus di_F/dt (typical values, per diode)

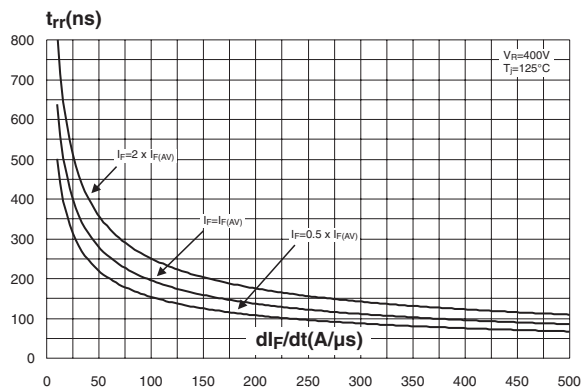


Figure 6: Reverse recovery charges versus di_F/dt (typical values, per diode)

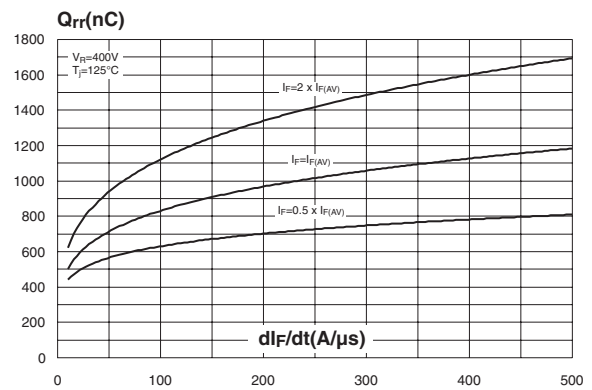


Figure 7: Reverse recovery softness factor versus di_F/dt (typical values, per diode)

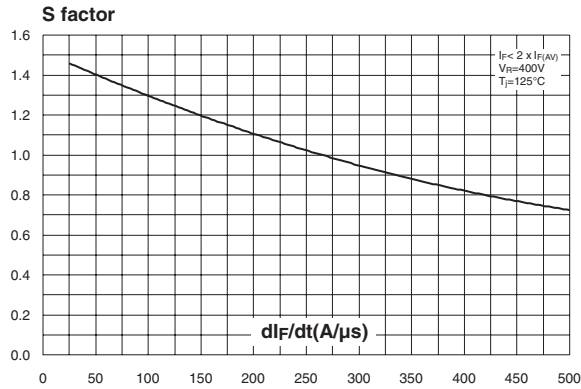


Figure 8: Relative variations of dynamic parameters versus junction temperature

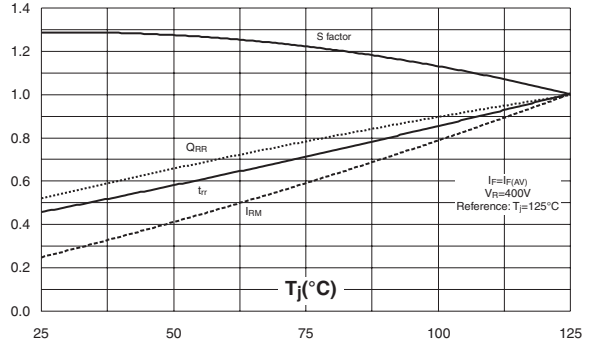


Figure 9: Transient peak forward voltage versus di_F/dt (typical values, per diode)

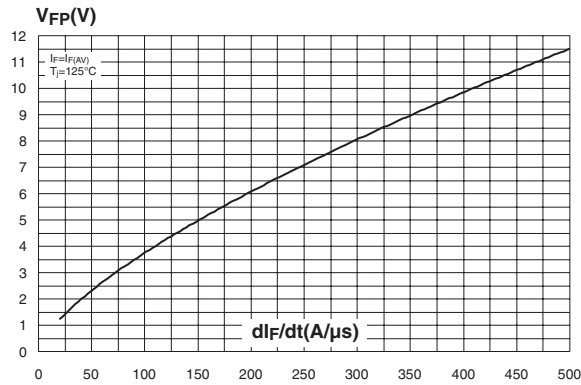


Figure 10: Forward recovery time versus di_F/dt (typical values, per diode)

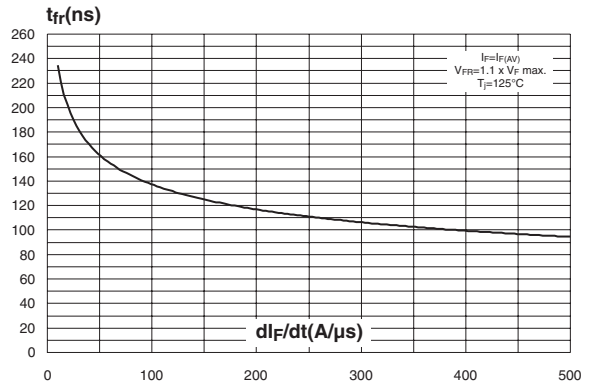


Figure 11: Junction capacitance versus reverse voltage applied (typical values, per diode)

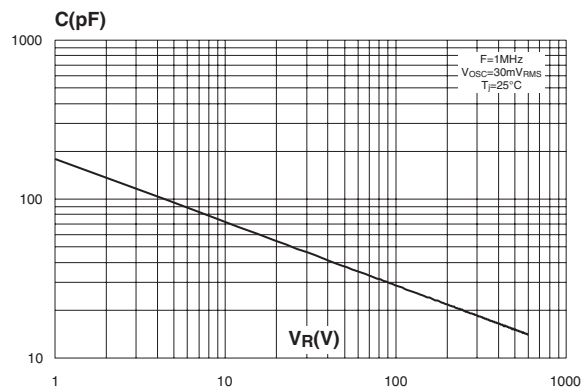


Figure 12: Thermal resistance junction to ambient versus copper surface under tab (epoxy FR4, eCu=35μm) (D²PAK)

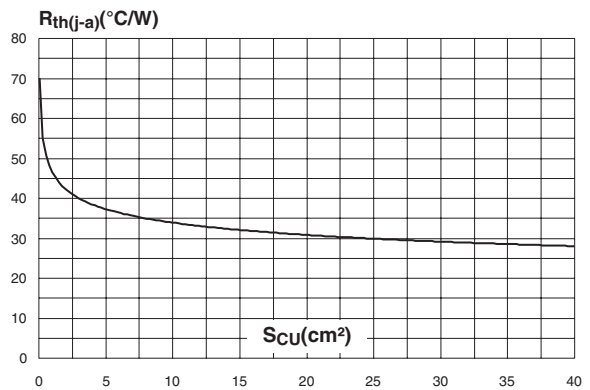


Figure 13: TO-247 Package Mechanical Data

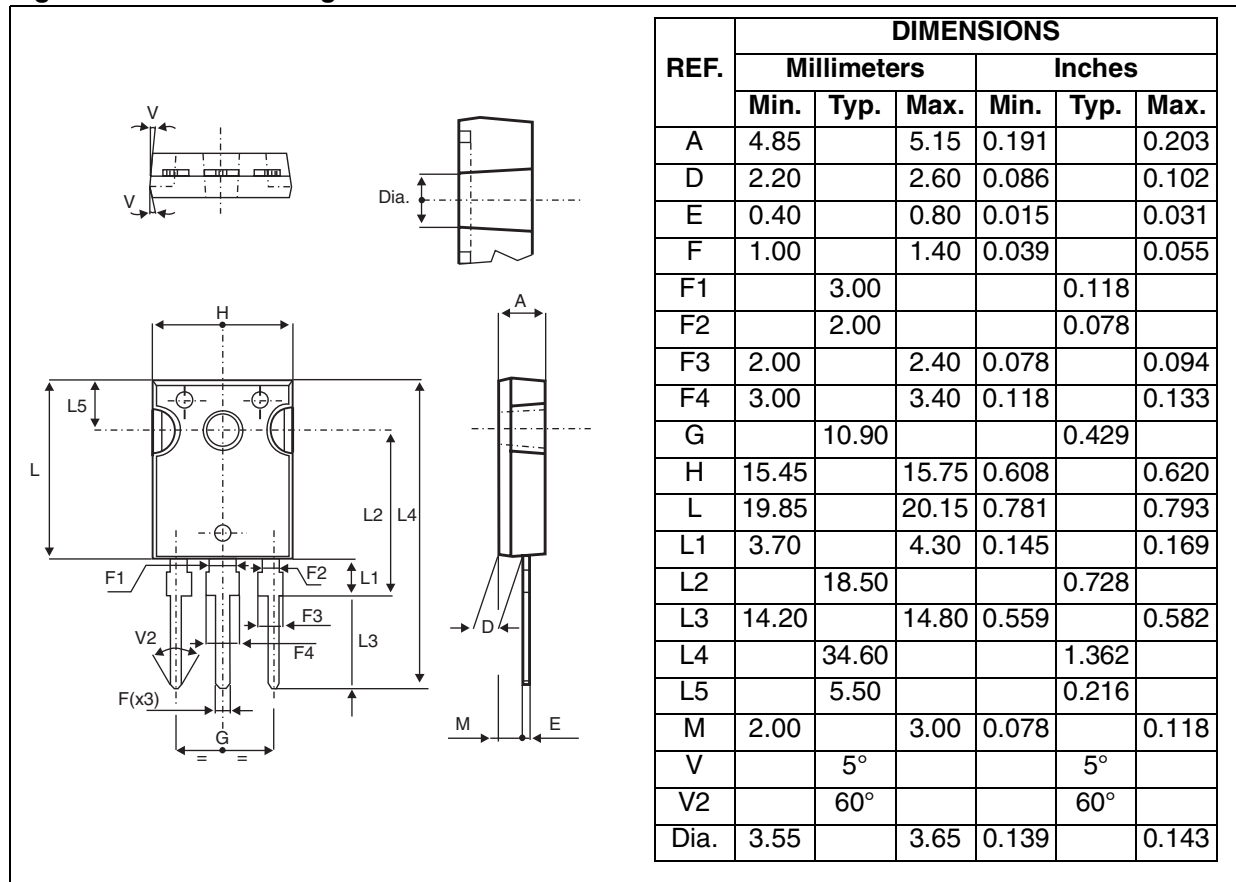


Figure 14: D²PAK Package Mechanical Data

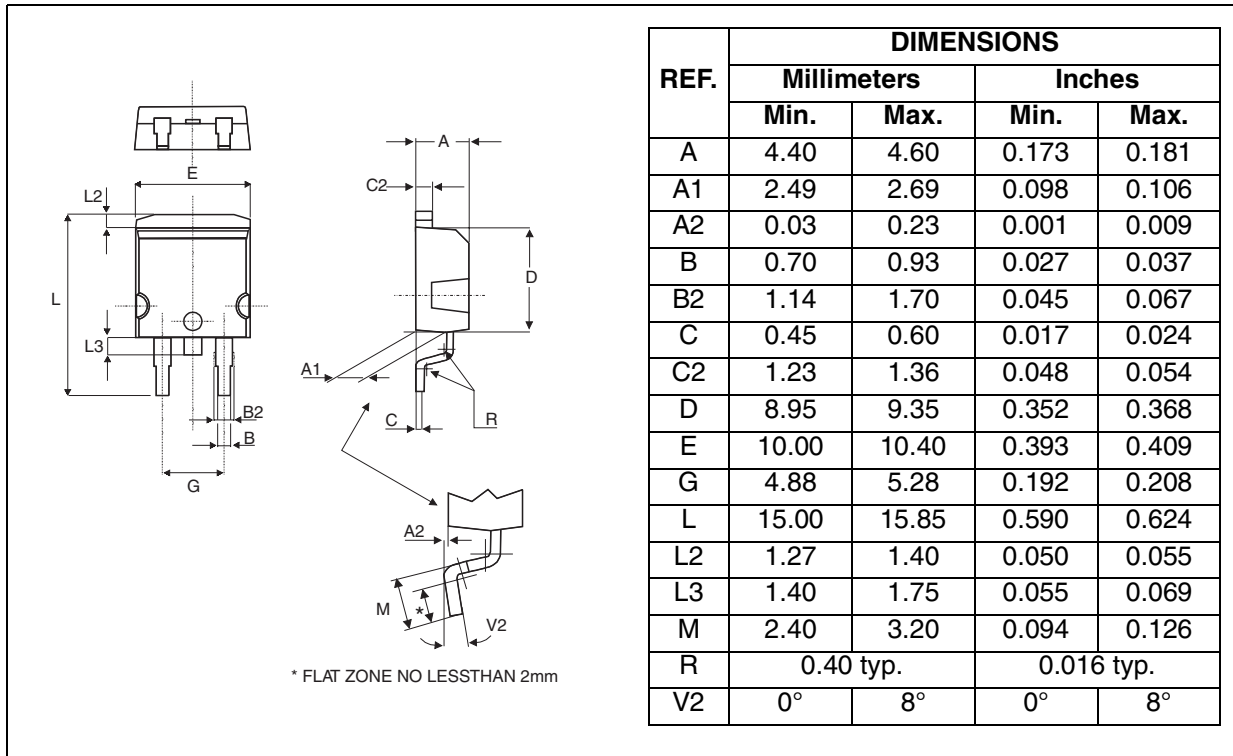


Figure 15: D²PAK Foot Print Dimensions (in millimeters)

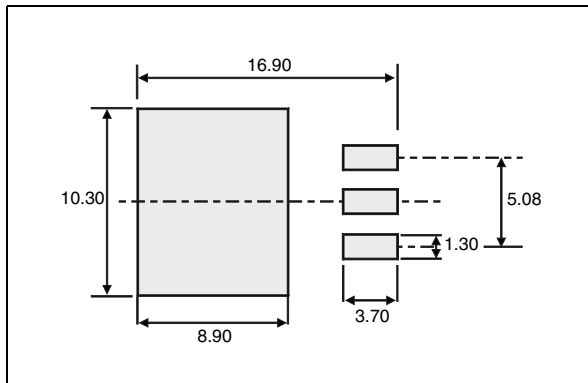


Figure 16: TO-220AB Package Mechanical Data

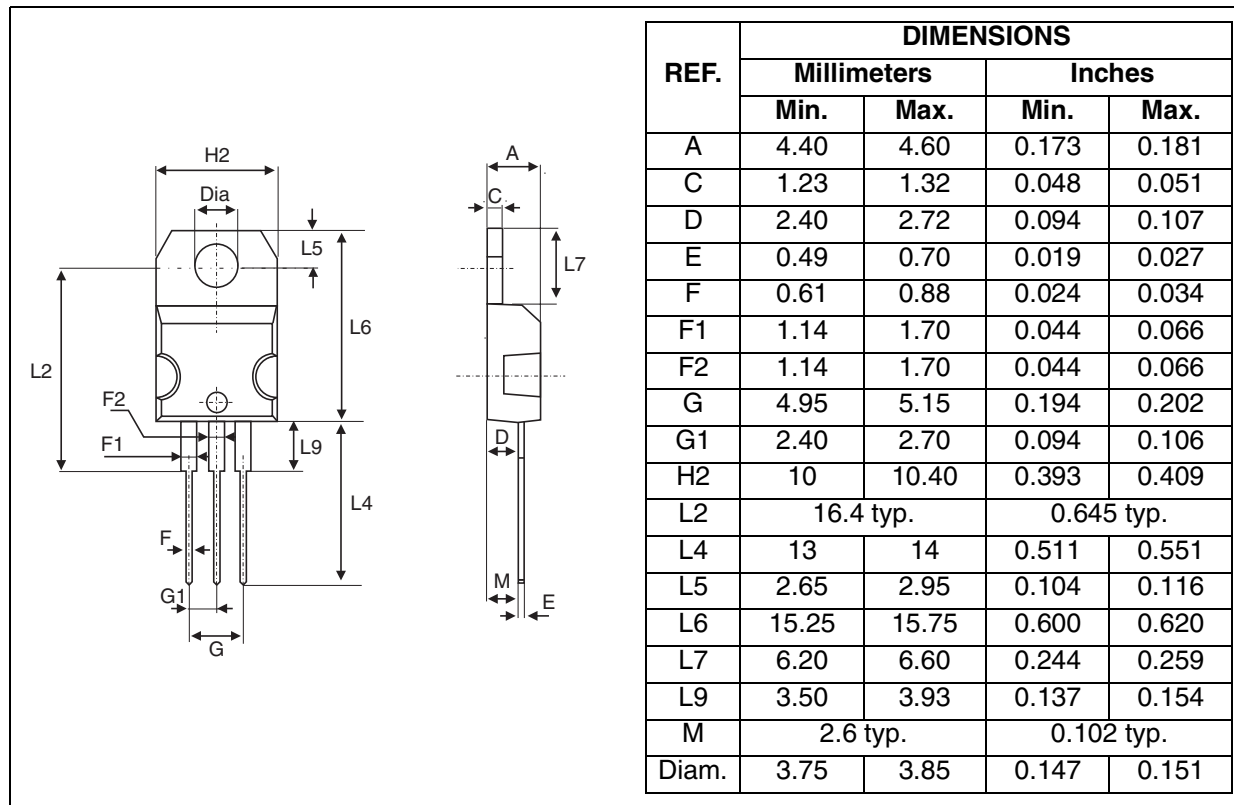


Table 7: Ordering Information

Ordering type	Marking	Package	Weight	Base qty	Delivery mode
STTH30L06CT	STTH30L06CT	TO-220AB	2.23 g	50	Tube
STTH30L06CG	STTH30L06CG	D ² PAK	1.48 g	50	Tube
STTH30L06CG-TR	STTH30L06CG	D ² PAK	1.48 g	1000	Tape & eel
STTH30L06CW	STTH30L06CW	TO-247	4.46 g	50	Tube

- Epoxy meets UL94, V0
- Cooling method: by conduction (C)
- Recommended torque value: 0.8 m.N. (TO-220FPAC) / 0.55 m.N. (TO-220AB)
- Maximum torque value: 1.0 m.N. (TO-220FPAC) / 0.70 m.N. (TO-220AB)

Table 8: Revision History

Date	Revision	Description of Changes
07-Sep-2004	1	First issue

Information furnished is believed to be accurate and reliable. However, STMicroelectronics assumes no responsibility for the consequences of use of such information nor for any infringement of patents or other rights of third parties which may result from its use. No license is granted by implication or otherwise under any patent or patent rights of STMicroelectronics. Specifications mentioned in this publication are subject to change without notice. This publication supersedes and replaces all information previously supplied. STMicroelectronics products are not authorized for use as critical components in life support devices or systems without express written approval of STMicroelectronics.

The ST logo is a registered trademark of STMicroelectronics.
All other names are the property of their respective owners

© 2004 STMicroelectronics - All rights reserved

STMicroelectronics group of companies

Australia - Belgium - Brazil - Canada - China - Czech Republic - Finland - France - Germany - Hong Kong - India - Israel - Italy - Japan -
Malaysia - Malta - Morocco - Singapore - Spain - Sweden - Switzerland - United Kingdom - United States of America

www.st.com