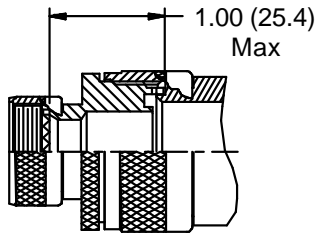
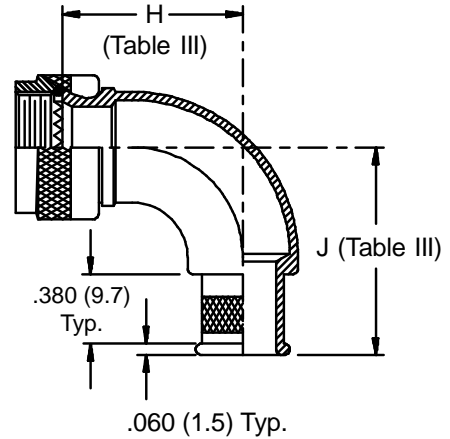
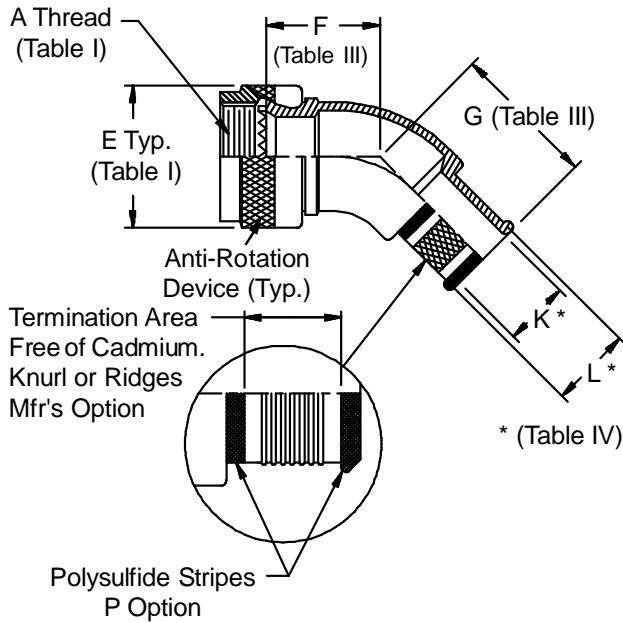
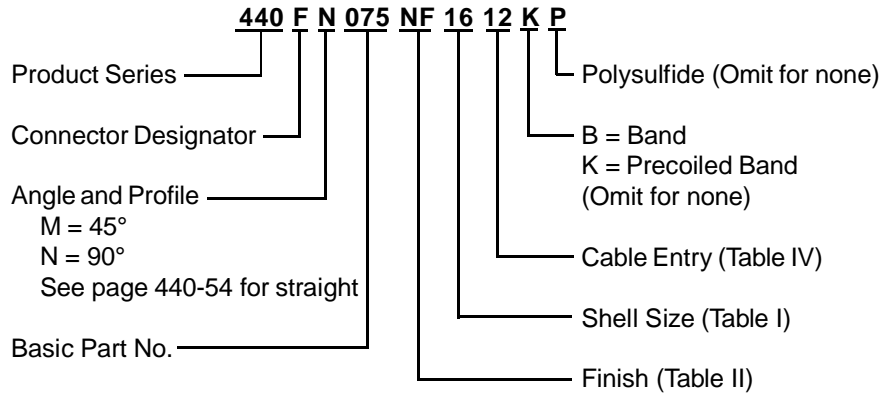
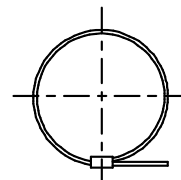


**CONNECTOR
DESIGNATORS
A-F-H-L-S
SELF-LOCKING
ROTATABLE
COUPLING**



**STYLE 2
(See Note 1)**



Band Option
(K Option Shown -
See Note 3)

See inside back cover fold-out or pages 13 and 14 for Tables I and II.

TABLE III: ELBOW DIMENSIONS						
Shell Size		F		G	H	J
Conn. Desig.	H	Max	Max	Max	Max	Max
A-F-L-S						
08	09	.968 (24.6)	.807 (20.5)	1.281 (32.5)	1.125 (28.6)	
10	11	1.031 (26.2)	.861 (21.9)	1.406 (35.7)	1.250 (31.8)	
12	13	1.094 (27.8)	.911 (23.1)	1.531 (38.9)	1.375 (34.9)	
14	15	1.156 (29.4)	.965 (24.5)	1.656 (42.1)	1.500 (38.1)	
16	17	1.219 (31.0)	1.014 (25.8)	1.781 (45.2)	1.625 (41.3)	
18	19	1.250 (31.8)	1.064 (27.0)	1.906 (48.4)	1.750 (44.5)	
20	21	1.312 (33.3)	1.118 (28.4)	2.031 (51.6)	1.875 (47.6)	
22	23	1.344 (34.1)	1.172 (29.8)	2.156 (54.8)	2.000 (50.8)	
24	25	1.406 (35.7)	1.221 (31.0)	2.281 (57.9)	2.125 (54.0)	

TABLE IV: CABLE ENTRY				
Dash No.	K Dia	L Dia		
02	.125 (3.2)	.250 (6.4)		
03	.188 (4.8)	.312 (7.9)		
04	.250 (6.4)	.375 (9.5)		
05	.312 (7.9)	.438 (11.1)		
06	.375 (9.5)	.500 (12.7)		
07	.438 (11.1)	.562 (14.3)		
08	.500 (12.7)	.625 (15.9)		
09	.562 (14.3)	.688 (17.5)		
10	.625 (15.9)	.750 (19.1)		
11	.688 (17.5)	.812 (20.6)		
12	.750 (19.1)	.875 (22.2)		
13	.812 (20.6)	.938 (23.8)		
14	.875 (22.2)	1.000 (25.4)		
15	.938 (23.8)	1.062 (27.0)		
16	1.000 (25.4)	1.125 (28.6)		
17	1.062 (27.0)	1.188 (30.2)		
18	1.125 (28.6)	1.250 (31.8)		
20	1.250 (31.8)	1.375 (34.9)		
22	1.375 (34.9)	1.500 (38.1)		
24	1.500 (38.1)	1.625 (41.3)		

1. When maximum cable entry (page 21) is exceeded, Style 2 will be supplied. Dimensions F, G, H and J will not apply. Please consult factory.
2. Metric dimensions (mm) are indicated in parentheses.
3. Backshells supplied with 600-052-* band, see Glenair Series 600 Tool Catalog for installation.