

## 805 Series Cordsets For Harsh Environments



**Series 805 Overmolded  
Cordset**

**Glenair's ASAP "Mighty Mouse" overmolded cordsets** offer watertight sealing and excellent cold temperature flexibility. These cables are 100% tested and ready to use. Standard overmolded cables feature polyurethane jackets or rubber jackets with flexible strain reliefs.

### Simplified Ordering, No Minimums

ASAP cordsets are made-to-order from stocked connectors and cable. Choose #22 or #24 AWG cable with standard Estane jacket for best availability.

**Two Jacket Types** Extruded Estane polyurethane jacket resists abrasion, provides excellent flexibility. Withstands continuous exposure to weather and solvents. Or, choose low smoke/ zero halogen jacket for installation where combustion toxicity is a concern. Both jackets are UL 94 V-0.

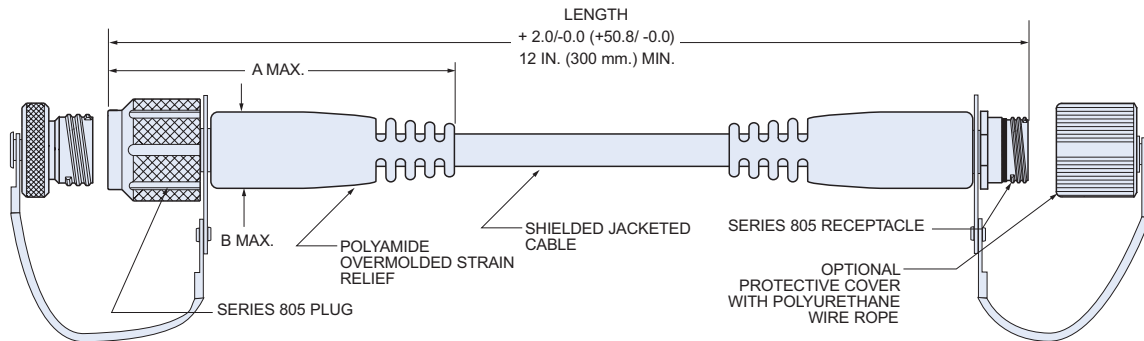
**Shielded** 90% braid coverage and **BAND-IT**® shield termination meet EMI requirements.

### HOW TO ORDER

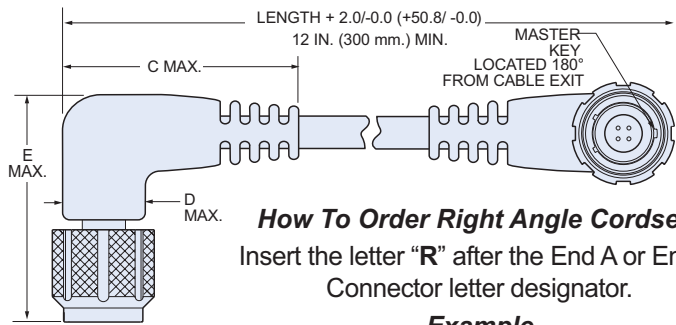
#### Sample Part Number

805-008	-A	C	4	NF	18-55	P	A	-72				
Series	End A Connector	End B Connector	Wire Size	Shell Material / Finish	Insert Arr.	Protective Cover	Shell Key Pos.	Length				
<b>805-008</b> Overmolded Cordset, Shielded, with Polyurethane Cable Jacket	<b>-A</b> Plug, with Male Pin Contacts	<b>A</b> Plug, with Male Pin Contacts	<b>2</b> #22 AWG (Std.)	<b>C</b> Aluminum / Black Anodize	<b>8-4</b> 4 #23 <b>8-7</b> 7 #23 <b>9-10</b> 10 #23	<b>P</b> Metal Protective Covers Included	<b>A</b> Position A (Normal)	Overall Length In Inches				
	<b>-B</b> Plug, with Female Socket Contacts	<b>B</b> Plug, with Female Socket Contacts	<b>4</b> #24 AWG (Std.)	<b>M</b> Aluminum / Electroless Nickel	<b>10-13</b> 13 #23 <b>11-19</b> 19 #23 <b>12-26</b> 26 #23				<b>N</b> No Covers Supplied	<b>B</b> Position B	12 Inch Min.	
	<b>-C</b> Receptacle, with Male Pin Contacts	<b>C</b> Receptacle, with Male Pin Contacts	<b>6</b> #26 AWG	<b>NF</b> Aluminum / Cadmium with Olive Drab Chromate	<b>15-37</b> 37 #23 <b>18-55</b> 55 #23 <b>19-85</b> 85 #23							<b>C</b> Position C
	<b>-D</b> Receptacle, with Female Socket Contacts	<b>D</b> Receptacle, with Female Socket Contacts	<b>8</b> #28 AWG	<b>ZN</b> Aluminum / Zinc-Nickel with Olive Drab Chromate	<b>D</b> Position D							
	<b>N</b> No Connector (Single-Ended)		<b>ZNU</b> Aluminum / Zinc-Nickel with Black Chromate									
			<b>Z1</b> Stainless Steel / Passivated									

## 805 Series Cordsets For Harsh Environments



### RIGHT ANGLE CORDSETS



#### How To Order Right Angle Cordsets

Insert the letter "R" after the End A or End B Connector letter designator.

#### Example

Straight cable 805-008-AC4NF18-55PA-72  
Right Angle 805-008-ARCR4NF18-55PA-72

### DIMENSIONS

Shell Size	A Max.		B Max.		C Max.		D Max.		E Max.	
	In.	mm.	In.	mm.	In.	mm.	In.	mm.	In.	mm.
8	2.500	63.50	.560	14.22	1.500	38.10	.560	14.22	1.650	41.91
9	2.500	63.50	.680	17.27	1.700	43.18	.680	17.27	1.700	43.18
10	2.500	63.50	.740	18.80	1.750	44.45	.740	18.80	1.750	44.45
11	2.500	63.50	.810	20.57	1.750	44.45	.810	20.57	1.750	44.45
12	2.750	69.85	.870	22.10	1.750	44.45	.870	22.10	1.750	44.45
15	3.000	76.20	.930	23.62	1.750	44.45	.930	23.62	1.750	44.45
18	3.500	88.90	1.120	28.45	1.750	44.45	1.120	28.45	1.750	44.45
19	3.750	95.25	1.180	29.97	2.000	50.80	1.180	29.97	2.000	50.80

### SERIES 805 HARSH ENVIRONMENT CORDSET SPECIFICATIONS

Cable Jacket Material	Thermoplastic Polyurethane, Black, UL 94 V-0 Rated
Cable Shield	Tin-Coated Copper Braid, 90% Minimum Coverage
Conductors	Silver Coated Stranded Wire, TFE Insulated, Per M22759/11
<b>BAND-IT®</b> Shield Termination Band	Stainless Steel
Current Rating	Up to 5 AMP Continuous Duty With #22 AWG Wire
Test Voltage (Dielectric Withstanding Voltage)	500 VAC RMS sea level, 100 VAC RMS 70,000 feet
Insulation Resistance	200 megohms minimum
Operating Temperature	-30° C. to +105° C.
Immersion	1 meter water immersion for 1 Hour per MIL-STD-810 Method 512 (IP68)
Solvent Resistance, Polyamide Overmold	Excellent Resistance to Most Solvents, Fuels, and Oils; Poor Resistance to Strong Acids and Bipolar Solvents (Alcohol)
Electrical Resistance	(8 Milliohms Mated Contacts) + (Wire Resistance)
Shielding Effectiveness	50 dB minimum from 100MHz to 1000MHz.
Jacket Flammability and Toxicity	Toxicity Index 3.9 per NES 713 Oxygen Index 28% per ASTM D-2863 Smoke Index 24 per NES 711 UL 94 V-0