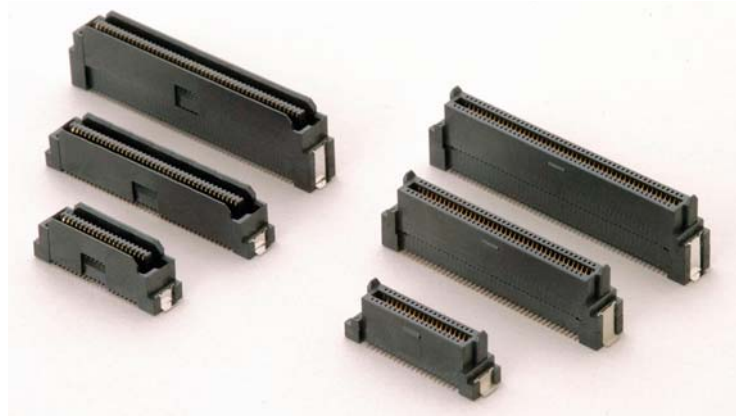


0.8mm Pitch Stacking Connectors

DFJ Series



OUTLINE

DFJ series is a 0.8mm fine contact pitch board to board stacking (Parallel Connection) connectors.

FEATURE

- Stacking height is available from 9 different heights(10, 13, 14, 15, 16, 17, 18, 19 and 20mm).
- SMT mounting style and board lock pins are available.
- "D" shaped polarization to prevent from mis-mating.
- Cantilever contact design
- A tactile perceptible lock mechanism upon mating the connectors is available.

APPLICATIONS

FA, Communication Equipments

SPECIFICATIONS

Rated Voltage	100VAC(r.m.s.)
Rated Current	0.5A/Contact
Dielectric Withstanding Voltage	350VAC(r.m.s.)/1minute
Insulation Resistance	500 M Ω min.at250VDC
Contact Resistance	45m Ω max.

MATERIAL/FINISH



Item	Material/Finish
Contact	Copper Alloy / Contact Area: Au over Ni Plating Tail Area: Sn-Ag over Ni Plating
Housing	LCP Resin (UL94V-0) / Black
LockingTab	Copper Alloy / Sn-Ag Plating

NOTE FOR MOUNTING

Absorption the gap of DFJ series is severe because of fine contact pitch (0.8mm).
(Short edge and long edge: tolerance ± 0.05 mm /each)

DFJ series does not have the floating mechanism.

Please be careful to the gap when you mount more than 2 connectors on one PCB.

We recommend to isolate the PCB which mount the mating connector.

▶ Plug Connector

DFJ-PC030-S931 130D(M)-FA

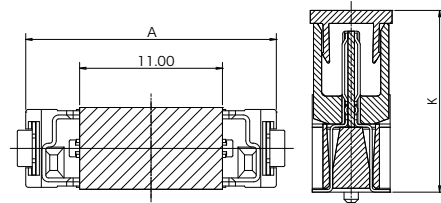
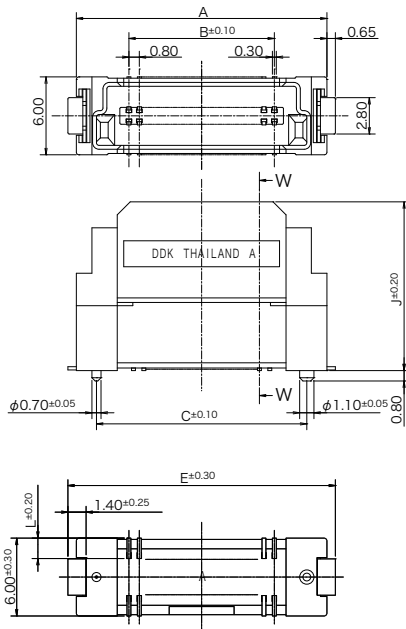
Number of Contact
 020 : 20
 030 : 30
 040 : 40
 060 : 60
 080 : 80
 100 : 100
 120 : 120

Contact Plating
 3 : Au(Flash) over Ni Plating

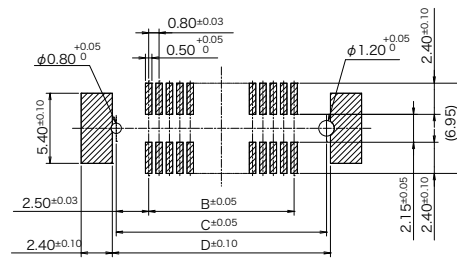
FA:Lead Free

Package Style
 (M): Tray for Automatic Mounting Machine

Connector Height
 080 : 8.0mm 110:11.0mm
 120 : 12.0mm 130:13.0mm



Adsorption Cap Mounting Dimensions



*(PCB Mounting Dimensions)
 (View from Mounting Side)*

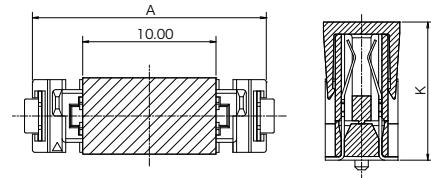
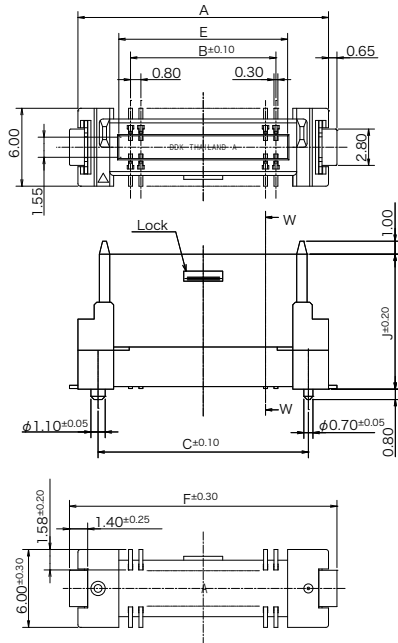
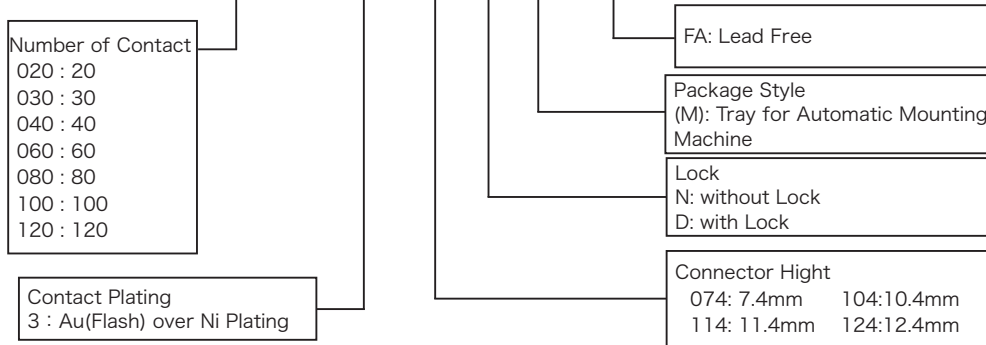
Part Number	Number of Contact	A	B	C	D	E
DFJ-PC020-S931 □□□ D(M)-FA	20	15.3	7.2	12.2	12.8	16.6
DFJ-PC030-S931 □□□ D(M)-FA	30	19.3	11.2	16.2	16.8	20.6
DFJ-PC040-S931 □□□ D(M)-FA	40	23.3	15.2	20.2	20.8	24.6
DFJ-PC060-S931 □□□ D(M)-FA	60	31.3	23.2	28.2	28.8	32.6
DFJ-PC080-S931 □□□ D(M)-FA	80	39.3	31.2	36.2	36.8	40.6
DFJ-PC100-S931 □□□ D(M)-FA	100	47.3	39.2	44.2	44.8	48.6
DFJ-PC120-S931 □□□ D(M)-FA	120	55.3	47.2	52.2	52.8	56.6

Part Number	J	K	L
DFJ-PC □□□ -S931080D(M)-FA	8.0	9.0	2.75
DFJ-PC □□□ -S931110D(M)-FA	11.0	12.0	1.58
DFJ-PC □□□ -S931120D(M)-FA	12.0	13.0	1.58
DFJ-PC □□□ -S931130D(M)-FA	13.0	14.0	1.58

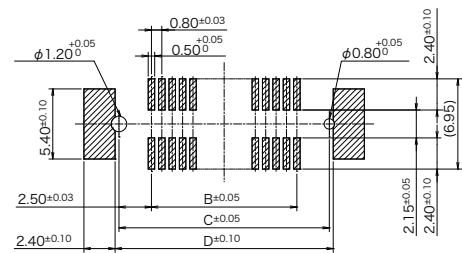
© Specifications and/or dimensions in this catalogue are subject to change without notice.
 Your catalogue checking the latest specifications with our drawings would be highly appreciated.

▶ Receptacle Connector

DFJ-RC030-S831 104D(M)-FA



Adsorption Cap Mounting Dimensions

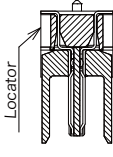
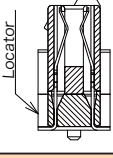
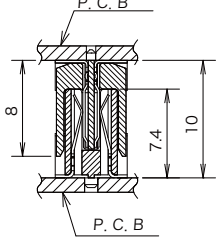
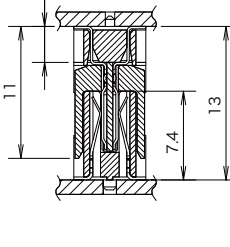
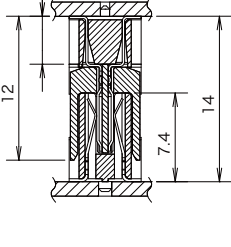

 (PCB Mounting Dimensions)
 (View from Mounting Side)

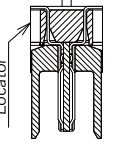
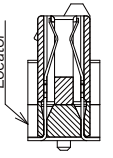
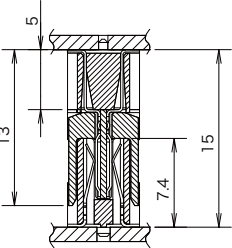
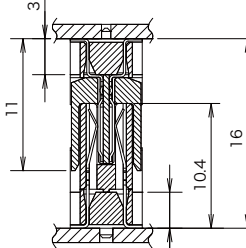
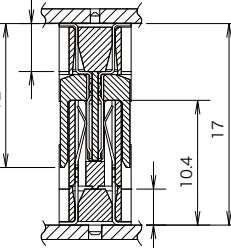
Part Number	Number of Contact	A	B	C	D	E	F
DFJ-RC020-S831 □□□□ (M)-FA	20	15.3	7.2	12.2	12.8	8.8	16.6
DFJ-RC030-S831 □□□□ (M)-FA	30	19.3	11.2	16.2	16.8	12.8	20.6
DFJ-RC040-S831 □□□□ (M)-FA	40	23.3	15.2	20.2	20.8	16.8	24.6
DFJ-RC060-S831 □□□□ (M)-FA	60	31.3	23.2	28.2	28.8	24.8	32.6
DFJ-RC080-S831 □□□□ (M)-FA	80	39.3	31.2	36.2	36.8	32.8	40.6
DFJ-RC100-S831 □□□□ (M)-FA	100	47.3	39.2	44.2	44.8	40.8	48.6
DFJ-RC120-S831 □□□□ (M)-FA	120	55.3	47.2	52.2	52.8	48.8	56.6

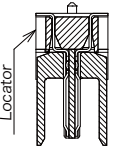
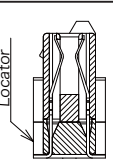
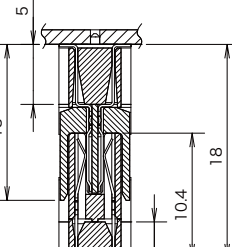
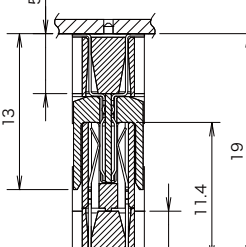
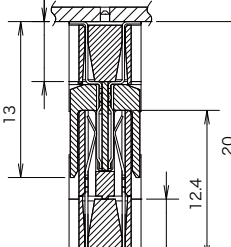
Part Number	J	K
DFJ-RC □□□ -S831074 □ (M)-FA	7.4	8.4
DFJ-RC □□□ -S831104 □ (M)-FA	10.4	11.4
DFJ-RC □□□ -S831114 □ (M)-FA	11.4	12.4
DFJ-RC □□□ -S831124 □ (M)-FA	12.4	13.4

© Specifications and/or dimensions in this catalogue are subject to change without notice.
 Your catalogue checking the latest specifications with our drawings would be highly appreciated.

DFJ Series Stacking Combination List

Stacking Height		10mm	13mm	14mm
Plug	Part Number	DFJ-PC □□□ -S931080D(M)-FA	DFJ-PC □□□ -S931110D(M)-FA	DFJ-PC □□□ -S931120D(M)-FA
	Locator Hight	—	3mm	4mm
				
				
	Part Number	DFJ-RC □□□ -S831074 □ (M)-FA	DFJ-RC □□□ -S831074 □ (M)-FA	DFJ-RC □□□ -S831074 □ (M)-FA
Locator Hight	—	—	—	

Stacking Height		15mm	16mm	17mm
Plug	Part Number	DFJ-PC □□□ -S931130D(M)-FA	DFJ-PC □□□ -S931110D(M)-FA	DFJ-PC □□□ -S931120D(M)-FA
	Locator Hight	5mm	3mm	4mm
				
				
	Part Number	DFJ-RC □□□ -S831074 □ (M)-FA	DFJ-RC □□□ -S831104 □ (M)-FA	DFJ-RC □□□ -S831104 □ (M)-FA
Locator Hight	—	3mm	3mm	

Stacking Height		18mm	19mm	20mm
Plug	Part Number	DFJ-PC □□□ -S931130D(M)-FA	DFJ-PC □□□ -S931130D(M)-FA	DFJ-PC □□□ -S931130D(M)-FA
	Locator Hight	5mm	5mm	5mm
				
				
	Part Number	DFJ-RC □□□ -S831104 □ (M)-FA	DFJ-RC □□□ -S831114 □ (M)-FA	DFJ-RC □□□ -S831124 □ (M)-FA
Locator Hight	3mm	4mm	5mm	

© Specifications and/or dimensions in this catalogue are subject to change without notice.
Your catalogue checking the latest specifications with our drawings would be highly appreciated.