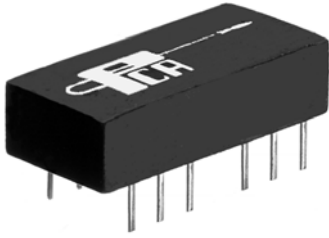


T1/CEPT/ISDN-PRI Interface Transformers

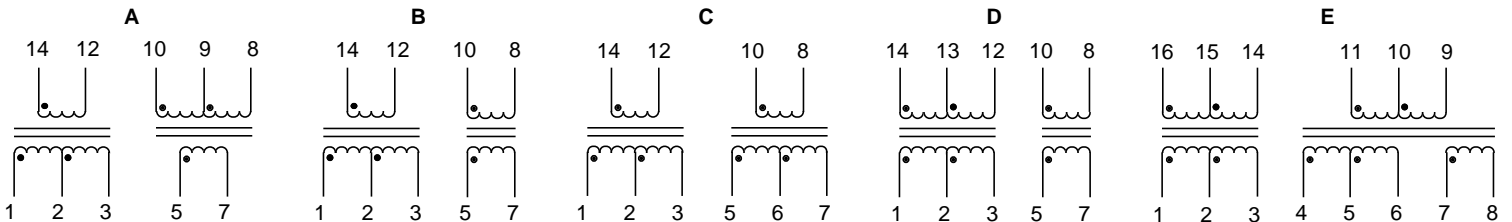


- Optimized for Leading Transceiver I.C.'s •
- Meets or exceeds UL1459, UL1950 & EN60950 Standards •
- 1500 Vrms Isolation •
- See Selection Guide for I.C. Cross Reference •

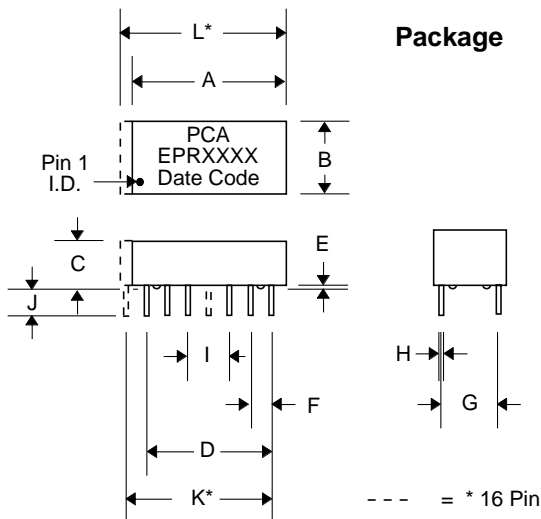
Electrical Parameters @ 25° C

Part Number	Turns Ratio	OCL (mH Min.)	Cw/w (pF Max.)	LI (µH Max.)	Pri. DCR (Ω Max.)	Sec. DCR (Ω Max.)	Primary Pins	Schematic
EPR1026	1:2CT/1:2CT	1.2 / 1.2	35 / 35	0.5 / 0.5	0.7 / 0.7	1.2 / 1.2	14,12 / 5,7	A
EPR1027	1:2CT/1:1.36	1.2 / 1.2	35 / 35	0.5 / 0.5	0.8 / 0.8	1.2 / 1.0	14,12 / 5,7	B
EPR1028	1:2CT/1:2CT	2.0 / 2.0	50 / 50	0.6 / 0.6	1.0 / 1.0	2.0 / 2.0	14,12 / 10,8	C
EPR1029	1:2CT/1:1	1.2 / 1.2	30 / 30	0.5 / 0.5	0.7 / 0.7	1.2 / 0.7	1,3 / 5,7	D
EPR1030	1:1.26/1:2CT	1.5 / 1.2	40 / 40	0.5 / 0.4	0.7 / 0.7	0.9 / 1.3	14,12 / 5,7	A
EPR1031	1:1.15CT/1:2CT	1.5 / 1.2	35 / 40	0.5 / 0.4	0.7 / 0.7	0.9 / 1.3	14,12 / 5,7	A
EPR1032	1:1CT/2CT:1	0.8 / 0.8	30 / 30	0.6 / 0.6	0.5 / 0.5	0.5 / 0.2	14,12 / 5,7	C
EPR1033	1:4CT/1:4CT	0.5 / 0.5	40 / 40	0.5 / 0.5	0.7 / 0.7	1.5 / 1.5	1,3 / 5,7	C
EPR1034*	1CT:1CT/1CT:3CT	1.2 / 0.6	40 / 40	0.8 / 0.8	1.0 / 0.8	1.0 / 2.0	1,3 / 4, 6 / 7, 8	E

Schematic



Package



Dimensions

Dim.	(Inches)			(Millimeters)		
	Min.	Max.	Nom.	Min.	Max.	Nom.
A	.780	.800	.790	19.81	20.32	20.07
B	.365	.385	.375	9.27	9.78	9.52
C	.230	.250	.240	5.84	6.35	6.10
D	---	---	.600	---	---	15.24
E	.013	.017	.015	.330	.432	.381
F	---	---	.100	---	---	2.54
G	.290	.310	.300	7.37	7.87	7.62
H	.017	.023	.020	.432	.584	.508
I	---	---	.200	---	---	5.08
J	.110	.140	.125	2.79	3.57	3.17
*16 Pin Dimensions						
K	.880	.900	.890	22.35	22.86	22.61
L	---	---	.700	---	---	17.78