

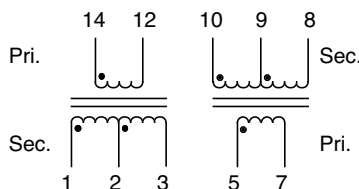
T1/CEPT/ISDN-PRI Interface Transformer EPR1036

- Optimized for leading Transceiver Chips
- Meets or exceeds UL1459 & UL1950 Standards
- 1500 Vrms Isolation

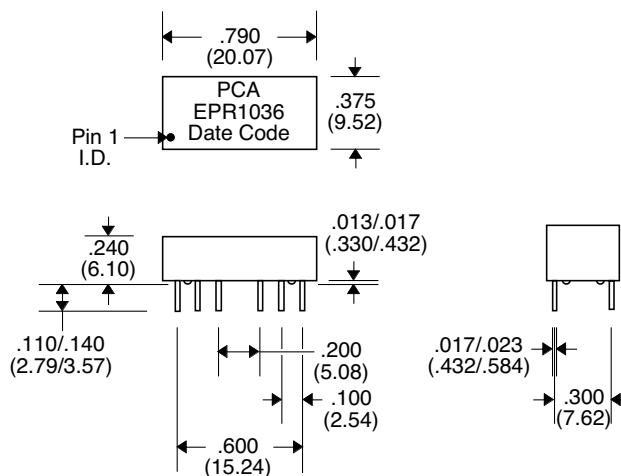
Electrical Parameters @ 25° C

| Turns Ratio | OCL (mH Min.) | Cw/w (pF Max.) | Le (μH Max.) | Pri. DCR (Ω Max.) | Sec. DCR (Ω Max.) | Crosstalk @ 0.1-10 Mhz |
|---------------|------------------|-------------------|-----------------|----------------------|----------------------|---------------------------|
| 1:1CT / 1:2CT | 1.2 / 1.2 | 35 / 35 | 0.5 / 0.5 | 0.7 / 0.7 | 0.7 / 1.4 | -60 dB |

Schematic



Package



Unless Otherwise Specified Dimensions are in Inches /mm ±.010 /.25