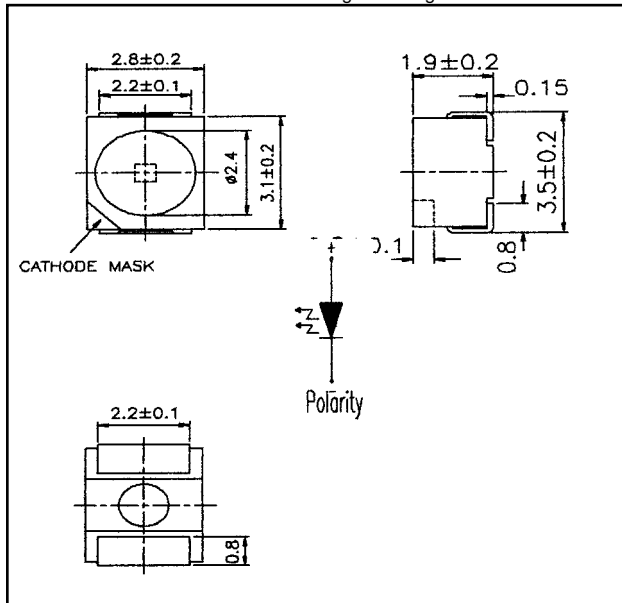




Weight: 2.0 mg Unit: mm



Product specifications contained herein may be changed without prior notice. It is therefore advisable to contact Purdy Electronics before proceeding with the design of equipment incorporating this product.

AND6BC

InGaN Ultra Bright Blue TOP LEDs

Features

• RoHS Compliant

- P-LCC-2 package with optical indicator
- Compatible with automatic placement equipment
- Suitable for infrared reflow, vapor phase reflow, and wave solder processes
- Wide viewing angle
- Low (2mA) current operation
- Inter reflector
- Ideal for (LCD) backlight and pipe applications
- Pb-Free, RoHS

Maximum Ratings ($T_a = 25^\circ\text{C}$)

Characteristics	Symbol	Rating	Unit
Forward Current	I_F	30	mA
Reverse Voltage	V_R	5	V
Power Dissipation	P_D	130	mW
Operating Temp. Range	T_{Opr}	-40 to 85	$^\circ\text{C}$
Storage Temp. Range	T_{Stg}	-40 to 100	$^\circ\text{C}$
Electrostatic Discharge	ESD	1000	V
Peak Forward Current (Duty 1/10 @ 1Khz)	IFP	100	mA

Electro-Optical Characteristics ($T_a = 25^\circ\text{C}$)

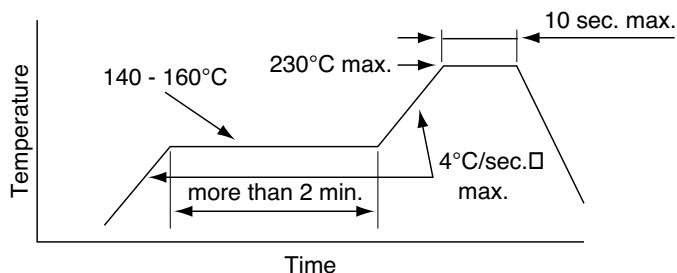
Characteristics	Symbol	Test Condition	Minimum	Typical	Maximum	Unit
Forward Voltage	V_F	$I_F = 20 \text{ mA}$	2.7	3.2	3.7	V
Reverse Current	I_R	$V_R = 5 \text{ V}$	-	-	50	μA
Luminous Intensity	I_V	$I_F = 20 \text{ mA}$	57	85	112	mcd
Peak Emission Wavelength	λ_P	$I_F = 20 \text{ mA}$	-	468	-	nm
Spectral Line Half Width	$\Delta\lambda$	$I_F = 20 \text{ mA}$	-	26	-	nm
Dominant Wavelength	λ_d	$I_F = 20 \text{ mA}$	-	470	-	nm
Full Viewing Angle	$2\theta_{1/2}$	$I_F = 20 \text{ mA}$	-	120	-	degree

Precaution

Please be careful of the following:

1. Manual soldering: maximum temperature of iron tip: 260°C max.
Soldering time: within 5 sec. per solder-land
Soldering portion of lead: up to 1.6 mm from the body of the device
2. Reflow solder: recommended condition is as follows:

3. Absolute secure counter measures against static electricity and surge should be taken when handling these products. It is recommended to use wrist band or antistatic gloves when handling these LEDs.



for reflow soldering

