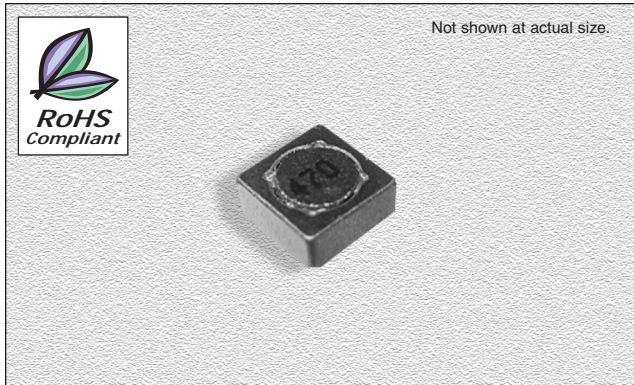


CTSDQ25F Series

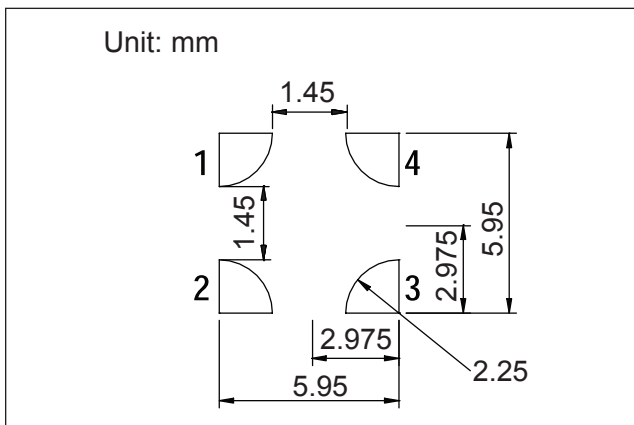
From 0.47 μH to 1000 μH



CHARACTERISTICS

- Description:** SMD (shielded) power inductor
- Applications:** Digital cameras, CD players, cellular phones, PDAs, PCMCIA cards, GPS systems, etc.
- Operating Temperature:** -40°C to $+85^{\circ}\text{C}$
- Inductance Tolerance:** $\pm 20\%$
- Testing:** Tested on a HP4285A at 100 KHz
- Packaging:** Tape & Reel
- Marking:** Parts are marked with inductance code
- Miscellaneous:** RoHS Compliant.
- Additional Information:** Additional electrical & physical information available upon request
- Samples available.** See website for ordering information.

PAD LAYOUT



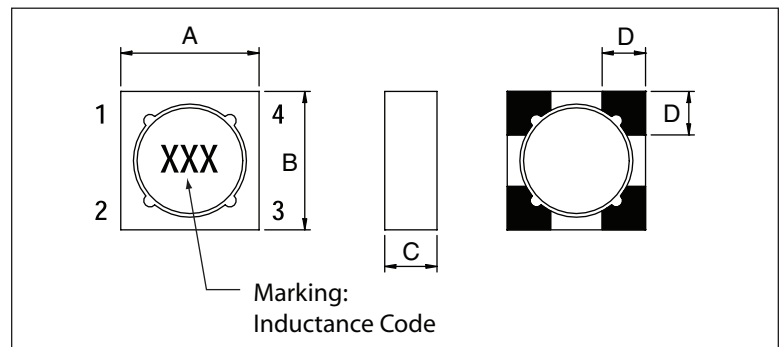
SPECIFICATIONS

Parts are available in $\pm 20\%$ tolerance only.
Isat: DC current at which the inductance drops 30% typ. from its value without current.

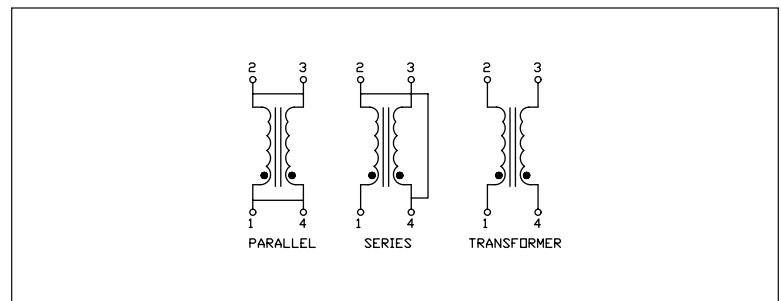
Part Number	Parallel Ratings						Series Ratings			
	L (μH)	OCL $\pm 20\%$ (μH)	Irms (A)	Isat (A)	DCR Max. (Ω)	OCL $\pm 25\%$ (μH)	Irms (A)	Isat (A)	DCR Max. (Ω)	
CTSDQ25F-R47M	0.47	0.392	3.71	6.43	0.0226	1.57	1.86	3.21	0.0906	
CTSDQ25F-R82M	0.82	0.648	3.37	5.00	0.0276	2.59	1.68	2.50	0.1104	
CTSDQ25F-1R0M	1.0	0.97	3.15	4.09	0.0315	3.87	1.58	2.05	0.1259	
CTSDQ25F-1R5M	1.5	1.35	2.97	3.46	0.0354	5.41	1.49	1.73	0.1413	
CTSDQ25F-2R2M	2.2	2.31	2.67	2.65	0.0439	9.25	1.34	1.32	0.1753	
CTSDQ25F-3R3M	3.3	2.89	2.50	2.37	0.0499	11.55	1.25	1.18	0.1994	
CTSDQ25F-4R7M	4.7	5.00	1.96	1.80	0.0816	20.00	0.98	0.900	0.3265	
CTSDQ25F-6R8M	6.8	6.73	1.84	1.55	0.0926	26.91	0.918	0.776	0.3705	
CTSDQ25F-8R2M	8.2	8.71	1.57	1.36	0.1269	34.85	0.785	0.682	0.5074	
CTSDQ25F-100M	10	9.80	1.53	1.29	0.1335	39.20	0.765	0.643	0.5341	
CTSDQ25F-150M	15	14.79	1.24	1.05	0.2040	59.17	0.619	0.523	0.8158	
CTSDQ25F-220M	22	22.47	1.01	0.849	0.3039	89.89	0.507	0.425	1.2155	
CTSDQ25F-330M	33	33.80	0.812	0.692	0.4744	135.2	0.406	0.346	1.9000	
CTSDQ25F-470M	47	47.43	0.749	0.584	0.5576	189.7	0.374	0.292	2.225	
CTSDQ25F-680M	68	69.19	0.603	0.484	0.8581	276.8	0.302	0.242	3.438	
CTSDQ25F-820M	82	81.61	0.580	0.446	0.9294	326.4	0.290	0.223	3.713	
CTSDQ25F-101M	100	98.57	0.499	0.405	1.250	394.3	0.249	0.203	5.025	
CTSDQ25F-151M	150	150.2	0.408	0.328	1.875	600.6	0.204	0.164	7.500	
CTSDQ25F-221M	220	223.1	0.326	0.269	2.950	892.4	0.163	0.135	11.775	
CTSDQ25F-331M	330	329.7	0.292	0.222	3.663	1318.7	0.146	0.111	14.683	
CTSDQ25F-471M	470	472.4	0.243	0.185	5.313	1889.6	0.121	0.093	21.238	
CTSDQ25F-681M	680	677.4	0.197	0.155	8.063	2709.8	0.098	0.077	32.225	
CTSDQ25F-821M	820	824.3	0.186	0.140	9.063	3297.3	0.093	0.070	36.238	
CTSDQ25F-102M	1000	1008.2	0.160	0.127	12.275	4032.8	0.080	0.063	49.075	

PHYSICAL DIMENSIONS

Size	A Max.	B Max.	C Max.	D Typ
mm	5.2	5.2	2.5	1.5
inches	0.205	0.205	0.098	0.059



CONNECTION DIAGRAM



09.13.07