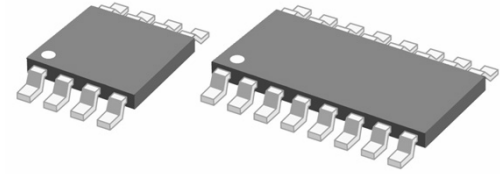
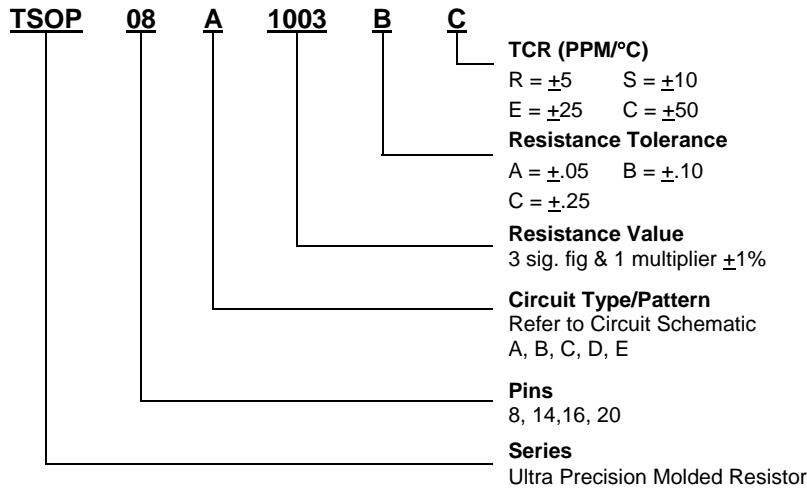


The content of this specification may change without notification 1/01/06

Custom solutions are available.

HOW TO ORDER



FEATURES

- TSOP High Precision NiCr Thin Film Resistor Networks with tight ratio and tracking
- 10 Standard Circuits
- Excellent to relative Tolerance and TCR
- High Stability Thin Film
- 2.3mm High from PC Board, most fit for high density compacted instruments.
- Custom Circuit Configuration is Available

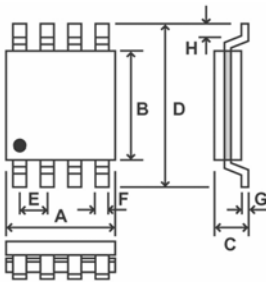
ELECTRICAL SPECIFICATIONS

Rated Power per Resistor at 70°C	60mW
Maximum Working Voltage	75V
Maximum Overload Voltage	150V
Absolute TCR ppm/°C	50, 25, 10, 5
Absolute Tolerance %	0.25, 0.1, 0.05

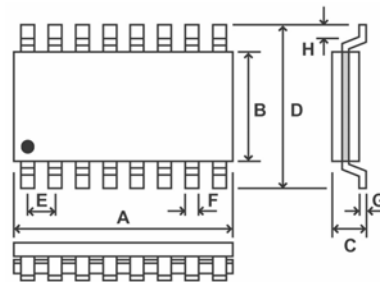
MECHANICAL SPECIFICATIONS

Mechanical Protection	Epoxy Molded
Resistive Element	NiCr Film
Terminal Leads	Tinned

TSOP 08 SCHEMATIC



TSOP 08



TSOP 16

TYPICAL PERFORMANCE

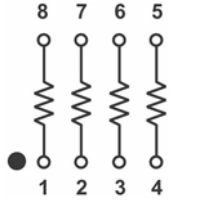
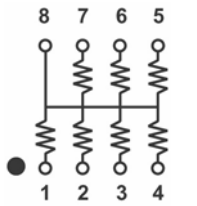
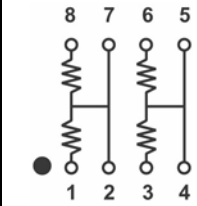
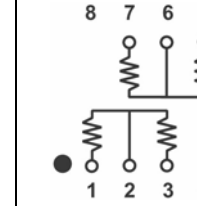
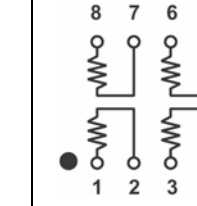
ABS	TRACKING
$\pm 5\text{ppm}$	1, 2, 3, 5
$\pm 10\text{ppm}$	1, 2, 3, 5, 10
$\pm 25\text{ppm}$	1, 2, 3, 5, 10
$\pm 50\text{ppm}$	1, 2, 3, 5, 10

ABS	RATIO
$\pm 0.05\%$	0.025, 0.05, 0.1
$\pm 0.10\%$	0.025, 0.05, 0.1, 0.2
$\pm 0.25\%$	0.025, 0.05, 0.1, 0.25, 0.5

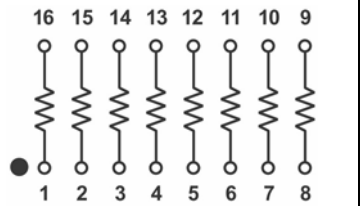
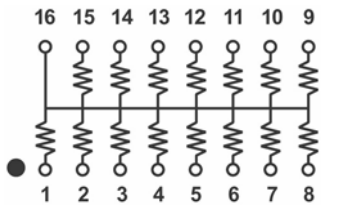
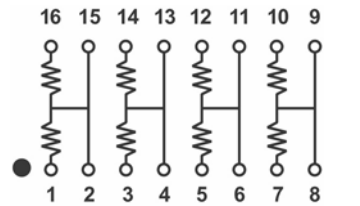
DIMENSIONS (mm)

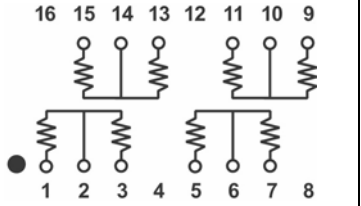
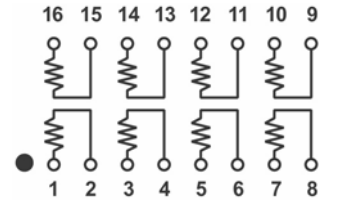
Model	A	B	C	D	E	F	G	H
TSOP 08	5.5 ± 0.3	5.3 ± 0.3	2.3 max	8.0 ± 0.2	1.27 ± 0.2	0.4 ± 0.05	0.2 ± 0.1	0.3 min
TSOP 16	10.5 ± 0.5	5.3 ± 0.3	2.3 max	8.0 ± 0.2	1.27 ± 0.2	0.4 ± 0.05	0.2 ± 0.1	0.3 min

CIRCUIT SPECIFICATION

Circuit Symbol	A	B	C	D	E
TSOP 08 Circuit Layout Options					
Resistance Range (Ω)	50.0 ~ 22.0K	50.0 ~ 10.0K	50.0 ~ 22.0K	50.0 ~ 22K	500 ~ 10.0K

CIRCUIT SPECIFICATION – 16 PINS

Circuit Symbol	A	B	C
TSOP 16 Circuit Layout Options			
Resistance Range (Ω)	50.0 ~ 22.0K	50.0 ~ 10.0K	50.0 ~ 22.0K

Circuit Symbol	D	E
TSOP 16 Circuit Layout Options		
Resistance Range (Ω)	50.0 ~ 22K	500 ~ 10.0K

PERFORMANCE

TEST	TEST METHOD	REQUIREMENTS
Operating Temperature Range		-55°C ~ 155°C
Short Time Overload	2.5 x rated voltage for 5 seconds	± (0.02% + 0.01 Ω)
Temperature Cycle	-55°C ~ 155°C for 5 cycles	± (0.02% + 0.01 Ω)
Resistance to Solder Heat	250°C for 10 seconds	± (0.02% + 0.01 Ω)
Moisture Resistance Load Life	40°C, 90 ~ 95% R.H. rated voltage, 1,000 hours	± (0.02% + 0.01 Ω)
Load Life at 70°C	70°C, rated voltage, 1.5 hours on, 0.5 hours off, 1,000 hours	± (0.02% + 0.01 Ω)