



## PDT282SM Series Dual Digit 7 Segment 0.28" SMD Display

### Features

- \*Dual Digit Surface Mount Devise .28" (7.0mm) Height
- \*Multiplex Drive
- \*AlInGaP Ultra Bright Red Chips used
- \*Low Current Requirements
- \*Uniform Light Output
- \*IC Compatible
- \*High Reliability
- \*Gray Face, White Segments
- \*Tape & Reel 1k pcs
- \*RoHS Compliant

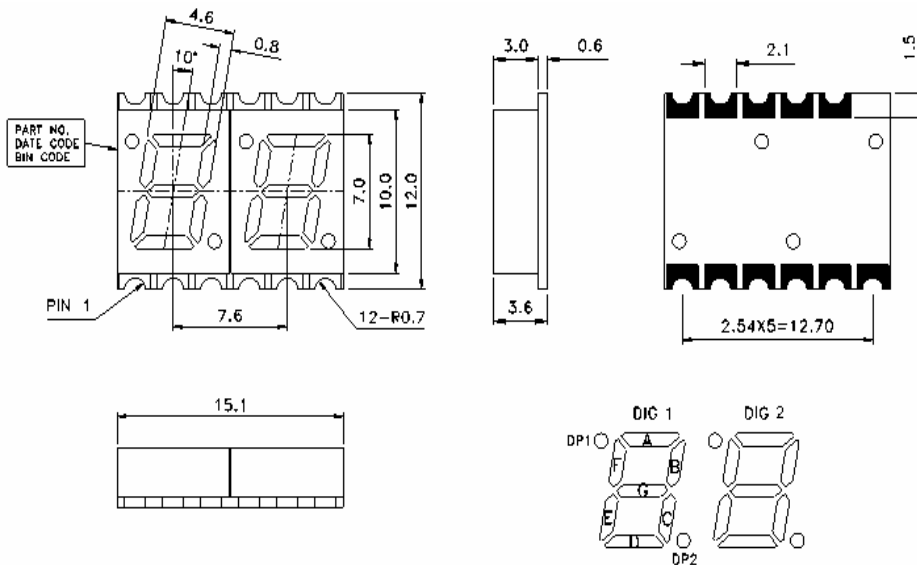
### Absolute Maximum Ratings at T<sub>A</sub> = 25°C

Power Dissipation per Segment.....	65mW
Reverse Voltage (<100 μA).....	5.0V
Max Forward Current.....	25mA
Peak Forward Current (1/10 Duty Cycle, 0.1ms Pulse Width).....	100mA
Operating Temperature Range.....	-40°C to +105°C
Storage Temperature Range.....	-40°C to +105°C
Soldering Temperature (1.6mm below body).....	260°C for 10 seconds

### Electrical & Optical Characteristics at T<sub>A</sub> = 25°C

Part Number		Emitting Color	Chip Material	Dominant Wave Length	Peak Wave Length	Forward Voltage @20mA (V)		Luminous Intensity @10mA (mcd)	
						Typ	Max	Min	Typ
Common Anode	Common Cathode			nm	nm				
PDT282SM-CAMR09	PDT282SM-CCMR09	Hyper Red	AlInGaP	624	632	2.0	2.6	6.0	15.0

All Dimensions are in **Millimeters**. Tolerance is ± 0.25mm unless otherwise specified.



Pin Function	
Common Anode Pin #	Common Cathode Pin #
1 Cathode G	1 Anode G
2 Cathode DP2 & DP4	2 Anode DP2 & DP4
3 Cathode A	3 Anode A
4 Cathode F	4 Anode F
5 Com Anode Dig 2	5 Com Cathode Dig 2
6 Cathode D	6 Anode D
7 Cathode E	7 Anode E
8 Cathode C	8 Anode C
9 Cathode B	9 Anode B
10 Com Anode Dig 1	10 Com Cathode Dig 1
11 Cathode DP1 & DP3	11 Anode DP1 & DP3