

P-tec Corp. Tel:(800)688-0613
 2405 Commerce Circle Tel:(719) 589 3122
 Alamosa Co. 81101 Fax:(719) 589 3592
 www.p-tec.net sales@p-tec.net



PDT512SM Series Dual Digit 7 Segment SMD Display 0.51"

Features

- *Surface Mount Devise 0.56" (13mm) Digit Height, Multiplex Drive
- *AllInGaP Ultra Bright Red Chips used
- *Low Current Requirements
- *Uniform Light Output
- *IC Compatible
- *High Reliability
- *Gray Face, White Segments
- *Tape & Reel 1k pcs
- *RoHS Compliant

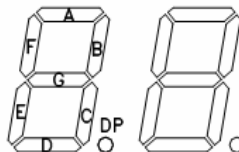
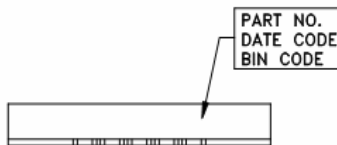
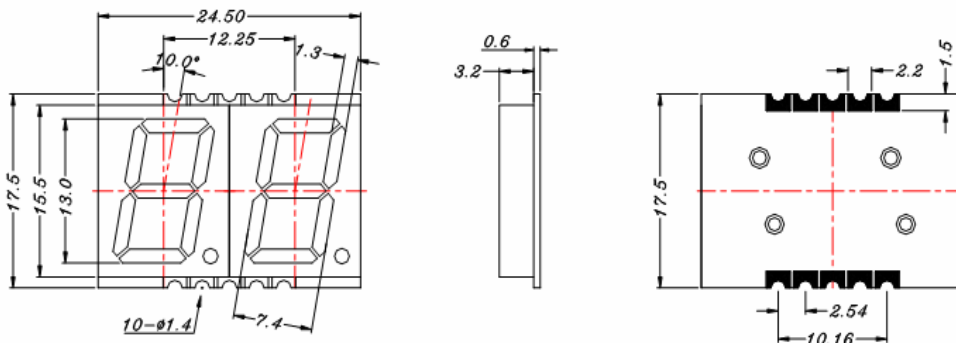
Absolute Maximum Ratings at T_A = 25°C

Power Dissipation per Segment.....	65mW
Reverse Voltage (<100 μA).....	5.0V
Max Forward Current.....	25mA
Peak Forward Current (1/10 Duty Cycle, 0.1ms Pulse Width).....	100mA
Operating Temperature Range.....	-40°C to +105°C
Storage Temperature Range.....	-40°C to +105°C
Soldering Temperature (1.6mm below body).....	260°C for 10 seconds

Electrical & Optical Characteristics at T_A = 25°C

Part Number		Emitting Color	Chip Material	Dominant Wave Length	Peak Wave Length	Forward Voltage @20mA (V)		Luminous Intensity @10mA (mcd)	
						Typ	Max	Min	Typ
Common Anode	Common Cathode			nm	nm				
PDT512SM-CAMR09	PDT512SM-CCMR09	Hyper Red	AllInGaP	624	634	2.0	2.6	7.0	16.0

All Dimensions are in **Millimeters**. Tolerance is ± 0.25mm unless otherwise specified.



Pin Function	
Common Anode Pin #	Common Cathode Pin #
1 Cathode G	1 Anode G
2 Cathode DP	2 Anode DP
3 Cathode A	3 Anode A
4 Cathode F	4 Anode F
5 Com Anode Digit 2	5 Com Cathode Digit 2
6 Cathode D	6 Anode D
7 Cathode E	7 Anode E
8 Cathode C	8 Anode C
9 Cathode B	9 Anode B
10 Com Anode Digit 1	10 Com Cathode Digit 1