



Wall Industries, Inc.

PS1K5U Series
1500 Watt Single Output
PFC and Current Sharing
AC/DC Switching Power Supply

FEATURES

- Remote Sense
- Universal AC Input
- Power Failure Signal
- Remote ON/OFF Control
- 0.98 Typical Power Factor
- Programmable Output Voltage
- Forced Current Sharing at Parallel Operation
- 5 LED Indicators display AC, DC, OTP Status
- Short Circuit/ Over Load/ Over Voltage/ Over Temperature Protection



SPECIFICATIONS: PS1K5U Series

All specifications are based on 25°C, Nominal Input Voltage, and Maximum Output Current unless otherwise noted.
 We reserve the right to change specifications based on technological advances.

INPUT SPECIFICATIONS

Input Voltage Range	90 ~ 260VAC
Input Frequency	47 to 63Hz
Input Current	7.0A @ 230VAC Typical
Inrush Current	RESULT A: 84.0A (Typical)
Leakage Current	< 7.0mA at 240VAC
Remote ON/OFF Control	Compatible with a TTL signal to turn ON/OFF

OUTPUT SPECIFICATIONS

Output Voltage	See Table
Output Power Range	1500 Watts max.
Output Voltage Adjustability	3% Typical adjustment by potentiometer 20% ~ 100% Adjustment by 1 ~ 5VDC external control.
Line Regulation	Less than 1%
Load Regulation	Less than 1%
Output Current	See Table
Ripple & Noise (peak to peak)	1% max
Setup, Rise, Hold-Up Time	RESULT A: 12.4ms
Temperature Coefficient	±0.04% / °C (0 ~ 50°C)
Remote Sense	Yes

PROTECTION

Over Voltage Protection	110% ~ 135% (variable "OVP" follows the adjustable DC output voltage)
Over Load Protection	Current limiting 3 times (1.5", 3.0", 5.0") then intelligent auto recovery before shutdown.

GENERAL SPECIFICATIONS

Efficiency	See Table
Power Factor	0.98 (Typical)
Power Failure Signal	Open Drain of NPN Transistor
Parallel Operation	Yes

ENVIRONMENTAL SPECIFICATIONS

Working Temperature	0°C to +50°C @ 100% Load, +65°C @ 50% Load.
Storage Temperature	-20°C to +85°C
Working Humidity	20% to 90% RH
Storage Humidity	10% to 95% RH
Vibration	10 ~ 200Hz, 2g 10 min./1cycle, Period of 60 min. for each axis.
Cooling	Power rating and temperature controlled fan.

PHYSICAL SPECIFICATIONS

Weight	3.75kg
Dimensions	279(L) x 203(W) x 63.5(H) mm

SAFETY & EMC

Safety Standards	UL1950, TUV EN60950
EMC Standards	EN55022, EN61000-4-2,3,4,5,6,8,11, EN61000-3-2,3, ENV50204



Wall Industries, Inc.

PS1K5U Series
1500 Watt Single Output
PFC and Current Sharing
AC/DC Switching Power Supply

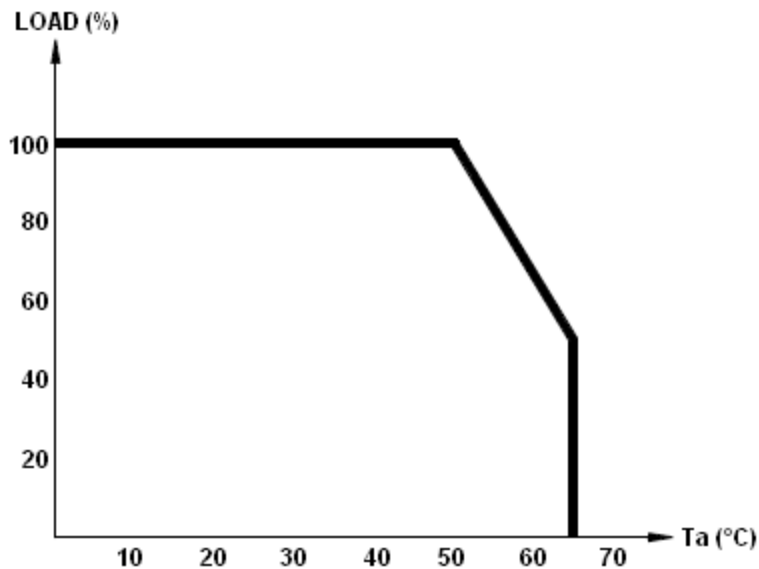
OUTPUT VOLTAGE / CURRENT RATING CHART

Model Number	Output Voltage	Output Current	Maximum Output Power	Ripple & Noise	Efficiency
PS1K5U-P012	12 VDC	125A	1500W	1%	84%
PS1K5U-P015	15 VDC	100A	1500W	1%	85%
PS1K5U-P018	18 VDC	83.3A	1500W	1%	85%
PS1K5U-P024	24 VDC	62.5A	1500W	1%	88%
PS1K5U-P030	30 VDC	50A	1500W	1%	88%
PS1K5U-P036	36 VDC	41.6A	1500W	1%	88%
PS1K5U-P048	48 VDC	31.25A	1500W	1%	89%
PS1K5U-P060	60 VDC	25A	1500W	1%	90%

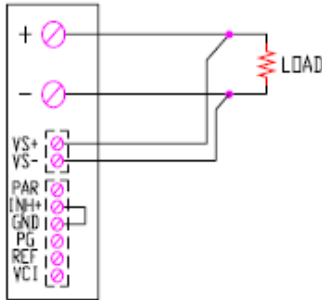
NOTES

1. Dimensions of the mechanical drawing are shown in millimeters and inches.
2. Weight of the unit is 3750 grams.

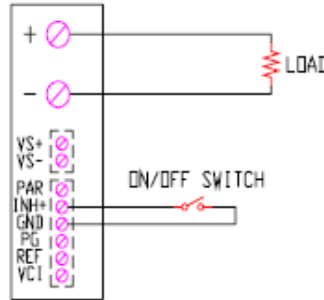
DERATING CURVE



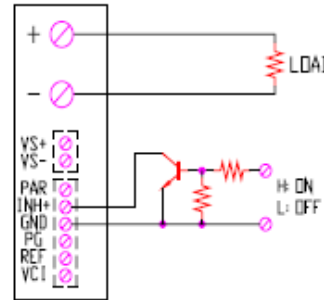
CONNECTOR PIN-OUT DRAWINGS



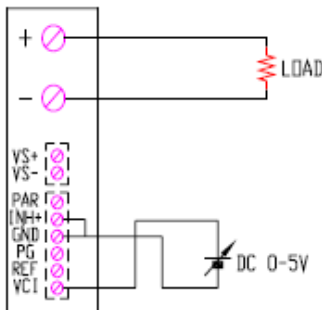
REMOTE SENSING
 (FOR REMOTE SENSING MODEL ONLY)



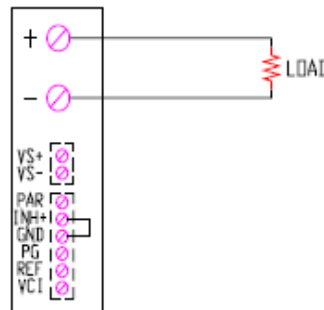
ON/OFF CONTROL BY SWITCH



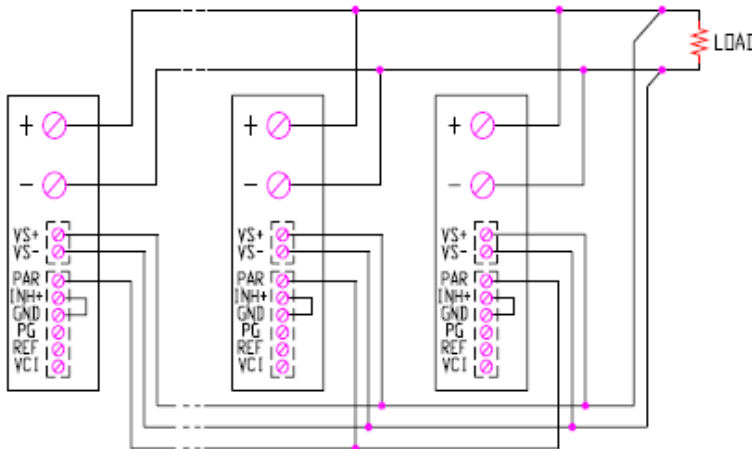
ON/OFF CONTROL BY TRANSISTOR



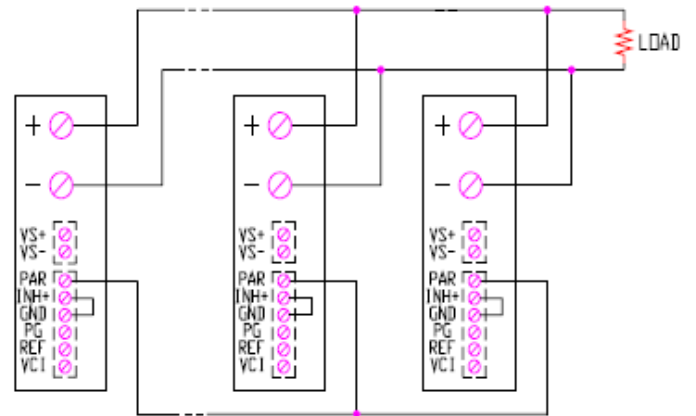
OUTPUT VOLTAGE ADJUST WITH DC 0-5V



USING INTERNAL VOLTAGE CONTROL



PARALLEL OPERATION WITH REMOTE SENSING



PARALLEL OPERATION WITHOUT REMOTE SENSING



Wall Industries, Inc.

PS1K5U Series
1500 Watt Single Output
PFC and Current Sharing
AC/DC Switching Power Supply

MECHANICAL DRAWING

Dimensions: mm [inches]

