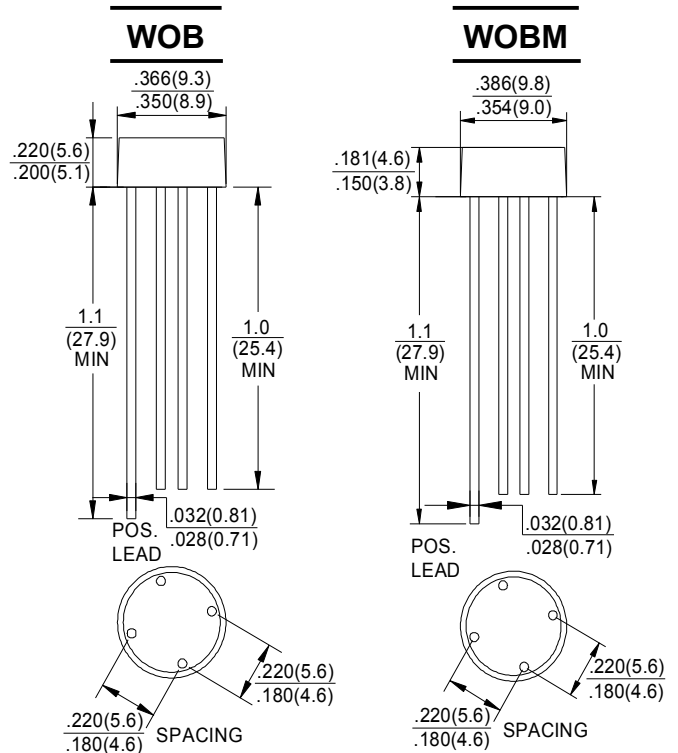


GLASS PASSIVATED BRIDGE RECTIFIERS

REVERSE VOLTAGE - 50 to 1000Volts
FORWARD CURRENT - 1.5 Amperes

FEATURES

- Surge overload rating -50 amperes peak
- Ideal for printed circuit board
- Reliable low cost construction utilizing molded plastic technique results in expensive product
- Mounting Position :Any



Dimensions in inches and (millimeters)

MAXIMUM RATINGS AND ELECTRICAL CHARACTERISTICS

Rating at 25°C ambient temperature unless otherwise specified.

Single phase, half wave ,60Hz, resistive or inductive load.

For capacitive load, derate current by 20%

CHARACTERISTICS	SYMBOL	W005G	W01G	W02G	W04G	W06G	W08G	W10G	UNIT	
		W005MG	W01MG	W02MG	W04MG	W06MG	W08MG	W10MG		
Maximum Recurrent Peak Reverse Voltage	VRRM	50	100	200	400	600	800	1000	V	
Maximum RMS Voltage	VRMS	35	70	140	280	420	560	700	V	
Maximum DC Blocking Voltage	VDC	50	100	200	400	600	800	1000	V	
Maximum Average Forward Rectified Current @TA=25°C	I(AV)	1.5							A	
Peak Forward Surge Current , 8.3ms Single Half Sine-Wave Super Imposed on Rated Load	IFSM	50							A	
I ² t Rating for Fusing (t<8.3ms)	I ² t	5.0							A ² s	
Maximum Forward Voltage Drop Per Element at 1.5A Peak	VF	1.1							V	
Maximum Reverse Current at Rated DC Blocking Voltage TJ=25°C	IR	10.0							μA	
		TJ=100°C							1.0	mA
Operating Temperature Range	TJ	-55 to +150							°C	
Storage Temperature Range	TSTG	-55 to +150							°C	