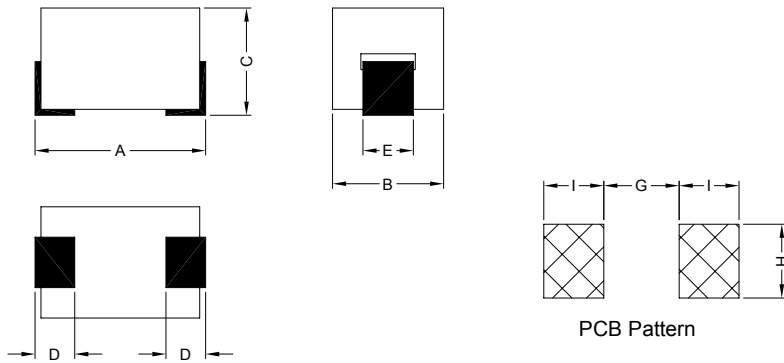


SINGLE LINE SURFACE MOUNT FERRITE BEAD

Z403025 SERIES

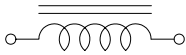
1. CONFIGURATION & DIMENSIONS :



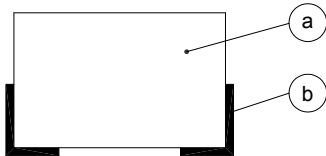
Unit:m/m

A	B	C	D	E	G	H	I
5.10 Max.	3.20 Max.	3.10 Max.	2.00 Max.	1.50 Max.	1.02 Ref.	3.45 Ref.	3.15 Ref.

2. SCHEMATIC :



3. MATERIALS :



(a) Core : Ferrite Core

(b) Terminal : Flat Tinned Copper Wire

4. GENERAL SPECIFICATION :

- a) Temp. rise : 40°C Max. at IDC
- b) Rated Current : Base on temp. rise
- c) Operating temp. : -55°C to +125°C

5. ELECTRICAL CHARACTERISTICS :

Part No.	Impedance (Ω) @ 25MHz	Impedance (Ω) @ 100MHz	Rated Current (A)
Z403025-10	30 Min.	47 Min.	5.0



RoHS Compliant

NOTE : Specifications subject to change without notice. Please check our website for latest information.

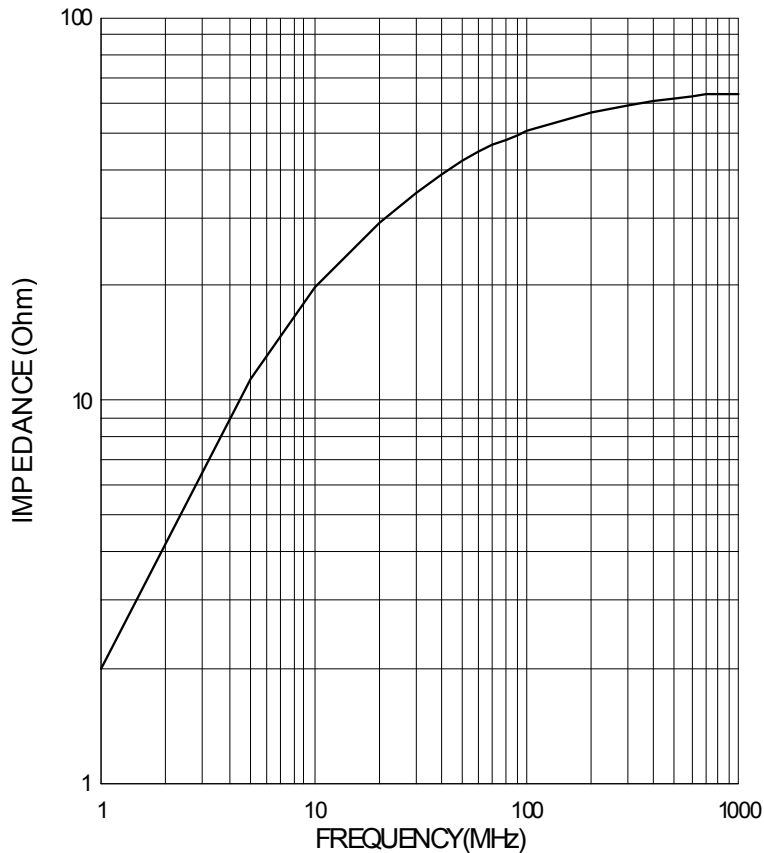
17.06.2008



SUPERWORLD ELECTRONICS (S) PTE LTD

PG. 1

6. IMPEDANCE VS FREQUENCY CHARACTERISTICS :



HP-4287A RF Impedance/Material Analyzer



RoHS Compliant

NOTE : Specifications subject to change without notice. Please check our website for latest information.

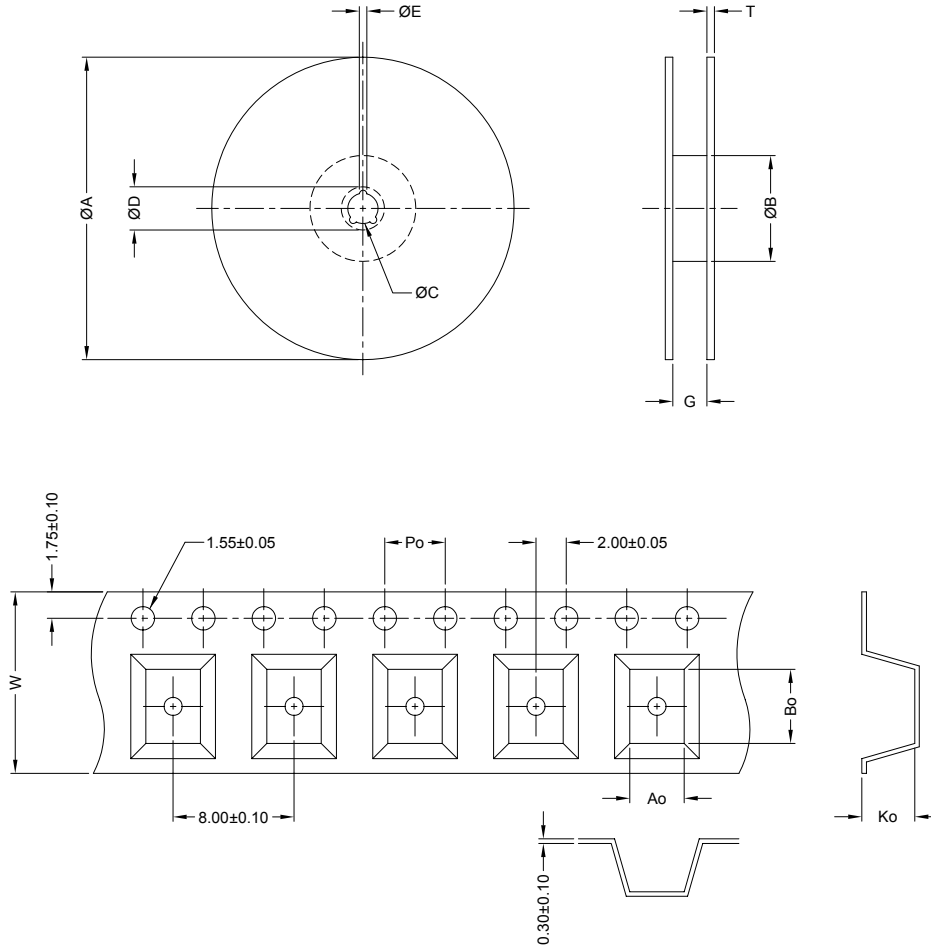
17.06.2008



SUPERWORLD ELECTRONICS (S) PTE LTD

7. PACKAGING INFORMATION :

(1) CONFIGURATION



(2) DIMENSIONS

A	B	C	D	E	G	T
178±2.0	67±2.0	12.5±1.5	22±2.0	2.3±0.5	16.4±1.0	1.0
W	Po	Ao	Bo	Ko		
12±0.3	4±0.1	3.6±0.1	4.9±0.1	3.5±0.1		

(3) PACKAGING QUANTITY :

500 PCS / REEL



RoHS Compliant

NOTE : Specifications subject to change without notice. Please check our website for latest information.

17.06.2008



SUPERWORLD ELECTRONICS (S) PTE LTD