



# Frontier Electronics Corp.

667 E. COCHRAN STREET, SIMI VALLEY, CA 93065

TEL: (805) 522-9998 FAX: (805) 522-9989

E-mail: frontiersales@frontierusa.com

Web: frontierusa.com

## Radial Leads Inductors (Choke Coil)—18402 series

### A. Specifications:

Part Number	L (uH) @ 1KHz	Q Min.	Test Freq. (MHz)	SRF Min. (MHz)	DCR (Ω) Max.	Rated Current (A) Max.	Type
184021R0M	1	20	7.9	68	0.005	7.5	I
184021R5M	1.5	20	7.9	56	0.008	6.6	I
184022R2M	2.2	20	7.9	45	0.010	5.4	I
184023R3M	3.3	20	7.9	38	0.013	4.5	I
184024R7M	4.7	20	7.9	30	0.017	3.7	I
184026R8M	6.8	20	7.9	24	0.022	3.1	I
18402100K	10	20	2.5	19	0.03	2.5	I
18402120K	12	20	2.5	17	0.04	2.2	I
18402150K	15	20	2.5	15	0.05	2.0	I
18402180K	18	20	2.5	13	0.06	1.8	II
18402220K	22	20	2.5	12	0.07	1.6	II
18402270K	27	20	2.5	11	0.08	1.4	II
18402330K	33	20	2.5	10	0.10	1.3	II
18402390K	39	20	2.5	9	0.12	1.2	II
18402470K	47	20	2.5	8	0.14	1.1	II
18402560K	56	20	2.5	7	0.16	0.96	II
18402680K	68	20	2.5	6.5	0.18	0.91	II
18402820K	82	20	2.5	6	0.20	0.83	II
18402101K	100	15	0.79	5.5	0.25	0.75	II
18402121K	120	15	0.79	5	0.33	0.68	II
18402151K	150	15	0.79	4.5	0.40	0.61	II
18402181K	180	15	0.79	4	0.50	0.55	II
18402221K	220	15	0.79	3.5	0.60	0.50	II
18402271K	270	15	0.79	3.2	0.70	0.45	II
18402331K	330	15	0.79	2.8	0.80	0.41	II
18402391K	390	15	0.79	2.5	0.90	0.37	II
18402471K	470	15	0.79	2.3	1.0	0.34	II
18402561K	560	15	0.79	2.1	1.3	0.31	II
18402681K	680	15	0.79	1.9	1.5	0.28	II
18402821K	820	15	0.79	1.7	2.0	0.25	II
18402102K	1000	30	0.25	1.5	2.5	0.23	II
18402122K	1200	30	0.25	1.3	3.0	0.2	II
18402152K	1500	30	0.25	1.2	3.5	0.18	II

★ Custom specifications are available.

Note: **RoHS** compliant; for the **ROHS** parts, we add “-LFR” at the end of the P/N.



# Frontier Electronics Corp.

667 E. COCHRAN STREET, SIMI VALLEY, CA 93065

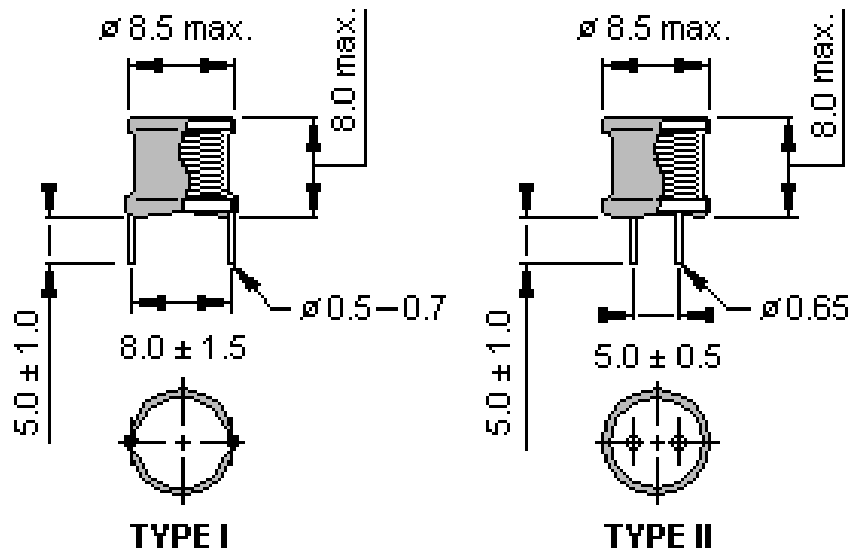
TEL: (805) 522-9998 FAX: (805) 522-9989

E-mail: frontiersales@frontierusa.com

Web: frontierusa.com

## Radial Leads Inductors (Choke Coil)—18402 series

### B. Mechanical Dimensions:



### C. General Information:

1. Inductance Tolerance: M:  $\pm 20\%$ , K:  $\pm 10\%$ .
2. Inductance (Current) ranges:  $1.0\mu\text{H}$  (7.5A) -  $1500\mu\text{H}$ , (180mA)
3. DCR: from 0.005 - 3.5 Ohms.
4. Operating temperature:  $-20^{\circ}\text{C}$  to  $+85^{\circ}\text{C}$ .
5. Temperature rise:  $25^{\circ}\text{C}$  Max.
6. Ambient temperature:  $60^{\circ}\text{C}$  Max.
7. Test condition: 1 KHz.
8. Test equipment:
  - L: HP4276A LCZ Meter.
  - Q: HP4342A at specified frequency.
  - DCR: Milli-Ohm meter.
  - SRF: HP4191A.

★ Custom specifications are available.

Note: **RoHS** compliant; for the **ROHS** parts, we add “-LFR” at the end of the P/N.