

Series 80 "Mighty Mouse" Backshells, Boots and Clamps



EMI Backshells



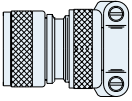
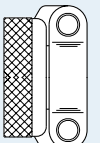
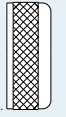
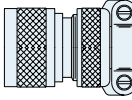
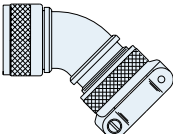
380MS135

EMI backshells feature an EMI ring for easy shield termination.

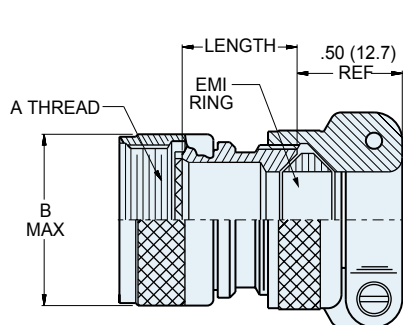
Straight Entry backshells are available with direct coupling or rotatable coupling.

45° and 90° adapters feature rotatable coupling nuts.

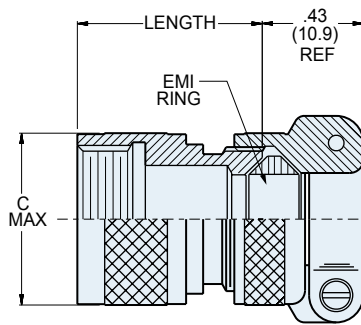
MATERIALS	
Adapter, Clamp, Nut and Saddles	Aluminum Alloy 6061-T6 or 300 Series Stainless Steel
O-Rings	Silicone Rubber
Hardware	300 Series Stainless Steel

HOW TO ORDER															
Sample Part Number															
380MS137	M	07	04-	6	N										
Part Number	Shell Material / Finish	Size Code		Cable Entry Code	Length		Clamp Style								
 380MS137 Straight Entry, Rotatable Coupling	M Aluminum / Electroless Nickel NF Aluminum / Cadmium with Olive Drab Chromate ZN Aluminum / Zinc-Nickel with Olive Drab Chromate ZNU Aluminum / Zinc-Nickel with Black Chromate Z1 Stainless Steel / Passivated	05	.2500-32	01-	.11	Straight Entry 380MS Only		 Omit for screw clamp with saddle bars  N Optional Compression Nut, Low Profile							
						Length Code	Length (Inches)								
		 380MS135 Straight Entry, Direct Coupling	06 .3125-32 11 .3750-32 07 .4375-28 08 .5000-28 09 .5625-24 10 .6250-24 12 .6875-24 13 .7500-20 14 .9375-20	02- 03- 04- 05- 06- 07- 08- 09-	Cable Entry Code Saddle Clamp Dia. Fully Closed	Length Code Length (Inches)	5 .625 6 .750 7 .875 8 1.000 9 1.125 10 1.250 11 1.375 12 1.500 13 1.625 14 1.750 15 1.875 16 2.000 17 2.125 18 2.250 19 2.375 20 2.500		Specify length in increments of .125 inches (3.18 mm.)						
										 380MB137 45° Entry	01- 02- 03- 04- 05- 06- 07- 08- 09-	Cable Entry Code Saddle Clamp Dia. Fully Closed	Length Code Length (Inches)	5 .625 6 .750 7 .875 8 1.000 9 1.125 10 1.250 11 1.375 12 1.500 13 1.625 14 1.750 15 1.875 16 2.000 17 2.125 18 2.250 19 2.375 20 2.500	Specify length in increments of .125 inches (3.18 mm.)

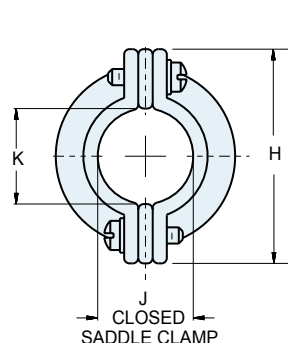
EMI Backshells



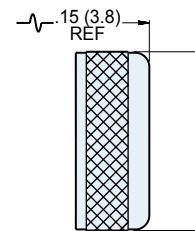
STRAIGHT ENTRY
ROTATABLE COUPLING
380MS137



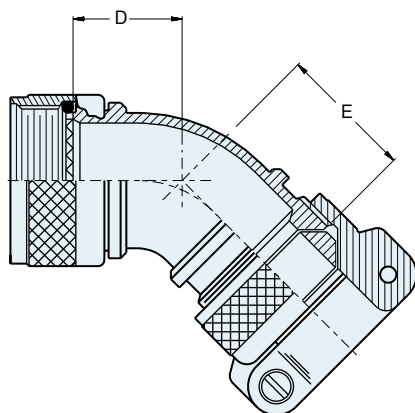
STRAIGHT ENTRY
DIRECT COUPLING
380MS135



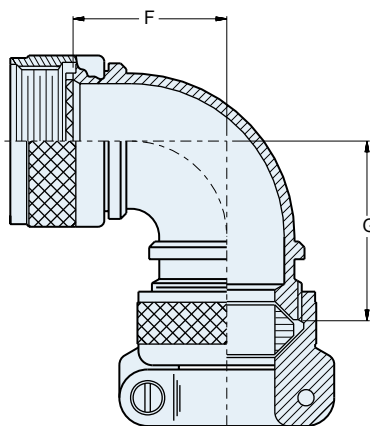
CLOSED
SADDLE CLAMP



CLAMP STYLE N
COMPRESSION NUT



45° ENTRY
ROTATABLE COUPLING
380MB137



90° ENTRY
ROTATABLE COUPLING
380MA137

DIMENSIONS

Size Code	A Thds.	B Max.		C Max.		Std. Length*	
		In.	mm.	In.	mm.	In.	mm.
05	2500-32	.470	11.94	.350	8.89	.750	19.05
06	3125-32	.530	13.46	.415	10.54	.750	19.05
11	3750-32	.570	14.48	.465	11.68	.750	19.05
07	4375-28	.637	16.18	.530	13.46	.750	19.05
08	5000-28	.700	17.78	.595	15.11	.750	19.05
09	5625-24	.758	19.25	.650	16.51	.750	19.05
10	6250-24	.819	20.80	.715	18.16	.750	19.05
12	6875-24	.896	22.76	.785	19.94	.880	22.35
13	7500-20	.930	23.62	.830	21.08	.880	22.35
14	9375-20	1.137	28.88	1.020	25.91	1.000	25.40

*Choose standard length for best availability

DIMENSIONS

Cable Entry Code	D Max.		E Max.		F Max.		G Max.		H		Ø J Closed		Ø K		Ø L	
	In.	mm.	In.	mm.	In.	mm.	In.	mm.	± .015	± 0.38	In.	mm.	± .015	± 0.38	In.	mm.
01	.603	15.32	.581	14.76	.724	18.39	.702	17.83	.496	12.60	.110	2.79	.119	3.02	.398	10.11
02	.603	15.32	.581	14.76	.724	18.39	.702	17.83	.582	14.78	.170	4.32	.182	4.62	.460	11.68
03	.603	15.32	.581	14.76	.724	18.39	.702	17.83	.656	16.66	.230	5.84	.244	6.20	.523	13.28
04	.629	15.98	.607	15.42	.786	19.96	.764	19.41	.726	18.44	.300	7.62	.307	7.80	.585	14.86
05	.629	15.98	.607	15.42	.786	19.96	.764	19.41	.885	22.48	.360	9.14	.369	9.37	.647	16.43
06	.655	16.64	.633	16.00	.848	21.54	.826	20.98	.952	24.18	.420	10.67	.432	10.97	.710	18.03
07	.655	16.64	.633	16.00	.848	21.54	.826	20.98	1.018	25.86	.480	12.19	.494	12.55	.773	19.63
08	.707	17.96	.685	17.40	.911	23.14	.889	22.58	1.084	27.53	.550	13.97	.557	14.15	.835	21.21
09	.707	17.96	.685	17.40	.911	23.14	.889	22.58	1.148	29.16	.610	15.49	.619	15.72	.897	22.78