

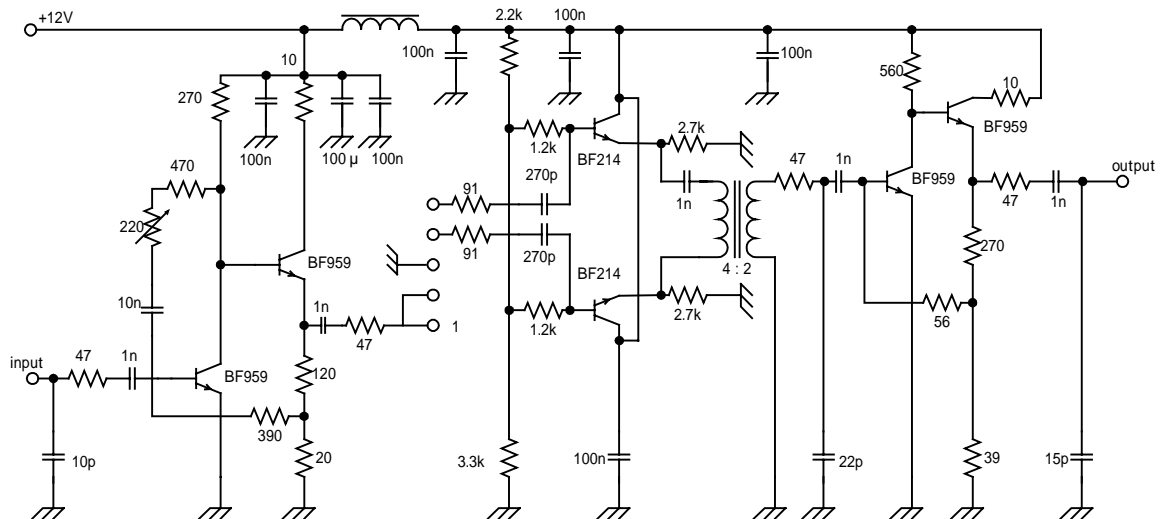
Customer Name	<b>Standard specification</b>	FUJITSU MEDIA DEVICES LIMITED	
Application	IF Filter for Digital Terrestrial TV (Switchable)		
Picture Carrier Frequency	36.00MHz	DATE	July 07, 2005
FMD Part Number	FAR-K4SH-36M000-L0E1	Version	2.1

**Table 1-1 Electrical Specification (Ta=25°C)**

Channel 1 (BW=6.4MHz)		Pin No.1&2=INPUT		Pin No.3=GROUND		Unit	Remarks
Items	Conditions	Min.	Typ.	Max.			
<b>Insertion Loss</b>	36.00 MHz	18.2	19.7	21.2		dB	
<b>Pass bandwidth</b>	relative attenuation<1.5dB	-	6.02	-		MHz	
	relative attenuation<3.0dB	-	6.32	-		MHz	
	relative attenuation<15dB	-	7.37	-		MHz	
	relative attenuation<30dB	-	8.00	-		MHz	
<b>Relative attenuation</b>	31.42MHz	32	38	-		dB	
	39.67MHz	11	13	-		dB	
	39.92MHz	19	24	-		dB	
	25~31.42MHz	30	36	-		dB	
	40.2~45MHz	30	34	-		dB	
<b>Group delay ripple</b>	32.9~39.1MHz	-	35	-		nsp-p	
<b>Impedance</b> at 36MHz	Input kohms//pF	-	2.1//15.8	-			
	Output kohms//pF	-	2.3//5.3	-			
<b>Temperature coefficient</b>		---	-72	---		ppm/°C	

**MEASURING CIRCUIT**

Characteristics of Channel 1 (switching pin 2 connected to pin)



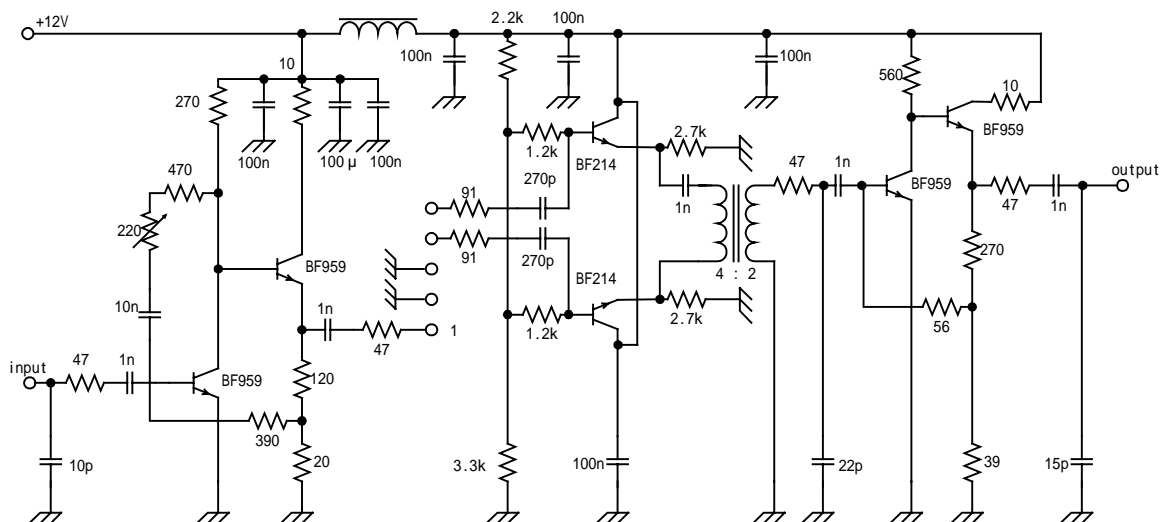
Customer Name	<b>Standard specification</b>	FUJITSU MEDIA DEVICES LIMITED	
Application	IF Filter for Digital Terrestrial TV (Switchable)		
Picture Carrier Frequency	36.00MHz	DATE	July 07, 2005
FMD Part Number	FAR-K4SH-36M000-L0E1	Version	2.1

**Table 1-2 Electrical Specification (Ta=25°C)**

Channel 2 (BW=7.4MHz)		Pin No.1=INPUT			Pin No.2&3=GROUND	
Items	Conditions	Specification			Unit	Remarks
		Min.	Typ.	Max.		
<b>Insertion Loss</b>	36.00 MHz	18.4	19.9	21.4	dB	
<b>Pass bandwidth</b>	relative attenuation<1.5dB	-	6.72	-	MHz	
	relative attenuation<3.0dB	-	7.17	-	MHz	
	relative attenuation<15dB	-	8.35	-	MHz	
	relative attenuation<30dB	-	9.01	-	MHz	
<b>Relative attenuation</b>	30.75MHz	36	51	-	dB	
	40.25MHz	12.5	17	-	dB	
	40.75MHz	29	42	-	dB	
	41.00MHz	31	45	-	dB	
	41.25MHz	33	44	-	dB	
	25~30.75MHz	36	38	-	dB	
	41.25~45MHz	32	35	-	dB	
<b>Group delay ripple</b>	32.4~39.6MHz	-	56	-	nsp-p	
<b>Impedance</b> at 36MHz	Input kohms//pF	-	1.5//20.8	-		
	Output kohms//pF	-	2.3//5.3	-		
<b>Temperature coefficient</b>		---	-72	---	ppm/°C	

**MEASURING CIRCUIT**

Characteristics of Channel 2 ( switching pin 2 connected to ground )



Customer Name	<b>Standard specification</b>	FUJITSU MEDIA DEVICES LIMITED	
Application	IF Filter for Digital Terrestrial TV (Switchable)		
Picture Carrier Frequency	36.00MHz	DATE	July 07, 2005
FMD Part Number	FAR-K4SH-36M000-L0E1	Version	2.1

● **Dimensions**

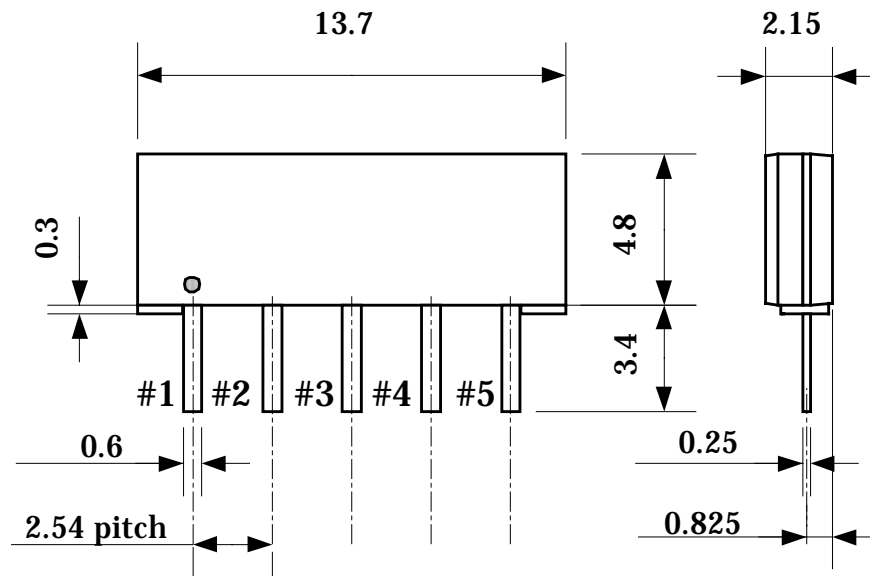


Fig.1

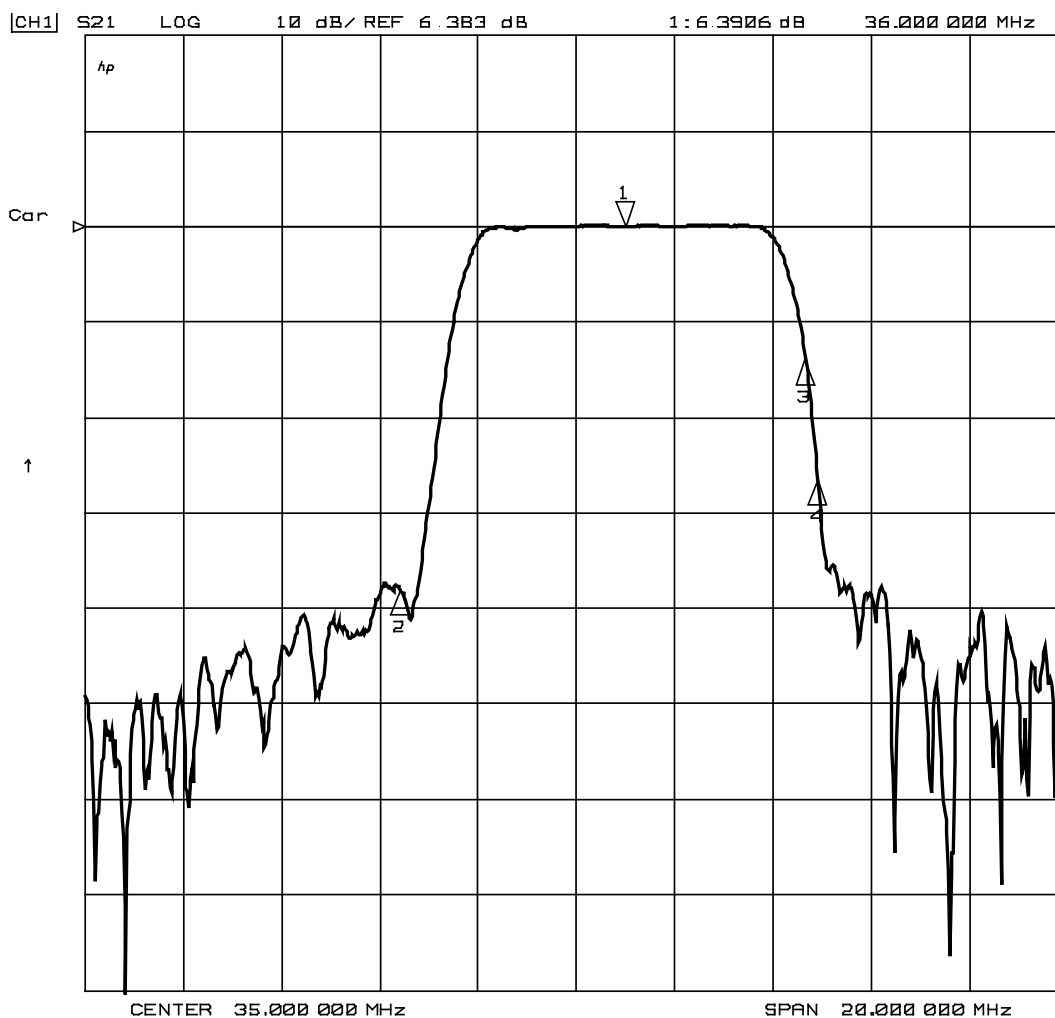
● **Pin Configuration**

Table 2

Pin No.	Symbol	Function
#1	IN	Input
#2	SW	Switching
#3	GND	Ground
#4	OUT	Output
#5	OUT	Output

Customer Name	<b>Standard specification</b>	FUJITSU MEDIA DEVICES LIMITED	
Application	IF Filter for Digital Terrestrial TV (Switchable)		
Picture Carrier Frequency	36.00MHz	DATE	July 07, 2005
FMD Part Number	FAR-K4SH-36M000-L0E1	Version	2.1

Amplitude Response [Channel1-BW=6.4MHz] (10dB/div)



Marker1 : 36.00 MHz

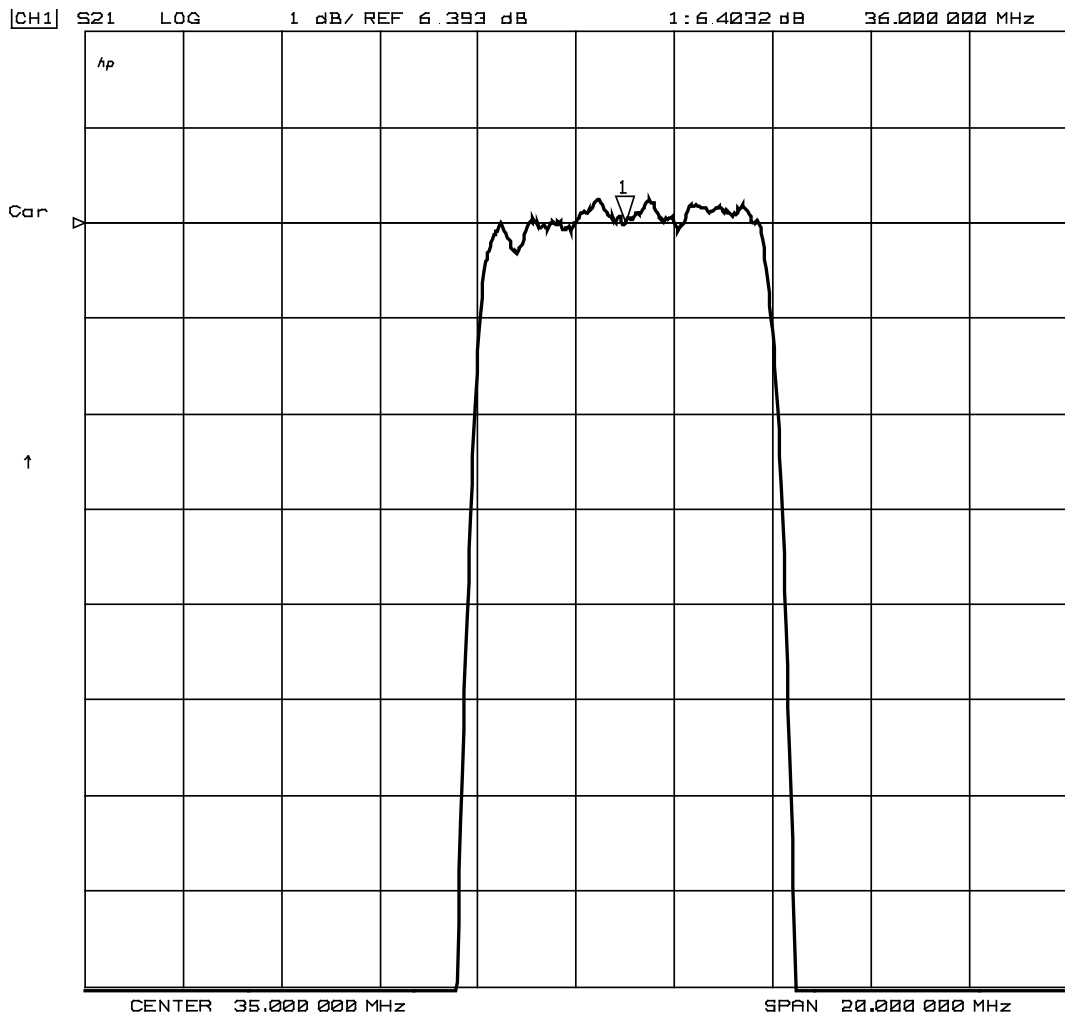
Marker2 : 31.42 MHz

Marker3 : 39.67 MHz

Marker4 : 39.92 MHz

Customer Name	<b>Standard specification</b>	FUJITSU MEDIA DEVICES LIMITED	
Application	IF Filter for Digital Terrestrial TV (Switchable)		
Picture Carrier Frequency	36.00MHz	DATE	July 07, 2005
FMD Part Number	FAR-K4SH-36M000-L0E1	Version	2.1

Amplitude Response [Channel1-BW=6.4MHz] (1dB/div)

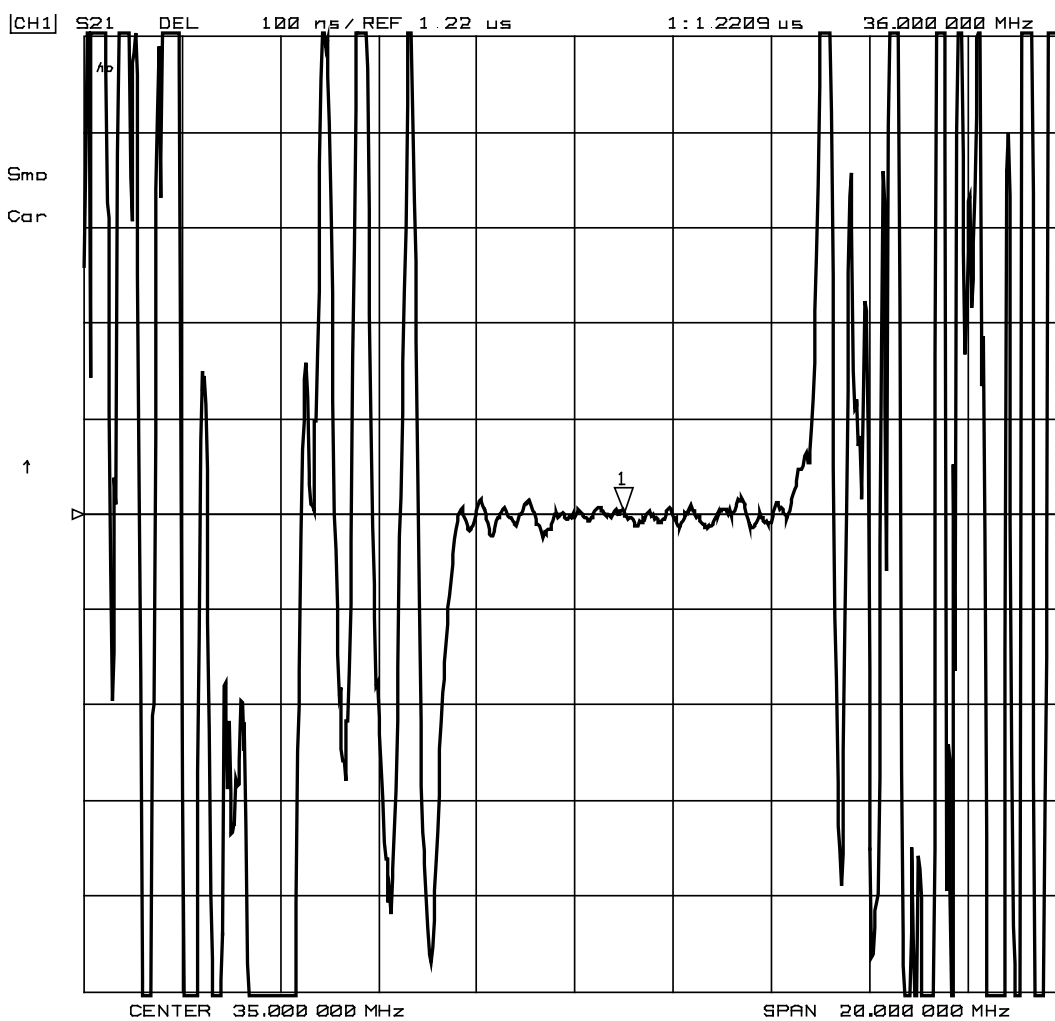


Marker1 : 36.00 MHz

Customer Name	<b>Standard specification</b>	FUJITSU MEDIA DEVICES LIMITED	
Application	IF Filter for Digital Terrestrial TV (Switchable)		
Picture Carrier Frequency	36.00MHz	DATE	July 07, 2005
FMD Part Number	FAR-K4SH-36M000-L0E1	Version	2.1

Group Delay [Channel1-BW=6.4MHz] (100ns/div)

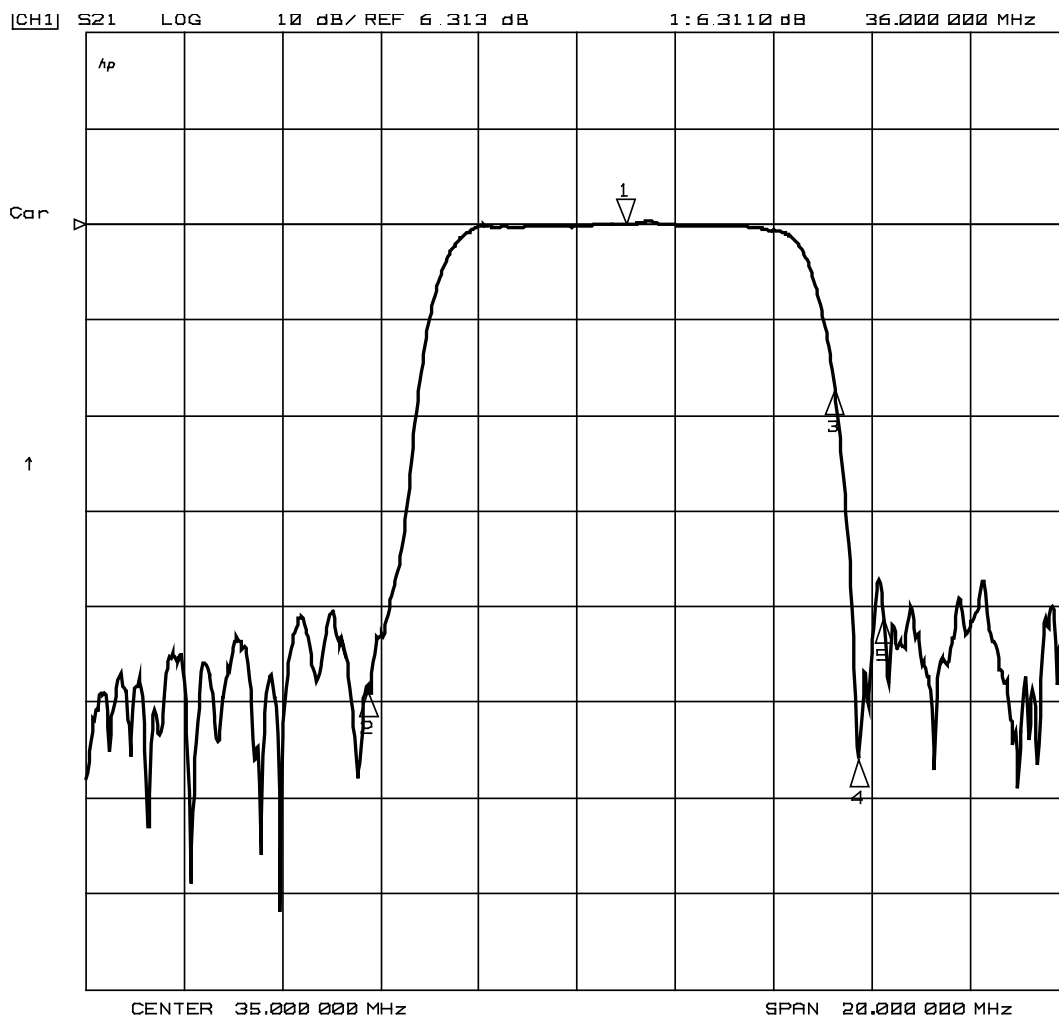
Delay Aper.=250kHz



Marker1 : 36.00 MHz

Customer Name	<b>Standard specification</b>	FUJITSU MEDIA DEVICES LIMITED	
Application	IF Filter for Digital Terrestrial TV (Switchable)		
Picture Carrier Frequency	36.00MHz	DATE	July 07, 2005
FMD Part Number	FAR-K4SH-36M000-L0E1	Version	2.1

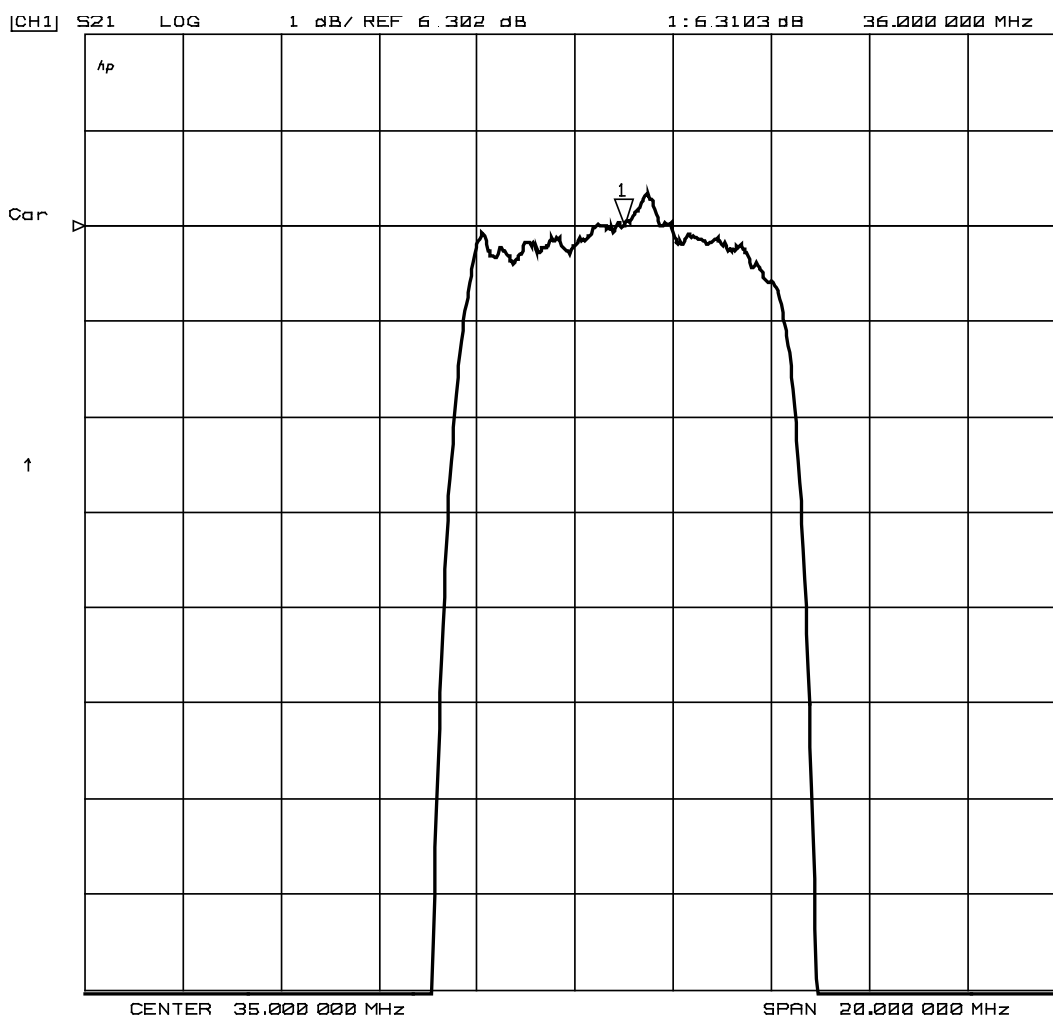
Amplitude Response [Channel2-BW=7.4MHz] (10dB/div)



- Marker1 : 36.00 MHz
- Marker2 : 30.75 MHz
- Marker3 : 40.25 MHz
- Marker4 : 40.75 MHz
- Marker5 : 41.25 MHz

Customer Name	<b>Standard specification</b>	FUJITSU MEDIA DEVICES LIMITED	
Application	IF Filter for Digital Terrestrial TV (Switchable)		
Picture Carrier Frequency	36.00MHz	DATE	July 07, 2005
FMD Part Number	FAR-K4SH-36M000-L0E1	Version	2.1

Amplitude Response [Channel2-BW=7.4MHz] (1dB/div)



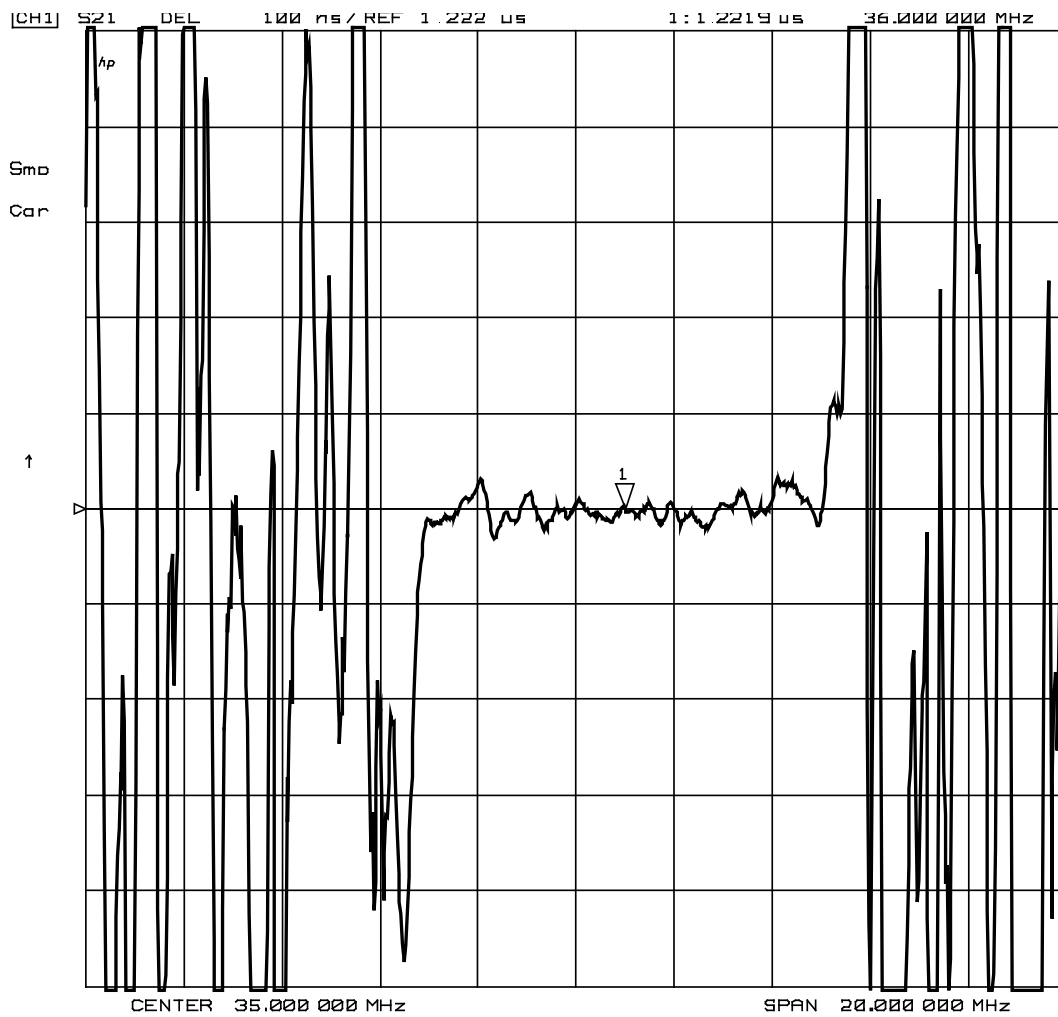
Marker1 : 36.00 MHz



Customer Name	<b>Standard specification</b>	FUJITSU MEDIA DEVICES LIMITED	
Application	IF Filter for Digital Terrestrial TV (Switchable)		
Picture Carrier Frequency	36.00MHz	DATE	July 07, 2005
FMD Part Number	FAR-K4SH-36M000-L0E1	Version	2.1

Group Delay [Channel2-BW=7.4MHz] (100ns/div)

Delay Aper. = 250kHz



Marker1 : 36.00 MHz