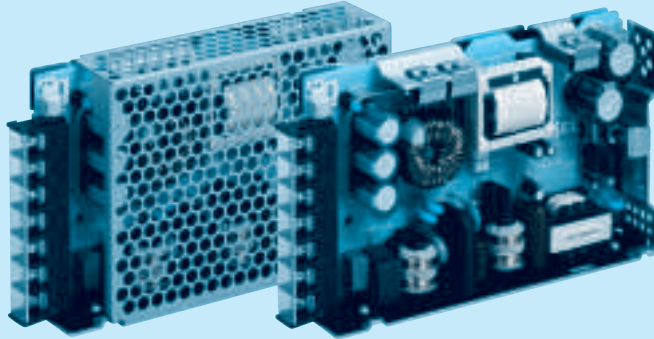




RoHS

Recommended Noise Filter
NAC-06-472High voltage pulse noise type : NAP series
Low leakage current type : NAM series
* The Noise Filter is recommended to connect with several devices.

- ① Series name
② Single output
③ Output wattage
④ Universal input
⑤ Output voltage
⑥ Optional
C : with Coating
G : Low leakage current
(0.15mA max / ACIN 240V)
E : Low leakage current
and EMI class A
(0.5mA max / ACIN 240V)
T : Vertical terminal block
J : Connector type
(Only -12,-15,-24,-36,-48)
R : with Remote ON/OFF
N : with Cover
(Only 24V UL508 is acquired)
N1 : with DIN rail
V : Output voltage setting
potentiometer external-ly

Cover is optional

| MODEL | PBA100F-3R3 | PBA100F-5 | PBA100F-9 | PBA100F-12 | PBA100F-15 | PBA100F-24 | PBA100F-36 | PBA100F-48 |
|-----------------------|-------------|-----------|-----------|------------|------------|------------|------------|------------|
| MAX OUTPUT WATTAGE[W] | 66 | 100 | 94.5 | 102 | 105 | 108 | 100.8 | 100.8 |
| DC OUTPUT | 3.3V 20A | 5V 20A | 9V 10.5A | 12V 8.5A | 15V 7A | 24V 4.5A | 36V 2.8A | 48V 2.1A |

SPECIFICATIONS

| | MODEL | PBA100F-3R3 | PBA100F-5 | PBA100F-9 | PBA100F-12 | PBA100F-15 | PBA100F-24 | PBA100F-36 | PBA100F-48 | |
|-------------------------------|---|---|--|---------------|---------------|---------------|---------------|---------------|-------------|--------|
| INPUT | VOLTAGE[V] | AC85 - 264 1 ϕ or DC120 - 370 (AC50 or DC70 Please refer to the instruction manual 2.1 Input voltage *4) | | | | | | | | |
| | CURRENT[A] | ACIN 100V | 0.9typ | 1.3typ | | | | | | |
| | | ACIN 200V | 0.5typ | 0.7typ | | | | | | |
| | FREQUENCY[Hz] | 50/60 (47 - 63) | | | | | | | | |
| | EFFICIENCY[%] | ACIN 100V | 77typ | 82typ | 80typ | 81typ | 83typ | 84typ | 84typ | 84typ |
| | | ACIN 200V | 79typ | 84typ | 82typ | 83typ | 86typ | 86typ | 86typ | 86typ |
| | POWER FACTOR(lo=100%) | ACIN 100V | 0.98typ | 0.99typ | | | | | | |
| | | ACIN 200V | 0.87typ | 0.93typ | | | | | | |
| INRUSH CURRENT[A] | ACIN 100V | 20typ (lo=100%) (At cold start) | | | | | | | | |
| | ACIN 200V | 40typ (lo=100%) (At cold start) | | | | | | | | |
| LEAKAGE CURRENT[mA] | 0.4/0.75max (ACIN 100V/240V 60Hz, lo=100%, According to IEC60950-1.DENAN) | | | | | | | | | |
| OUTPUT | VOLTAGE[V] | 3.3 | 5 | 9 | 12 | 15 | 24 | 36 | 48 | |
| | CURRENT[A] | 20 | 20 | 10.5 | 8.5 | 7 | 4.5 | 2.8 | 2.1 | |
| | LINE REGULATION[mV] | 20max | 20max | 36max | 48max | 60max | 96max | 144max | 192max | |
| | LOAD REGULATION[mV] | 40max | 40max | 100max | 100max | 120max | 150max | 240max | 240max | |
| | RIPPLE[mVp-p] | 0 to +50°C *1 | 80max | 80max | 120max | 120max | 120max | 120max | 150max | 150max |
| | | -10 - 0°C *1 | 140max | 140max | 160max | 160max | 160max | 160max | 200max | 200max |
| | RIPPLE NOISE[mVp-p] | 0 to +50°C *1 | 120max | 120max | 150max | 150max | 150max | 150max | 250max | 250max |
| | | -10 - 0°C *1 | 160max | 160max | 180max | 180max | 180max | 180max | 300max | 300max |
| | TEMPERATURE REGULATION[mV] | 0 to +50°C | 50max | 50max | 90max | 120max | 150max | 240max | 360max | 480max |
| | | -10 to +50°C | 60max | 60max | 120max | 150max | 180max | 290max | 450max | 600max |
| | DRIFT[mV] | *2 | 20max | 20max | 36max | 48max | 60max | 96max | 144max | 192max |
| | START-UP TIME[ms] | 350typ(ACIN 100V, lo=100%) | | | | | | | | |
| | HOLD-UP TIME[ms] | 20typ (ACIN 100V, lo=100%) | | | | | | | | |
| | OUTPUT VOLTAGE ADJUSTMENT RANGE[V] | 2.85 - 3.63 | 4.00 - 5.50 | 7.50 - 10.0 | 10.0 - 13.2 | 13.2 - 18.0 | 19.2 - 27.0 | 28.8 - 39.6 | 39.0 - 53.0 | |
| OUTPUT VOLTAGE SETTING[V] | 3.20 - 3.40 | 5.00 - 5.15 | 9.00 - 9.36 | 12.00 - 12.48 | 15.00 - 15.60 | 24.00 - 24.96 | 36.00 - 37.44 | 48.00 - 49.92 | | |
| PROTECTION CIRCUIT AND OTHERS | OVERCURRENT PROTECTION | Works over 105% of rated current and recovers automatically | | | | | | | | |
| | OVERVOLTAGE PROTECTION[V] | 4.00 - 5.25 | 5.75 - 7.00 | 11.5 - 14.0 | 15.0 - 18.0 | 20.0 - 25.0 | 30.0 - 37.0 | 43.0 - 50.0 | 58.0 - 65.0 | |
| | OPERATING INDICATION | LED (Green) | | | | | | | | |
| | REMOTE SENSING | Optional (Only -3R3, -5 Option -K) | | | | | | | | |
| ISOLATION | REMOTE ON/OFF | Optional (Required external power source) | | | | | | | | |
| | INPUT-OUTPUT · RC | *3 | AC3,000V 1minute, Cutoff current = 10mA, DC500V 50M Ω min (At Room Temperature) | | | | | | | |
| | INPUT-FG | *3 | AC2,000V 1minute, Cutoff current = 10mA, DC500V 50M Ω min (At Room Temperature) | | | | | | | |
| ENVIRONMENT | OUTPUT · RC-FG | *3 | AC500V 1minute, Cutoff current = 100mA, DC500V 50M Ω min (At Room Temperature) | | | | | | | |
| | OPERATING TEMP.,HUMID.AND ALTITUDE | -10 to +71°C (Required Derating), 20 - 90%RH (Non condensing) 3,000m (10,000feet) max | | | | | | | | |
| | STORAGE TEMP.,HUMID.AND ALTITUDE | -20 to +75°C, 20 - 90%RH (Non condensing) 3,000m (10,000feet) max | | | | | | | | |
| | VIBRATION | 10 - 55Hz, 19.6m/s ² (2G), 3minutes period, 60minutes each along X, Y and Z axis | | | | | | | | |
| SAFETY AND NOISE REGULATIONS | IMPACT | 196.1m/s ² (20G), 11ms, once each X, Y and Z axis | | | | | | | | |
| | AGENCY APPROVALS (At only AC input) | UL60950-1, C-UL(CSA60950-1), EN60950-1, EN50178 Complies with DEN-AN | | | | | | | | |
| | CONDUCTED NOISE | Complies with FCC Part15 classB, VCCI-B, CISPR22-B, EN55011-B, EN55022-B | | | | | | | | |
| | CE MARKING | Low Voltage Directive, EMC Directive | | | | | | | | |
| OTHERS | HARMONIC ATTENUATOR | Complies with IEC61000-3-2 | | | | | | | | |
| | CASE SIZE/WEIGHT | 32 X 93 X 147mm (without terminal block) (W X H X D) / 440g max (without cover) | | | | | | | | |
| | COOLING METHOD | Convection | | | | | | | | |

- *1 Measured by 20MHz oscilloscope or Ripple-Noise meter(equivalent to KEISOKU-GIKEN :RM101).
*2 Drift is the change in DC output for an eight hour period after a half-hour warm-up at 25°C.
*3 Applicable when Remote ON/OFF(optional) is added. RC is insulated with input, output and FG.
*4 Derating is required.

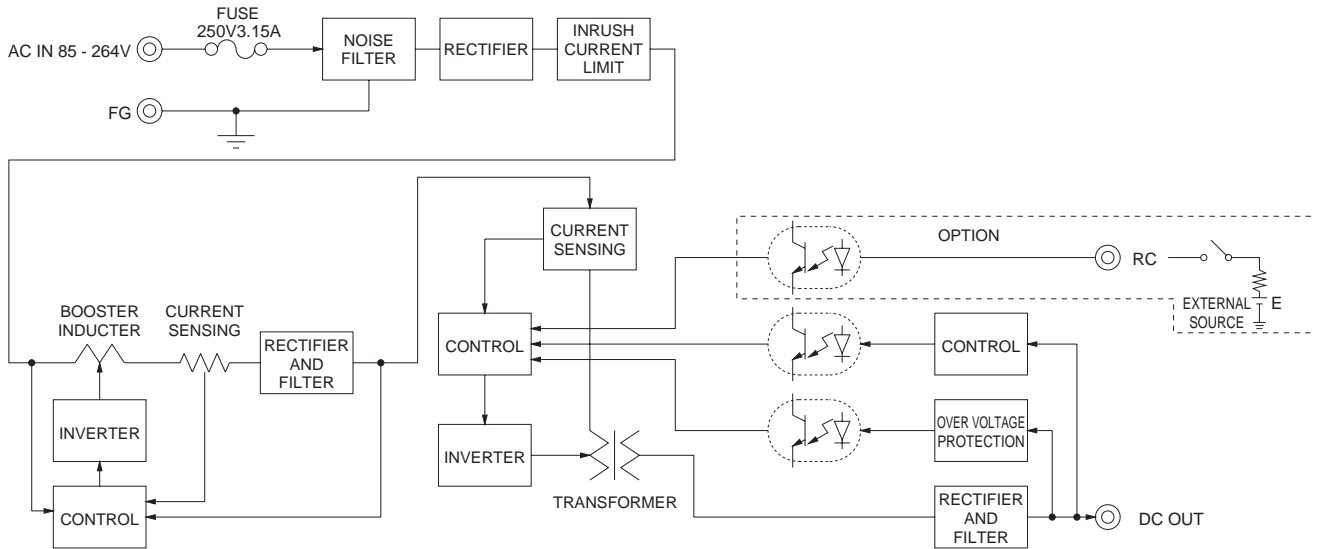
- * Parallel operation with other model is not possible.
* Derating is required when operated with cover.
* A sound may occur from power supply at peak loading.

Distribution:

RSG Electronic Components GmbH ■ Sprendlinger Landstr. 115 ■ D-63069 Offenbach/Germany
Tel. +49 69 984047-0 ■ Fax +49 69 984047-77 ■ info@rsg-electronic.de ■ www.rsg-electronic.de

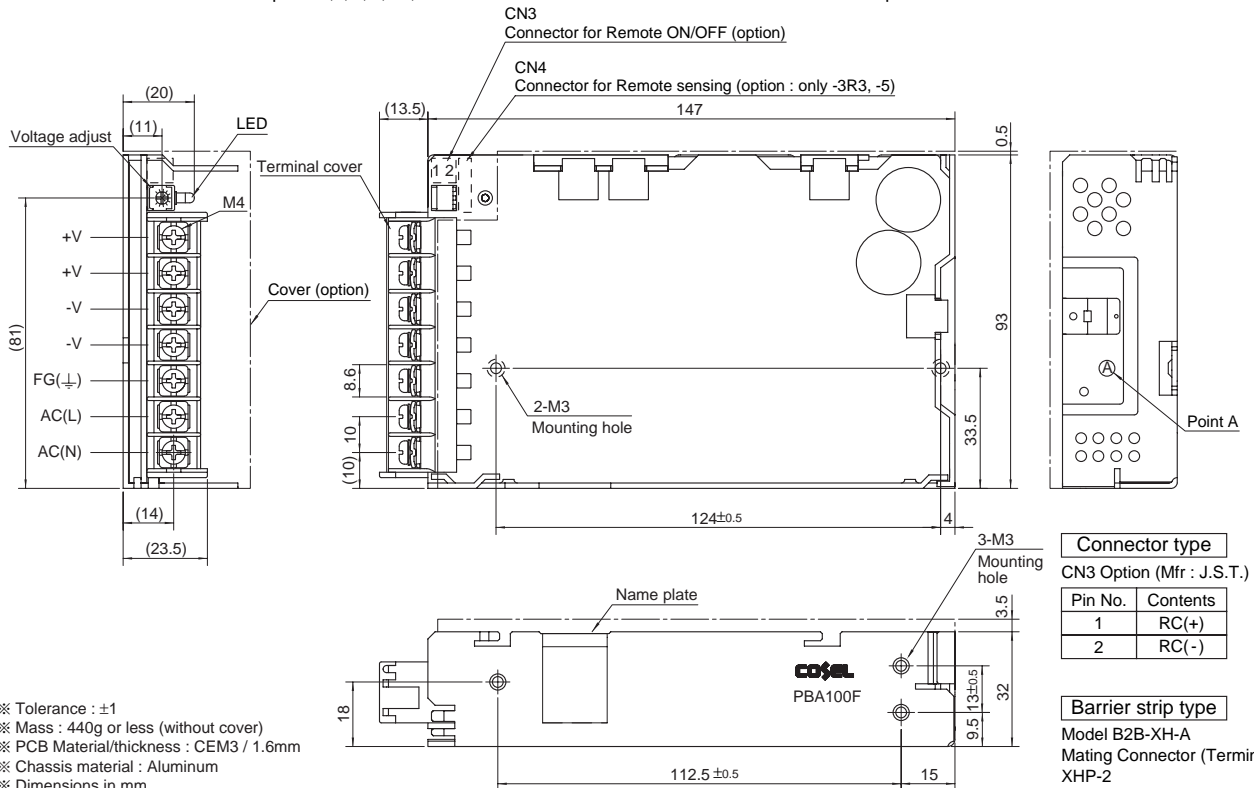
Änderungen vorbehalten / subject to change without notice

Block diagram



External view

※ External size of option T,J,R,N,N1,V and K is different from standard model and refer to 7 Option of instruction manual for details.



Connector type
CN3 Option (Mfr : J.S.T.)

| Pin No. | Contents |
|---------|----------|
| 1 | RC(+) |
| 2 | RC(-) |

Barrier strip type
Model B2B-XH-A
Mating Connector (Terminal)
XHP-2
(BXH-001T-P0.6
or SXH-001T-P0.6)

- ※ Tolerance : ±1
- ※ Mass : 440g or less (without cover)
- ※ PCB Material/thickness : CEM3 / 1.6mm
- ※ Chassis material : Aluminum
- ※ Dimensions in mm
- ※ Mounting torque : 0.49N • m(5kgf • cm)max
- ※ Mounting torque : M4:1.6N • m(16.9kgf • cm)max
- ※ Please connect safety ground to FG terminal on the unit.

Distribution:

RSG Electronic Components GmbH ■ Spremlinger Landstr. 115 ■ D-63069 Offenbach/Germany
Tel. +49 69 984047-0 ■ Fax +49 69 984047-77 ■ info@rsg-electronic.de ■ www.rsg-electronic.de

Änderungen vorbehalten / subject to change without notice