

PPC-154T

15" Panel PC Panel PC with
Intel® Pentium® 4 Processor



Features

- 15" TFT XGA LCD
- Intel® Pentium® 4 processor up to 3.06 GHz
- System memory up to 2 GB DDR SDRAM
- Built-in FDD/CD-ROM drive
- Built-in PCMCIA Type II x 2
- 10/100 Mbps Ethernet (Gigabit optional)
- Optional 6-in-1 card reader (MS, SD, SM, MC and CF type I/II sockets)
- Resistive, capacitive, SAW and infrared touchscreen are available



Introduction

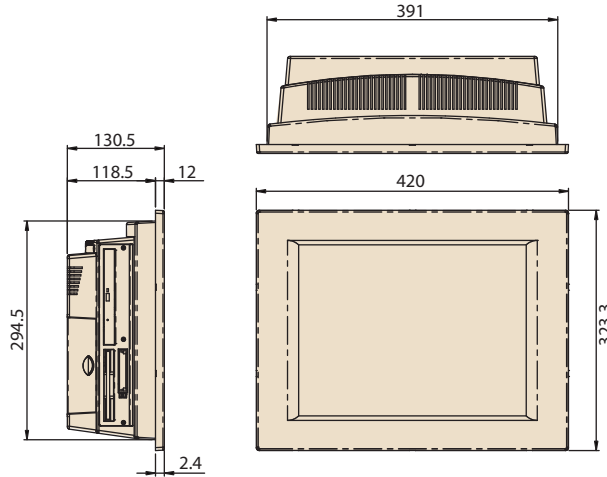
The PPC-154T is an Intel Pentium 4 based Panel PC with 15" color TFT LCD (resolution up to 1024 x 768). It features multimedia devices, various connectors, and can be installed in virtually any application. In addition, its user-friendly interface makes it a great host for information appliances.

Specifications

Processor System	CPU	Supports Socket 478 based Pentium 4 CPU up to 3.06 GHz	
	Disk Drive Housing	Room for 1 x 2.5" HDD	
	Dimensions (W x H x D)	420 x 323.3 x 130.5 mm (16.54" x 12.72" x 5.12")	
	Weight	7 kg (15.4 lb)	
	Front Panel Protection	IP65/NEMA 4 compliant (not for SAW model)	
	HDD	IDE HDD interface (2.5" HDD bay), SATA interface is available, but converter board needed.	
	CD-ROM Drive	Compact 24X or above	
	DVD+/RW Drive	Optional 8X or above	
	Combo Drive	Optional DVD/CD-RW 8D/24W/24E/24R or above	
	Memory	Supports up to 2 GB DDR SDRAM (184-pin)	
	FDD	Supports 720 KB / 1.44 MB FDD	
I/O Ports	Network (LAN)	10/100 Mbps Ethernet interface (Gigabit optional)	
	I/O Ports	- 2 x serial ports: 1 x RS-232, 1 x RS-232/422/485	- 2 x IEEE 1394 ports
		- 1 x parallel port, 4 x USB 2.0 ports	- 6-in-1 card reader: supports CompactFlash, Micro Drive, Smart Media, Secure Digital, Memory Stick & Multimedia Card
		- 2 x PCMCIA Type II	- S-Video port
- 1 x PS/2 mouse and keyboard interface			
- Mic-in, Line-in, Line-out			
Bus Expansion	1 x PCI expansion slot		
Environmental Specifications	Operating Temperature	0 ~ 45° C (32 ~ 113° F)	
	Relative Humidity	10 ~ 95% @ 40° C, non-condensing	
	Shock	10 G peak acceleration (11 msec. duration)	
	EMC	BSMI, VCCI, CE, FCC Class B, CCC	
	Safety	CB, CE, UL	
Power Supply	Output Rating	180 W (max.)	
	Input Voltage	100-240 V _{AC} @ 50 ~ 60 Hz	
	Output Voltage	+3.3 V @ 16.8 A, +5 V @ 12 A, +12 V @ 10 A, -12 V @ 0.8 A, +5 VSB @ 2 A	
LCD Display	Display Type	15" Color TFT LCD	
	Max. Resolution	1024 x 768	
	Max. Colors or Grayscales	262 K	
	Pixel Pitch (mm)	0.297 x 0.297	
	Luminance (cd/m2)	350	
	Contrast Ratio	400 : 1	
	Viewing Angle	60° (left), 60° (right), 40° (up), 60° (down)	
	Operating Temperature	0 ~ 50° C (32 ~ 122° F)	
	VR Controls	Brightness	
	Simultaneous Mode	Yes	
	LCD MTBF	50,000 hrs	

Dimensions

Unit: mm



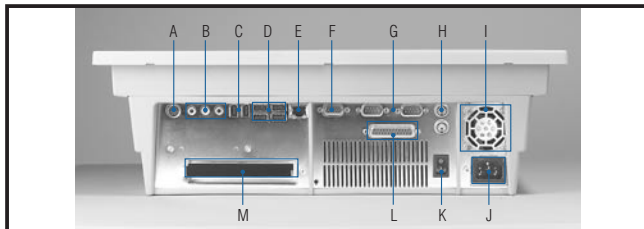
Touchscreen (Optional)	Types	Analog Resistive	Capacitive	Surface Acoustic Wave	Infrared
	Resolution	Continuous	1024 x 1024	4096 x 4096	4096 x 4096
	Light Transmission	80%	91.5%	91%	91%
	Controller	USB Interface	USB Interface	USB Interface	USB Interface
	Power Consumption	+5 V @ 200 mA	+5 V @ 100 mA	+5 V @ 150 mA	+5 V @ 150 mA
	Software Driver	Supports both DOS and Windows			
	Durability (Touches)	35 million	225 million	50 million	100,000 hrs

Ordering Information

Part No.	Description
PPC-154T-BAREE	Panel PC with 15" color TFT LCD display (resolution 1024 x 768)
PPC-154T-BARE-TE	PPC-154T with resistive touchscreen
PPC-154T-BARE-CE	PPC-154T with capacitive touchscreen
PPC-154T-BARE-SE	PPC-154T with SAW touchscreen
PPC-120 STAND	Stand kit for PPC-154/153/150 and PPC-123/120 series
PPC-154 SWINARM	Swingarm kit for PPC-154 series
PPC-120 WL-MT	Wall mount kit for PPC-154/153/150 and PPC-123/120 series
PPC-ARM-A03	VESA standard ARM for PPC-123/153/154 series series
1702002600	Power cable UL/GSA(USA) 180D 125V/10A 1.83M
9898007100E	2.5" PATA to SATA HDD Converter Board
PPC-FP-A01E	USB Fingerprint Accessory Kit
1702002605	POWER CABLE 90D 220V EUROPEAN 250V/6A 1.8M

- * Intel Pentium 4 CPU, DDR SDRAM and 2.5" HDD are available as optional items.
- * FDD, CD-ROM and PCMCIA are removable as OEM items
- * Infrared touchscreen with sunlight readable panel can be ordered via OEM process; both items can be ordered separately

Fully Integrated I/O



- A. S-Video
- B. Line-in/Line-out/Mic-in
- C. IEEE 1394 x 2
- D. USB 2.0 x 4
- E. 10/100 Mbps Ethernet (Gigabit Optional)
- F. VGA port
- G. Com port x 2
- H. PS/2 mouse & keyboard
- I. ATX Power Supply
- J. AC inlet
- K. Power Switch
- L. Parallel port
- M. PCI slot

Feature Details

Protection

To meet the requirements of a public environment, the front panel of PPC-154T complies with the IP65/NEMA 4 protection standards. Furthermore, the watchdog timer and power management features make the system secure and stable. The onboard hardware monitoring feature provides automatic protection that prevents the CPU from becoming overheated.

Networking

Two serial ports and a 10/100 Mbps Ethernet port (Gigabit optional) give the PPC-154T advanced networking capabilities, and provide a great solution for versatile applications.

Expansion

To extend functionality, the PPC-154T is designed with one expansion slot for PCI cards, four USB 2.0 (Universal Serial Bus) ports, one S-Video port, a 6-in-1 cardreader interface and one PCMCIA card bus (Type II x 2). With these expansion capabilities, the PPC-154T not only functions as an HMI, but also as a computing center to build your applications on.

Easy Maintenance

Maintaining and replacing the LCD and touchscreen are made easier through the PPC-154T's modular design. In order to replace a defective LCD or touchscreen, one merely needs to remove the front cover and LCD bracket instead of disassembling the whole system.

Touchscreen Options

Customers can choose from three optional types of standardized touchscreens: resistive, capacitive and SAW (Surface Acoustic Wave). These options make the PPC-154T a more user-friendly interface for different environments.