

HIGH POWER & HIGH VOLTAGE RESISTORS

2 WATT to 250 WATT, 15KV to 300KV



RESISTORS • CAPACITORS • COILS • DELAY LINES

SR SERIES



Term.W is RoHS compliant & 260°C compatible



- Power ratings to 250 watts, voltages to 300KV
- Wide resistance range: 50KΩ to 5000MΩ
- Standard Tolerances: ±2, 5, 10, 20%
- Excellent temperature stability
- Excellent resistance to voltage pulses
- Ferrule terminals for clip mounting



Industry's highest power film resistors!

RCD's SR Series is designed for high voltage and/or high power applications. Film construction has extremely low reactance enabling superior high-frequency performance. Insulation is resistant to moisture, solvents, and oil mediums.

The combination of high power and high voltage provides new opportunities for design engineers to obtain the utmost in performance, without the need to assemble chains of resistors in series. Applications include X-ray equipment, electron microscopes, and TWT amplifiers.

RCD Type	Max. Working Voltage*	Wattage @ 70°C**	Critical Resistance	Resistance Range	Dimensions Inch [mm]		
					L	D	H
SR15	15KV	2.0	112MΩ	50KΩ to 500M	2.05 ± .08 [52.1 ± 2]	.512±.02 [13.0±.51]	.275±.04 [7.0±1.01]
SR20	20KV	3.0	133MΩ	50KΩ to 1000M	3.23 ± .08 [82 ± 2]	.512±.02 [13.0±.51]	.275±.04 [7.0±1.01]
SR30	30KV	5.0	180MΩ	50KΩ to 2000M	3.94 ± .08 [100 ± 2]	.748±.02 [19.0±.51]	.394±.05 [10.0±1.27]
SR60	60KV	10	360MΩ	50KΩ to 5000M	7.87 ± .08 [200 ± 2]	.906±.02 [23.0±.51]	.590±.05 [14.0±1.27]
SR90	90KV	25	324MΩ	50KΩ to 5000M	11.02 ± .08 [280 ± 2]	1.18±.02 [30.0±.51]	.787±.06 [20.0±1.52]
SR120	120KV	50	288MΩ	50KΩ to 5000M	14.57 ± .08 [370 ± 2]	1.81±.02 [46.0±.51]	.787±.06 [20.0±1.52]
SR150	150KV	100	225MΩ	50KΩ to 5000M	18.50 ± .08 [470 ± 2]	1.81±.02 [46.0±.51]	.984±.06 [25.0±1.52]
SR200	200KV	150	267MΩ	100KΩ to 5000M	23.62 ± .12 [600 ± 3]	1.81±.02 [46.0±.51]	.984±.06 [25.0±1.52]
SR250	250KV	200	312MΩ	100KΩ to 5000M	31.50 ± .12 [800 ± 3]	2.12±.02 [53.8±.51]	1.26±.08 [32.0±1.52]
SR300	300KV	250	360MΩ	100KΩ to 5000M	39.37 ± .12 [1000 ± 3]	2.12±.02 [53.8±.51]	1.26±.08 [32.0±1.52]

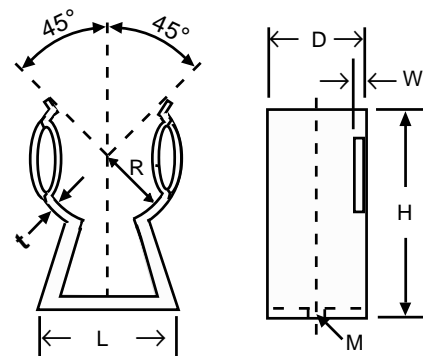
* Maximum working voltage determined by $E = \sqrt{PR}$ below the critical resistance value.

** Increased wattage ratings up to double the standard are available, consult factory.

PERFORMANCE CHARACTERISTICS

Wattage Derating (linear)	Full power @ 70°C to zero @ 125°C
Temperature Range	-25°C to +125°C
Temperature Coefficient	300 ppm/°C Typ.
Short-Time Overload*	±2.5% Max. ΔR
1000 Hour Load Life (in oil)	±5.0% Max. ΔR
Dielectric Strength	±1.0% Max. ΔR

* 2.5x rated wattage (not to exceed 1.5x max. working voltage) for 5 seconds.



MOUNTING CLIPS

(Dimensions given are nominal in inches)

P/N DESIGNATION:

RCD Type

3-Digit Resis. Code: 2 signif. digits & multiplier
eg. 503=50KΩ, 104=100KΩ, 105=1MΩ, 106=10MΩ, 107=100MΩ, 108=1000MΩ (1GΩ), etc.

Tolerance Code: F=1%, G=2%, J=5%, K=10%, M=20%

Packaging: B = Bulk (only)

Termination: W = Lead-free

SR90 - 107 - K B W

For use on Type	R	D	L	H	M	t	W
SR15, SR20	.24	.24	.51	.67	.125	.02	.04
SR30	.36	.40	.63	1.00	.165	.03	.06
SR60	.44	.59	.71	1.25	.165	.04	.06
SR90	.57	.71	.95	1.54	.256	.04	.06
SR120, SR150, SR200	.89	.79	1.42	2.36	.256	.06	.08
SR250, SR300	1.04	.98	1.77	2.75	.256	.06	.08