

**Silicon PNP Power Transistors**

**2SA839**

**DESCRIPTION**

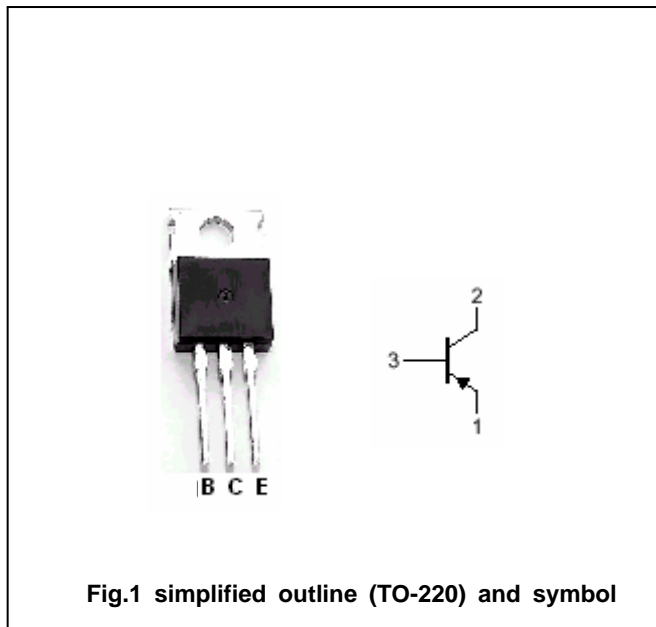
- With TO-220 package
- Complement to type 2SC1669
- High breakdown voltage

**APPLICATIONS**

- Audio power amplifier applications
- Driver stage amplifier applications

**PINNING**

PIN	DESCRIPTION
1	Emitter
2	Collector;connected to mounting base
3	Base



**Absolute maximum ratings(Ta=25 )**

SYMBOL	PARAMETER	CONDITIONS	VALUE	UNIT
$V_{CBO}$	Collector-base voltage	Open emitter	-150	V
$V_{CEO}$	Collector-emitter voltage	Open base	-150	V
$V_{EBO}$	Emitter-base voltage	Open collector	-5	V
$I_C$	Collector current		-1.5	A
$I_E$	Emitter current		1.5	A
$P_C$	Collector power dissipation	$T_C=25$	25	W
$T_j$	Junction temperature		150	
$T_{stg}$	Storage temperature		-55~150	

## Silicon PNP Power Transistors

## 2SA839

## CHARACTERISTICS

T<sub>j</sub>=25 unless otherwise specified

SYMBOL	PARAMETER	CONDITIONS	MIN	TYP.	MAX	UNIT
V <sub>(BR)CEO</sub>	Collector-emitter breakdown voltage	I <sub>C</sub> =-10mA, I <sub>B</sub> =0	-150			V
V <sub>(BR)EBO</sub>	Emitter-base breakdown voltage	I <sub>E</sub> =-1mA, I <sub>C</sub> =0	-5			V
V <sub>CEsat</sub>	Collector-emitter saturation voltage	I <sub>C</sub> =-0.5A; I <sub>B</sub> =-50mA			-1.5	V
V <sub>BE</sub>	Base-emitter on voltage	I <sub>C</sub> =-0.5A; V <sub>CE</sub> =-10V			-1.0	V
I <sub>CBO</sub>	Collector cut-off current	V <sub>CB</sub> =-100V; I <sub>E</sub> =0			-20	μA
I <sub>EBO</sub>	Emitter cut-off current	V <sub>EB</sub> =-5V; I <sub>C</sub> =0			-10	μA
h <sub>FE-1</sub>	DC current gain	I <sub>C</sub> =-0.5A; V <sub>CE</sub> =-10V	40		240	
h <sub>FE-2</sub>	DC current gain	I <sub>C</sub> =-1A; V <sub>CE</sub> =-10V	20			
C <sub>OB</sub>	Output capacitance	I <sub>E</sub> =0; V <sub>CB</sub> =-10V; f=1MHz		100		pF
f <sub>T</sub>	Transition frequency	I <sub>C</sub> =-0.5A; V <sub>CE</sub> =-10V		6		MHz

◆ h<sub>FE-1</sub> Classifications

R	O	Y
40-80	70-140	120-240

Silicon PNP Power Transistors

2SA839

PACKAGE OUTLINE

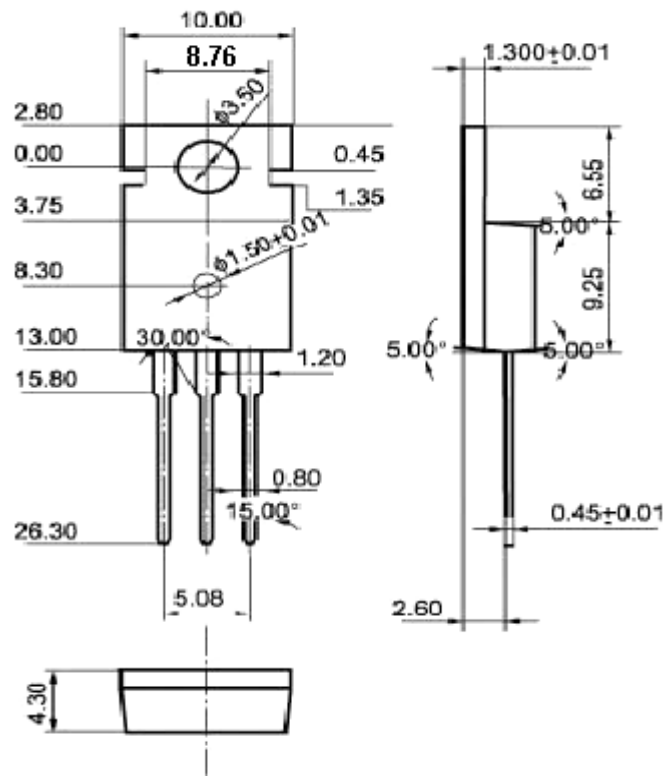


Fig.2 Outline dimensions(unindicated tolerance:  $\pm 0.10$  mm)