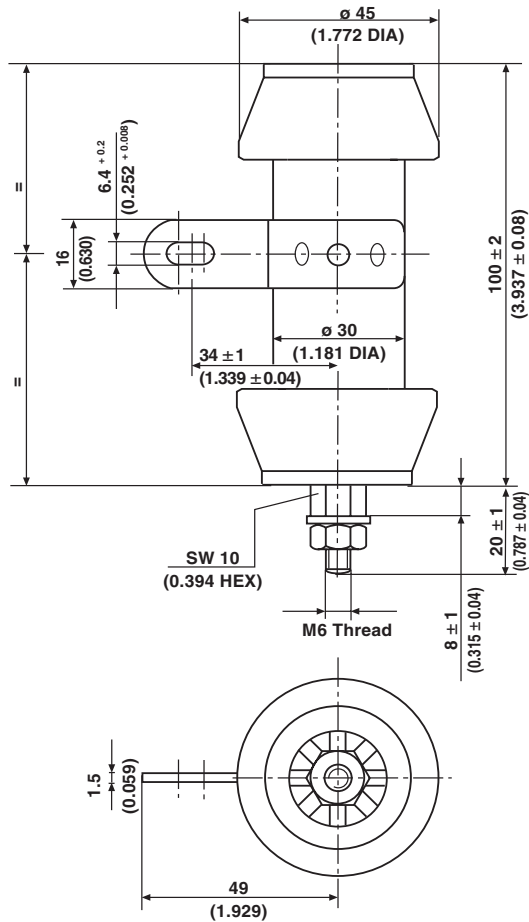
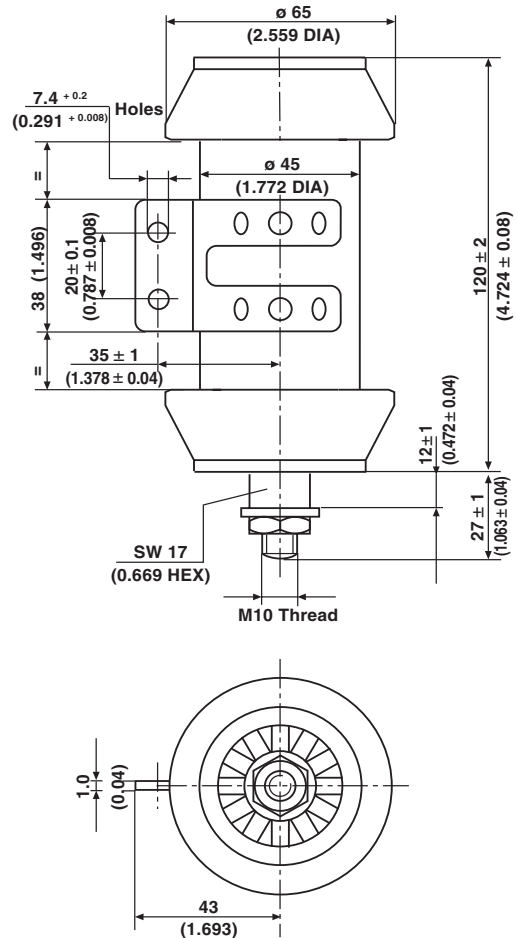


Tubular Capacitors, Screw & Band Mounting

RD 030100 7 KV_P to 8 KV_P



RD 045120 10 KV_P to 11 KV_P



• Dimensions in millimeters (inches)

MATERIAL:

Capacitor elements made from Class 1 ceramic dielectric with noble metal electrodes.
Connection terminals: Copper/brass, silver plated.

FINISH:

Noble metal electrodes completely laquered.
Insulating rims glazed.

MARKING:

Type designator, Capacitance value and tolerance, Rated voltage (peak value), Production date code, Ceramic material code, DRALORIC Logo.

ACCESSORIES ADDED:

Hex. nuts and washers.

ORDERING INFORMATION

RD 030100	8 KV _P	1200 pF	± 20 %	R 85
MODEL	RATED VOLTAGE	CAPACITANCE VALUE	TOLERANCE	CERAMIC



RD 030100				
CERAMIC	CAPACITANCE VALUE [pF]	RATED VOLTAGE [KV_P]	RATED POWER [KVA_r]	RATED CURRENT [A_{RMS}]
R 7	100	8	30	30
	120			
R 16	160			
	200			
R 42	250			
	300			
	400			
	500			
R 85	600			
	800			
	1000			
	1200			
	1500			
		7		

RD 045120				
CERAMIC	CAPACITANCE VALUE [pF]	RATED VOLTAGE [KV_P]	RATED POWER [KVA_r]	RATED CURRENT [A_{RMS}]
R 16	200	11	60	50
	250			
	300			
R 42	400	11	60	50
	500			
	600	10		
	800			
R 85	1000	11	60	50
	1200	10		
	1500			
R 230	2000	11	60	50
	3000			
	4700	10		

CAPACITANCE TOLERANCES: ± 20 %, ± 10 %, ± 5 %
Other capacitance values and tolerances are available on request.



Disclaimer

All product specifications and data are subject to change without notice.

Vishay Intertechnology, Inc., its affiliates, agents, and employees, and all persons acting on its or their behalf (collectively, "Vishay"), disclaim any and all liability for any errors, inaccuracies or incompleteness contained herein or in any other disclosure relating to any product.

Vishay disclaims any and all liability arising out of the use or application of any product described herein or of any information provided herein to the maximum extent permitted by law. The product specifications do not expand or otherwise modify Vishay's terms and conditions of purchase, including but not limited to the warranty expressed therein, which apply to these products.

No license, express or implied, by estoppel or otherwise, to any intellectual property rights is granted by this document or by any conduct of Vishay.

The products shown herein are not designed for use in medical, life-saving, or life-sustaining applications unless otherwise expressly indicated. Customers using or selling Vishay products not expressly indicated for use in such applications do so entirely at their own risk and agree to fully indemnify Vishay for any damages arising or resulting from such use or sale. Please contact authorized Vishay personnel to obtain written terms and conditions regarding products designed for such applications.

Product names and markings noted herein may be trademarks of their respective owners.