

Spec No.	SS-022
Data	Oct 30, 2003
Version	First

SPECIFICATION

Product name : Rodan Spark Gap

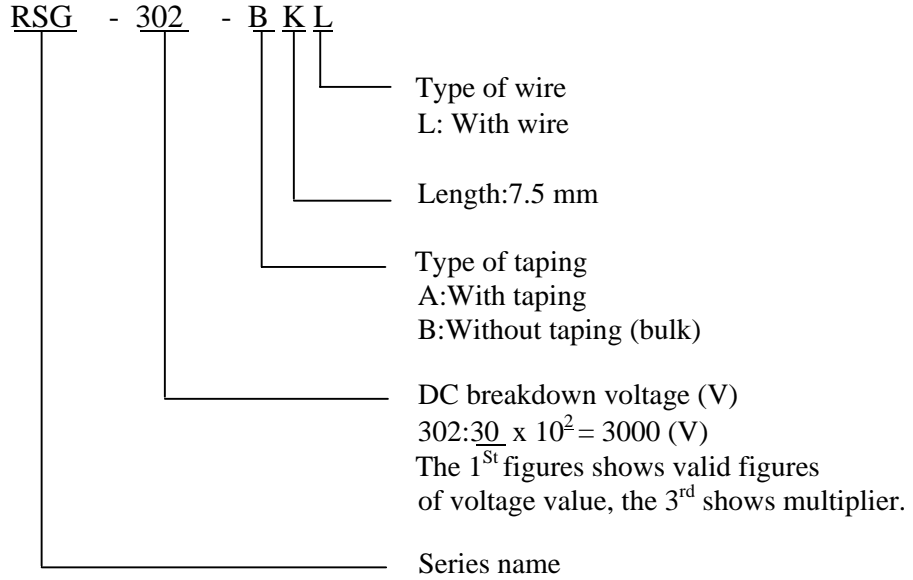
Type : RSG-302-BKL



Spec No.	SS-022
Data	Oct 30, 2003
Version	First

1. Scope This specification covers Rodan Spark Gap RSG-302-BKL.

2. Type designation



3. Appearance Structure

3-1 Dimension Refer to drawing 4R-4198-Y85

3-2 Display and contents Marking must not be disappeared easily, and it has to be identified.

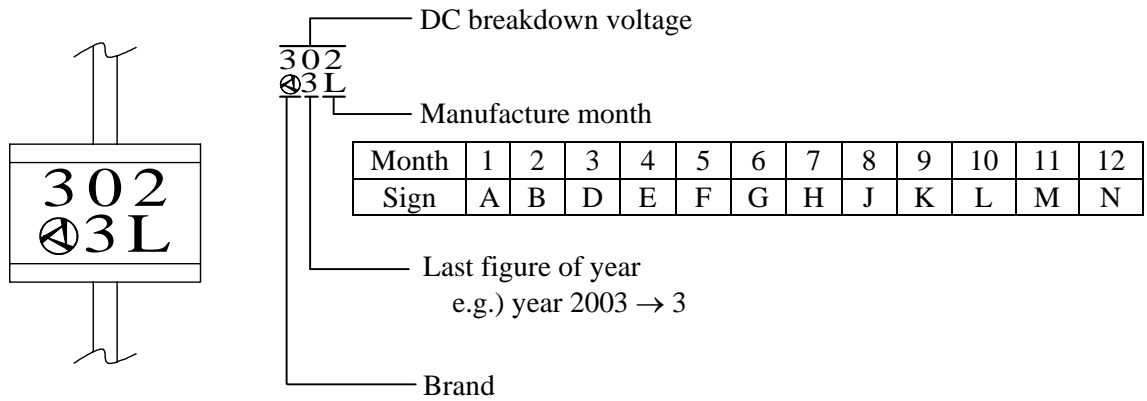
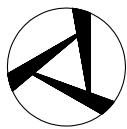


Fig.1 Example of marking

3-3 Materials Ceramic, Electrode, Lead wire etc

3-4 Plating treatment Tinning

3-5 Filler gas Ar, mixed gas (This product doesn't use radioisotope.)



Spec No.	SS-022	P: 3/5
Data	Oct 30, 2003	
Version	First	

4. Electrical characteristics

No.	Item	Mark	Test condition	Standard values	
1	DC breakdown voltage	Ez	Peak current	100 A Max	3000 V ⁺²⁰ ₋₁₅ %
			Switching frequency	100 Hz Max	
			Switching times	1 s Max	
			Ambient temperature	Room temperature	
			Test circuit		
2	Insulation resistance	IR	DC100 V	1000 MΩ Min	
3	Electrostatic capacitance	C	1.0 kHz	2.0 pF Max	
4	Life test	-	Peak current	500 A Max	Initial breakdown voltage 3900 V Max
			Switching frequency	50 Hz	
			Switching times	2 s ON / 3 s OFF	
			Ambient temperature	Room temperature	
			Test circuit		
Minimum number of switching is 2×10^5 times, according to the above condition.				Following breakdown Voltage 3000 V \pm 20%	
				Insulation resistance 100 MΩ Min (DC100 V)	

*1 The above-mentioned electric characteristics are regulations of during darkness.

*2 This product may discharge less than 2550 V that is lower limit of specification. This case is known as early ignition. Early ignition incidence is specified as maximum of 3 % by above test condition of section1 and section4



OKAYA ELECTRIC AMERICA, INC.

Spec No.	SS-022
Data	Oct 30, 2003
Version	First

5. Switching frequency

Maximum switching frequency : 200 Hz

6. Operating condition

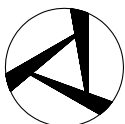
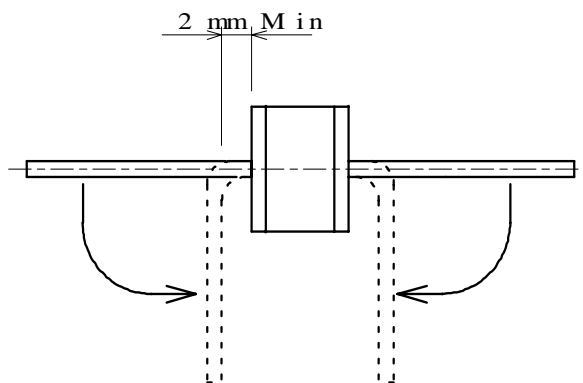
Operating temperature: -40C to +100C

7. Storage condition

Storage temperature : -40C to +100C

8. About forming

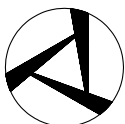
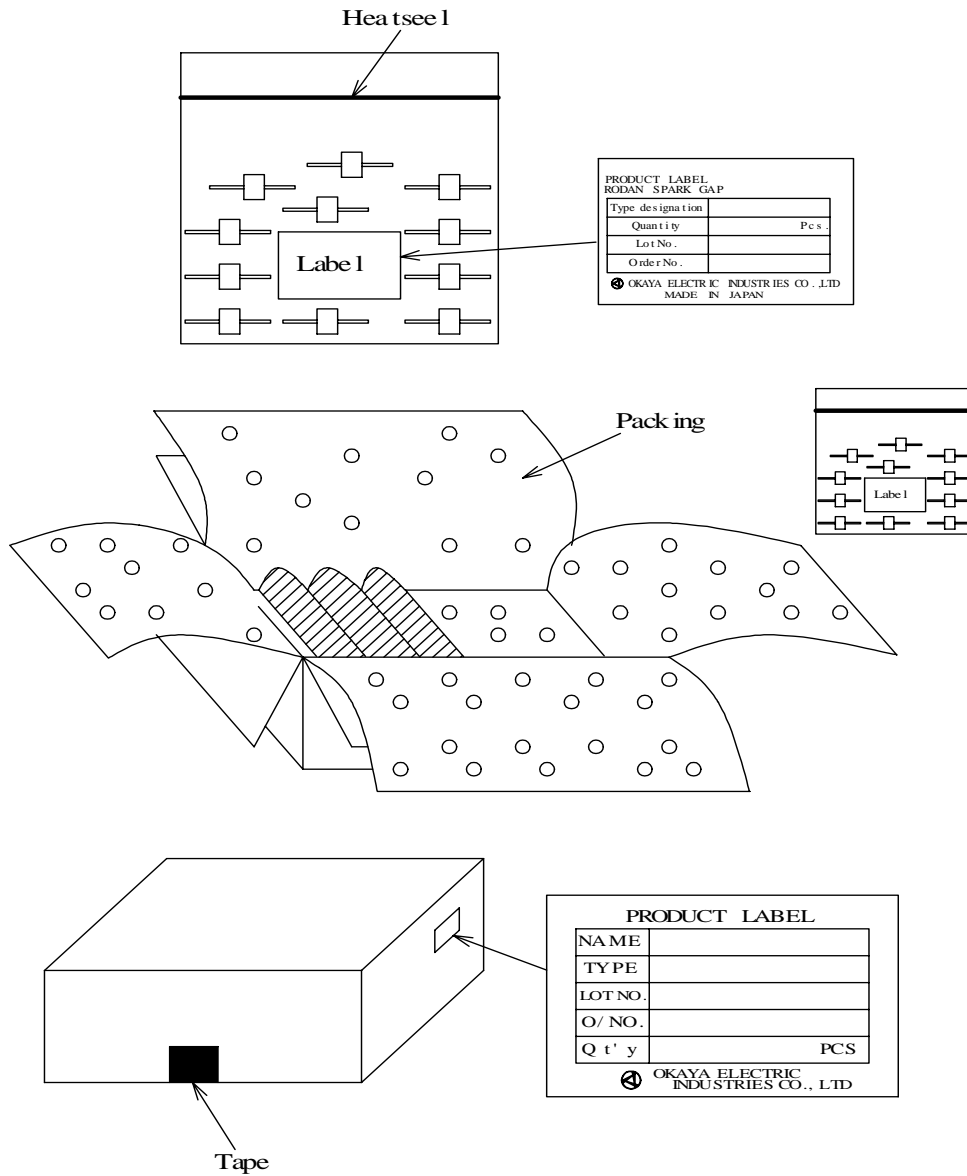
As regards forming of spark gap, please take distance more than 2mm from main body when you bend lead wire.
When performing a forming, please hold only lead wire and be careful not to give a stress on main body.

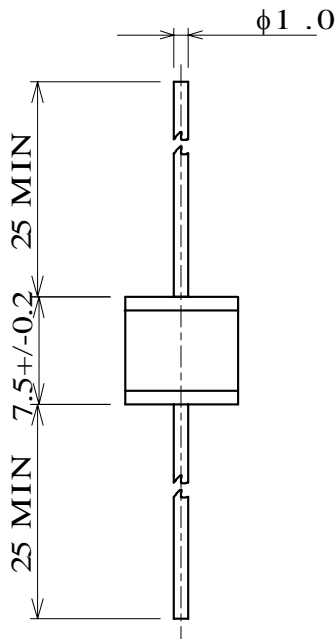
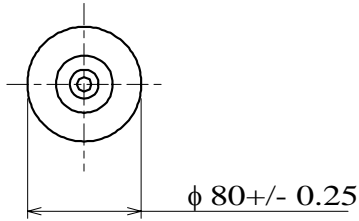


Spec No.	SS-022
Data	Oct 30, 2003
Version	First

9. Packing

Put 50 pcs. of RSG series and 1pc. of product label in a vinyl bag of specified size, seal the bag with a heatseal, put bags of quantity required a box, pack and stick product label on the box.





Weight : approx . 2g

Ver.	Rev . data	History of rev .	Date	Scale	Product name	
			2003 .8 .29	2 :1	Rodan spark gap	
					Type name	
					Outline dimension (Φ 8.0 X 7 .5L)	
					Drawing No .	
OKAYA ELECTRIC AMERICA, INC.					4 R - 4198 - Y85	4