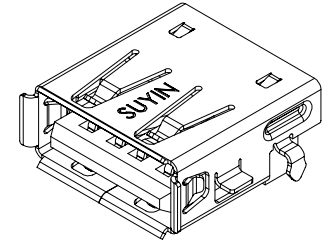


Recommended P.C.B Layout(Component Side)



註:Mark 大小請參考NO:2

NOTE: 020173MR004 □ 05ZA

1. Selective plating
  - 'G1,-05u" Min. gold in contact area.
  - 'G2,-Gold flash in contact area.
  - 'G3,-10u" Min. gold in contact area.
  - 'G4,-15u" Min. gold in contact area.
  - 'G5,-30u" Min. gold in contact area.
  - 'G6,-50u" Min. gold in contact area.
  - 'S1,-05u" Min. gold in contact area/  
100u" Min. Tin in solder area.
  - 'S2,-Gold flash in contact area/  
100u" Min. Tin in solder area.
  - 'S3,-10u" Min. gold in contact area/  
100u" Min. Tin in solder area.
  - 'S4,-15u" Min. gold in contact area/  
100u" Min. Tin in solder area.
  - 'S5,-30u" Min. gold in contact area/  
100u" Min. Tin in solder area.
  - 'S6,-50u" Min. gold in contact area/  
100u" Min. Tin in solder area.

Ⓜ 2 Base on SUYIN 2573A Series

4				
3	SHELL	BRASS	—	Nickel Plated
2	TERMINAL	Pho.Bronze	—	Gold/Tin Plated
1	HOUSING	LCP	Black	UL 94V-0
NO.	DESCRIPTION	MATERIAL	COLOR	REMARK

**SUYIN**  
CONNECTOR

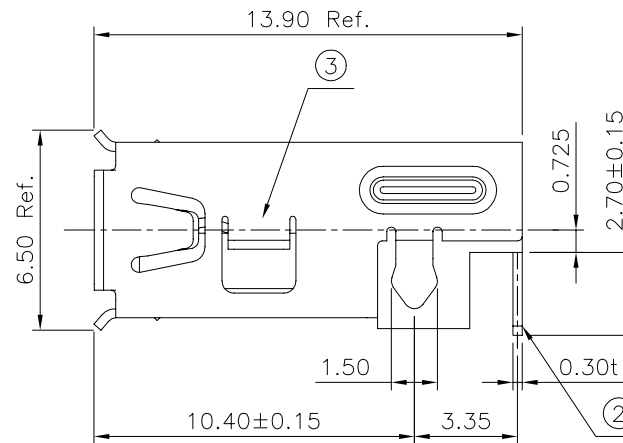
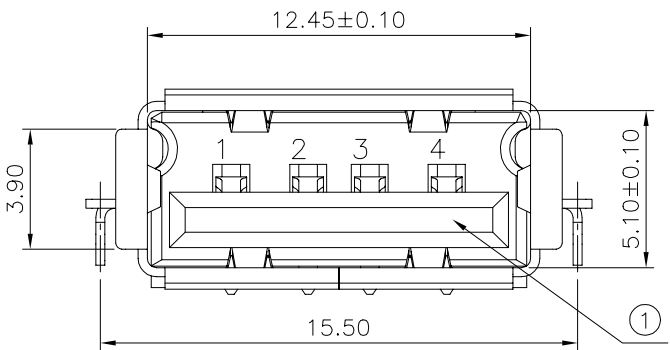
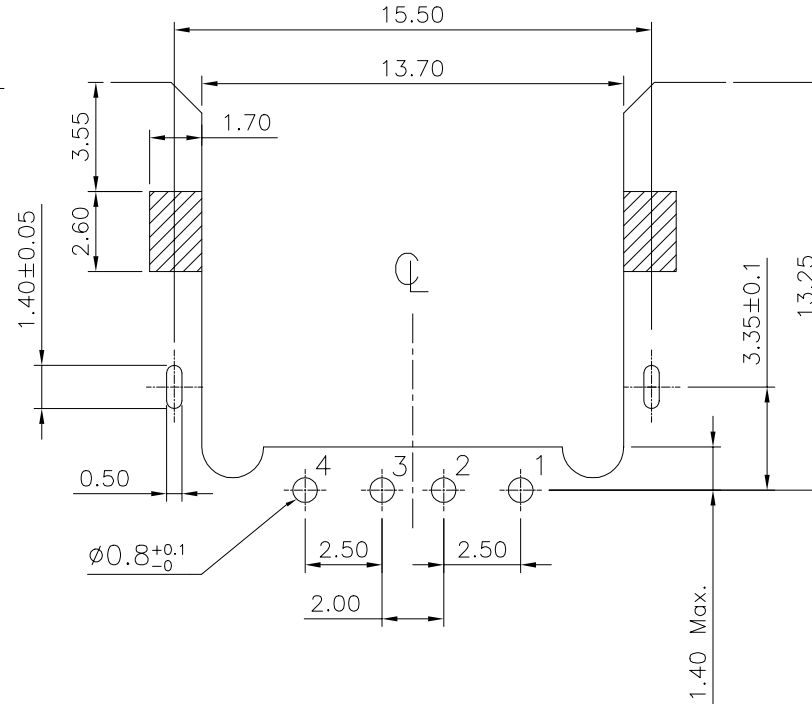
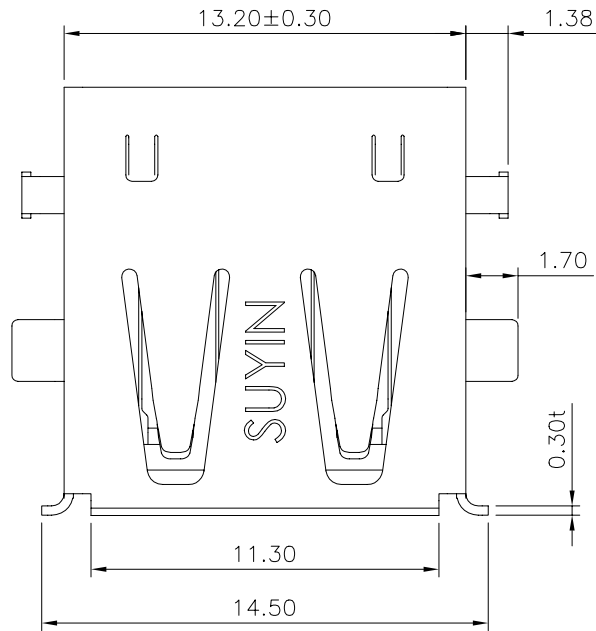
CUSTOMER COPY TITLE: USB Conn.  
R/A DIP Female Type

PART NO. 020173MR004XX05ZA

PART NO. (OLD)

DRAWING NO. 020173MR004XX05ZA

SCALE 4:1 UNIT mm A4



					Angle	±2°			
					30 ~	±0.50			
					10 ~ 30	±0.30			
					~ 10	±0.15			
ECN (DCN) NO.	REV	DATE	DESCRIPTION	CHANGE	APPRO.	GENERAL TOLERANCE UNLESS OTHERWISE NOTED	APPRO.		

DRAW	游文隆	02/10/28
DESIGN	薛梅	02/10/28
CHECK	宋權哲	02/10/28
APPRO.	宋權哲	02/10/28

PART NO.	020173MR004XX05ZA
PART NO. (OLD)	
DRAWING NO.	020173MR004XX05ZA
SCALE	4:1
UNIT	mm
A4	