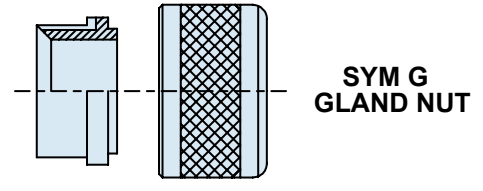
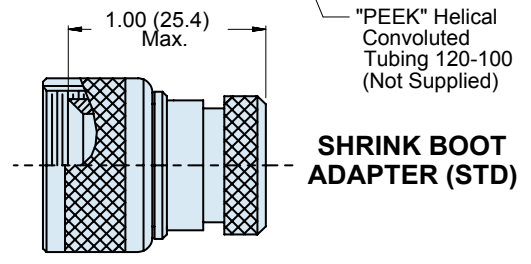
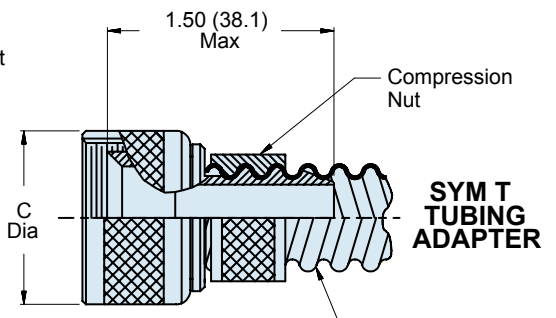
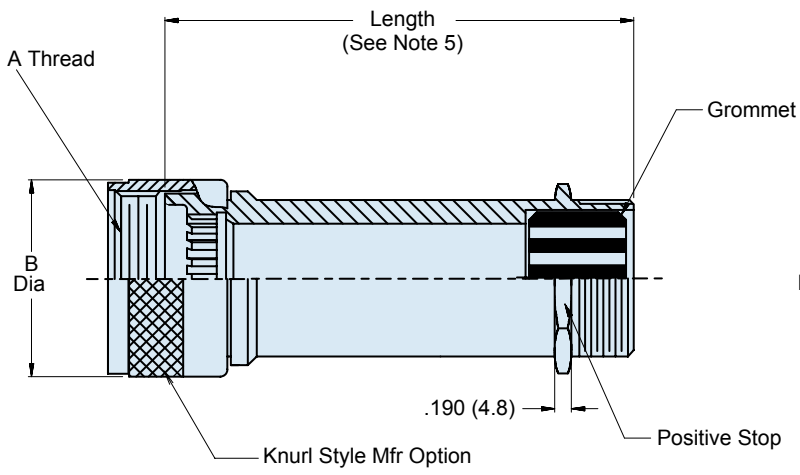
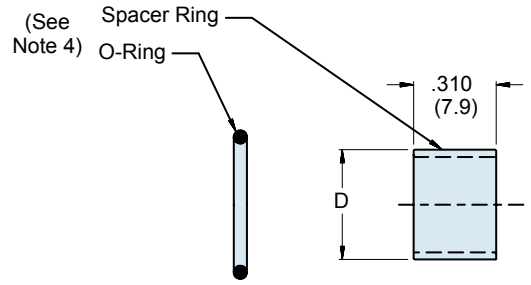
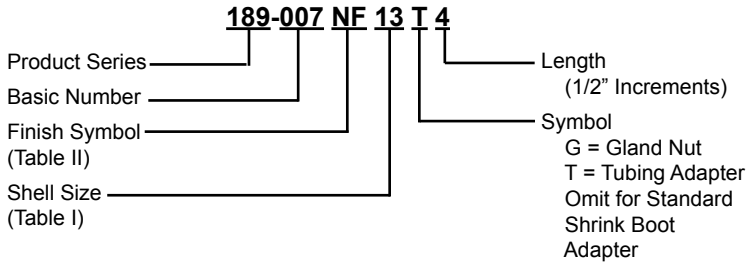




# 189-007 Fiber-Con Backshell for MIL-PRF-28876 Connectors



- ### APPLICATION NOTES
1. Assembly identified with manufacturer's name and P/N, space permitting.
  2. Glenair 600 series Backshell assembly tools are recommended for assembly and installation.
  3. Material/ Finish:  
Adapters, Coupling Nuts, Ferrule, Compression Nut, Spacer Ring- Al Alloy  
Grommet- Fluorosilicone/ N.A.  
O-Ring- Fluorosilicone/ N.A.
  4. Spacer Ring and O-Ring are packaged loose and must be installed with connector at the time of assembly. The spacer is utilized to retain the Terminus Insert
  5. Standard minimum order is 1.5 inch consult factory for shorter length.
  6. Metric dimensions (mm) are indicated in parentheses.

**189-007**  
**Fiber-Con Backshell**  
**for MIL-PRF-28876 Connectors**



**TABLE I: SHELL SIZE**

Shell Size	Designator (Ref)	A Thread Class 2B	B Max	C Max	D Max	Conduit Size	No. of Holes
11	A	3/4 - 20 UNEF	1.028 (26.1)		.410 (10.4)	12	2
13	B	7/8 - 20 UNEF	1.141 (29.0)	1.120 (28.4)	.532 (13.5)	16	4
15	C	1 - 20 UNEF	1.263 (32.1)	1.340 (34.0)	.710 (18.0)	24	8

**TABLE II: FINISH**

SYM	MATERIAL	FINISH
<b>NF</b>	Aluminum	Cadmium/Olive Drab over Electroless Nickel (500 Hr. Salt Spray)
<b>B</b>	Aluminum	Cadmium Plate/Olive Drab
<b>J</b>	Aluminum	Gold Iridite over Cadmium Plate over Nickel
<b>N</b>	Aluminum	Cadmium Plate/Olive Drab over Nickel
<b>M</b>	Aluminum	Electroless Nickel
<b>T</b>	Aluminum	Cadmium Plate/Bright Dip over Nickel