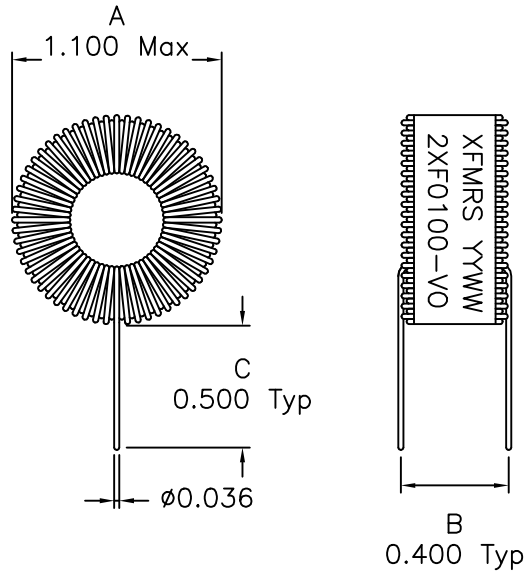


1. Mechanical Dimensions:



2. Schematic:



3. Electrical Specifications:

Inductance: 100uH $\pm 10\%$ @1.0KHz,1.0V

Current Rating: 3.0ADC

DC Resistance: 0.050 Ohms Max.

Note:

1. Solderability: Leads shall meet MIL-STD-202, Method 208D for solderability.
2. Flammability: UL94V-0,
3. ASTM oxygen index: > 28% ,
4. Temperature rating: 155°C. UL file E151556,
5. Operating Temperature Range: 0°C to +70°C
6. the tinned length is the same as the lead length.

DOC. REV. A/1

XFMRS Inc.	Title: Toroid Inductor		
	UNLESS OTHERWISE SPECIFIED		P/N: 2XF0100-V0
	TOLERANCES:		REV. A
	.xxx ± 0.010		DWN. 李小锋 Jun-07-01
Dimensions in Inch		CHK. 廖玉坤 Jun-07-01	
SHEET 1 OF 1		APP. BW Jun-07-01	