

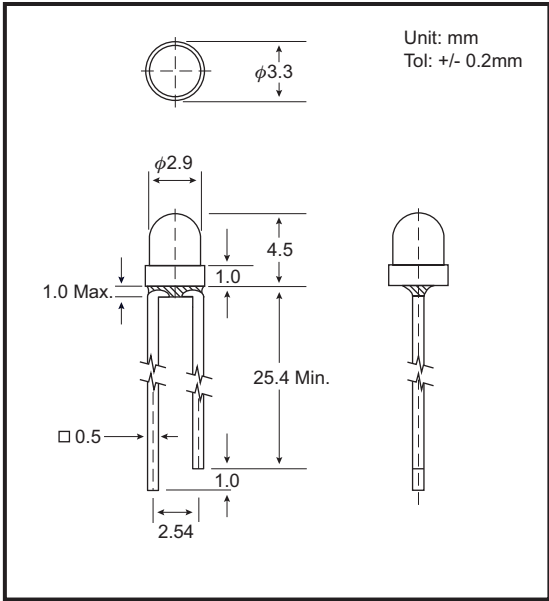
DESCRIPTION:

The 264 series is widely used in general purpose indicator applications. It is in popular 3mm diameter package and low profile height. The semi-conductor materials used are:
 GaP for (264HD/HT, 264GC/GD/GT)
 GaAsP/GaP for (264RHC/RHD/RHT, 264YC/YD/YT and 264SD)

ABSOLUTE MAXIMUM RATINGS: (Ta=25°C)

Reverse Voltage	5 Volt
Reverse Current (Vr =5V)	100µA
Operating Temperature Range	-40°C To 85°C
Storage Temperature Range	-40°C To 100°C
Lead Soldering Temperature (1.6mm (1/16)From Body)	260°C For 5 Seconds

- NOTES : 1. All dimensions are in millimeters.
 2. Lead spacing is measured where the leads emerge from the package.
 3. Protuded resin under flange is 1.5 mm (0.059") Max.
 4. Specifications are subject to change without notice.

PACKAGE DIMENSIONS

PART NO. SELECTION AND APPLICATION INFORMATION (RATINGS AT 25°C AMBIENT)

Part No.	Emitted Color	Lens Color	Peak Wavelength λp (nm)	Vf (v)		Rec. If (mA).	Iv (mcd)		View Angle 2θ1/2(Deg)
				Min	Max		Min	Typ.	
GB-264HD	Red	Red Diffused	697	1.7	2.6	5-10	2.0	4.5	66
GB-264RHD	Bright Red	Red Diffused	660	1.7	2.6	10-20	16.0	36.0	66
GB-264GD	Green	Green Diffused	565	1.7	2.6	10-20	14.0	32.0	66
GB-264YD	Yellow	Yellow Diffused	585	1.7	2.6	10-20	11.0	30.0	66
GB-264SD	Orange	Orange Diffused	610	1.7	2.6	10-20	36.0	80.0	66
GB-264HT	Red	Red Trans.	697	1.7	2.6	5-10	2.9	6.3	45
GB-264RHT	Bright Red	Red Trans.	660	1.7	2.6	10-20	23.0	50.0	45
GB-264GT	Green	Green Trans.	565	1.7	2.6	10-20	20.0	45.0	45
GB-264YT	Yellow	Yellow Trans.	585	1.7	2.6	10-20	19.0	42.0	45
GB-264RHC	Bright Red	Water Clear	660	1.7	2.6	10-20	23.0	50.0	45
GB-264GC	Green	Water Clear	565	1.7	2.6	10-20	14.0	32.0	45
GB-264YC	Yellow	Water Clear	585	1.7	2.6	10-20	19.0	42.0	45

TESTING CONDITION FOR EACH PARAMETER :

PARAMETER:	SYMBOL	UNIT	TEST CONDITION
REVERSE VOLTAGE	Vr	VOLT	Vr = 5.0 Volt
REVERSE CURRENT	Ir	µA	If = 20mA
FORWARD VOLTAGE	Vf	VOLT	If = 20mA
LUMINOUS INTENSITY	Iv	MCD	If = 20mA
VIEWING ANGLE	2θ1/2	DEGREE	
RECOMMENDED OPERATING CURRENT	If (Rec)	mA	

